

The worlds smallest compressor based air conditioner! This unit is small! Can be used in multiples to provide precise BTU control.

Standard Features

- Digital temperature controller with alarm
- Built-in condensate evaporator
- Durable 16 gauge welded steel construction
- Efficient, quiet, long lasting rotary compressor
- Environment friendly HFC refrigerant
- Easy pull-out filter
- Space saving aesthetic cabinet design
- Designed to mount on side of enclosure while maintaining NEMA type 12, 3R, 4, or 4X integrity



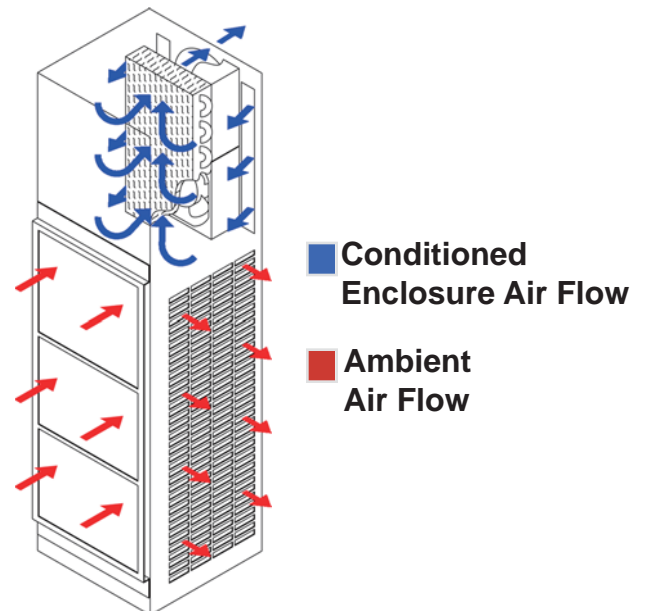
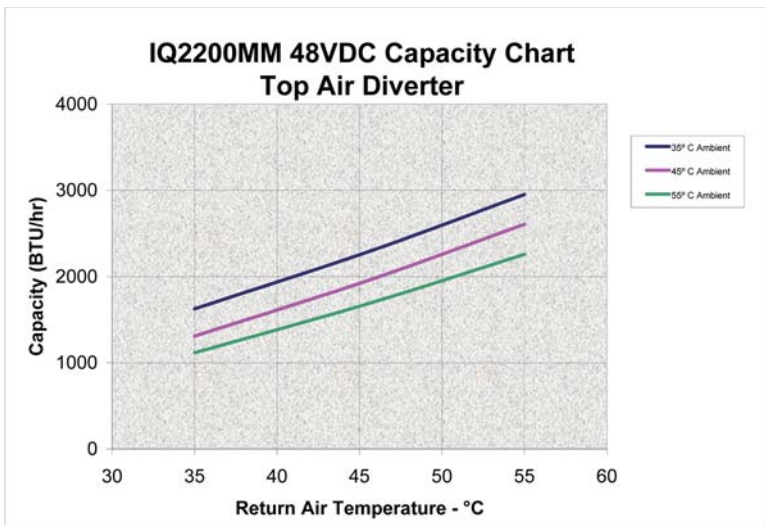
Right Side
Heat Discharge

Options & Accessories

- Stainless Steel
- Remote Controller Kit
- Replacement Filters
- Corrosive Packages

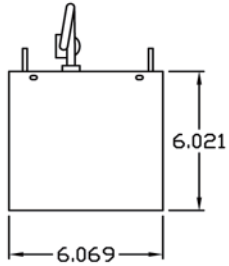
Technical Data

Model	BTU	Volts	Max Amps	Weight (lbs.)	Dimensions
IQ2200MMR-48	2200	48VDC	9.0	22	22.42"H x 6.07"W x 6.02"D

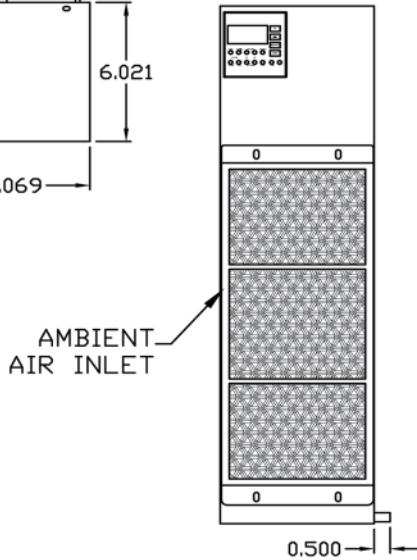


Drawings are for illustration purposes only. Data is subject to change.

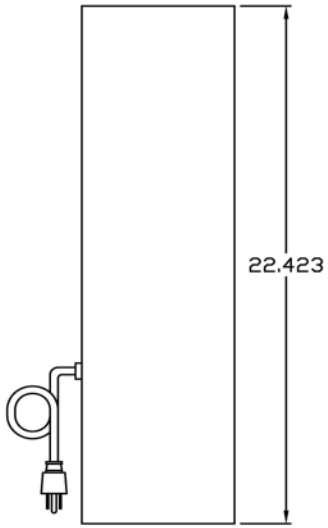
IQ2200MM TOP VIEW



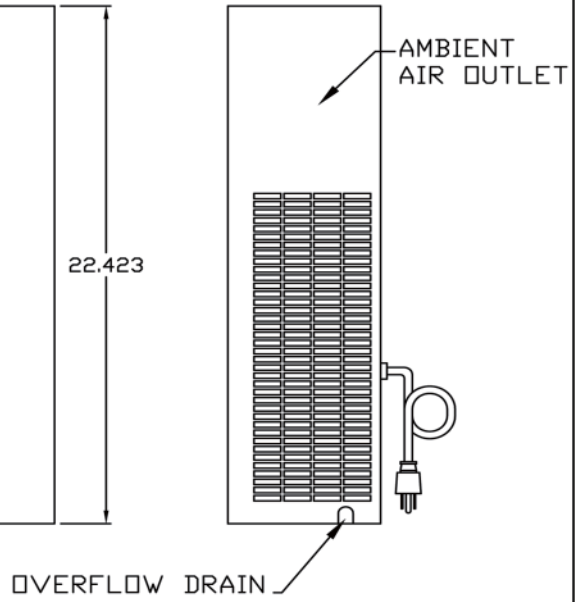
IQ2200MM FRONT VIEW



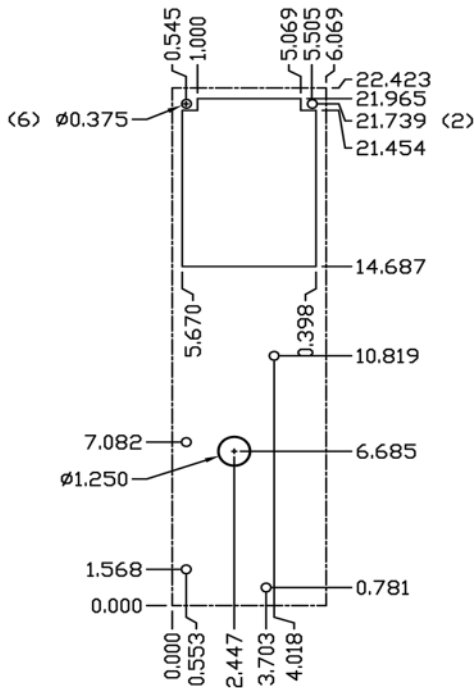
IQ2200MM LEFT SIDE



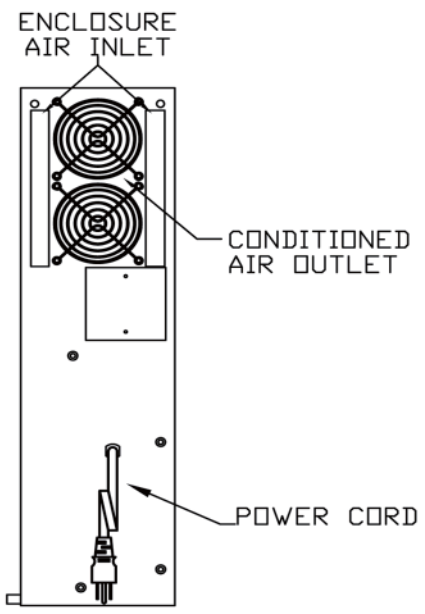
IQ2200MM RIGHT SIDE



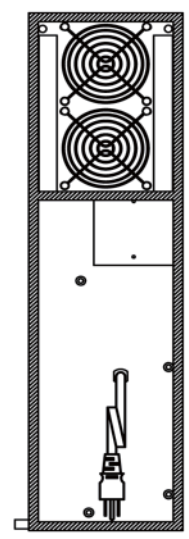
IQ2200MM CUT OUT DRAWING



IQ2200MM REAR VIEW



IQ2200MM GASKET DRAWING



IMPORTANT
GASKET MUST BE APPLIED AS SHOWN FOR PROPER OPERATION AND TO MAINTAIN NEMA INTEGRITY