

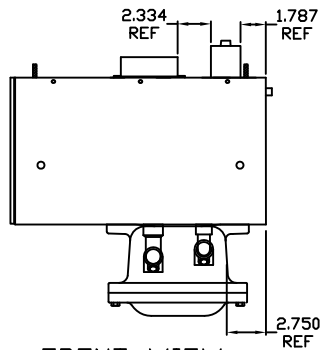
HAZARDOUS LOCATION
 IQ8000VHA, IQ10000V AND IQ12000V SPEC DRAWING REV 4

IQ10000V
 COOLING CAPACITY: 10000 BTUH @131°F
 MAXIMUM AMPS 15.1 @ 120V 60HZ
 MAXIMUM AMPS 7.9 @ 230V 60HZ
 MAXIMUM OPERATING TEMP.: 131°F
 DIMENSIONS: 52.09"H X 17.65"W X 10.34"D
 WEIGHT 159 LBS

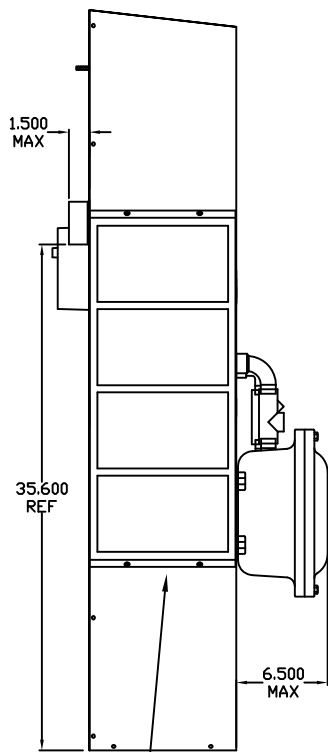
IQ12000V
 COOLING CAPACITY: 12000 BTUH @131°F
 MAXIMUM AMPS 19.6 @ 120V 60HZ
 MAXIMUM AMPS 9.8 @ 230V 60HZ
 MAXIMUM OPERATING TEMP.: 131°F
 DIMENSIONS: 52.09"H X 17.65"W X 10.34"D
 WEIGHT 159 LBS

IQ8000VHA
 COOLING CAPACITY: 8000 BTUH @135°F
 MAXIMUM AMPS 14.7 @ 120V 60HZ
 MAXIMUM AMPS 7.8 @ 230V 60HZ
 MAXIMUM OPERATING TEMP.: 135°F
 DIMENSIONS: 52.09"H X 17.65"W X 10.34"D
 WEIGHT 159 LBS

IQ8000VHA
 IQ10000V
 IQ12000V
 TOP VIEW

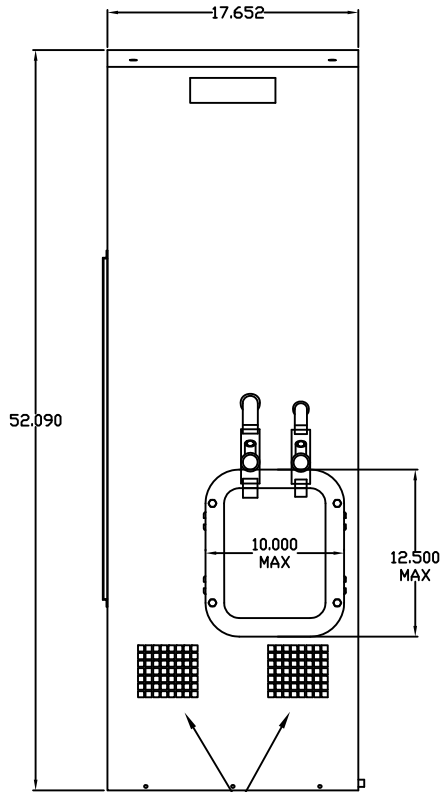


LEFT SIDE



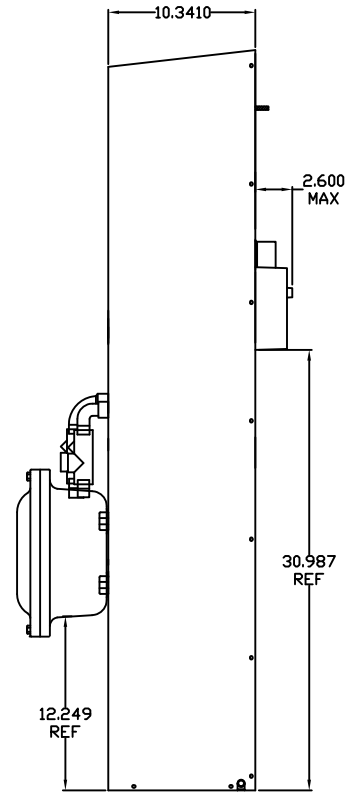
AMBIENT
 AIR INLET

FRONT VIEW

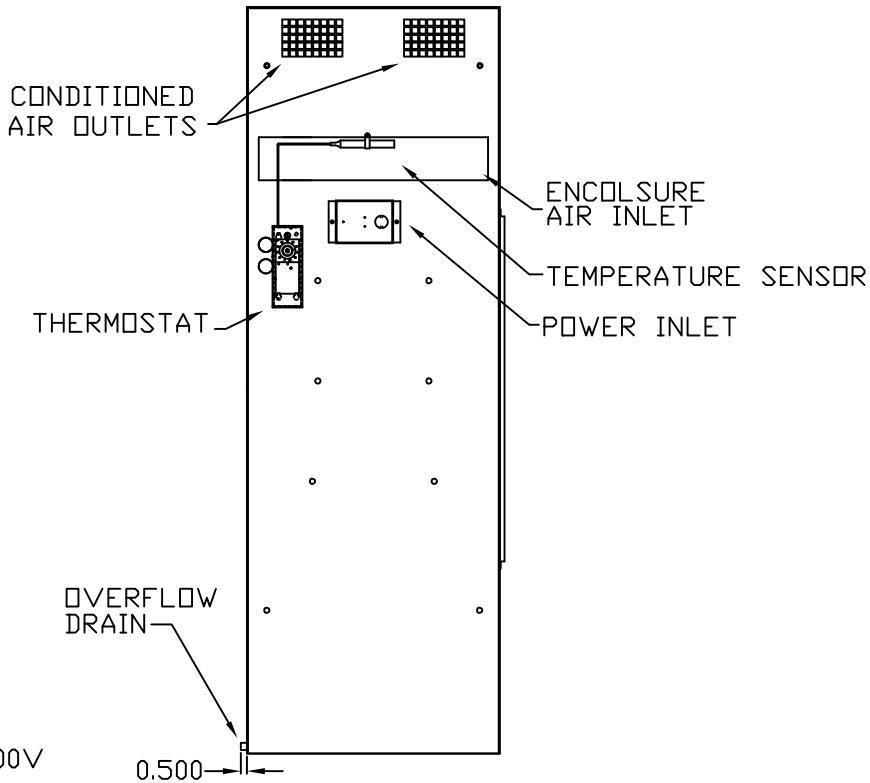


AMBIENT
 AIR OUTLETS

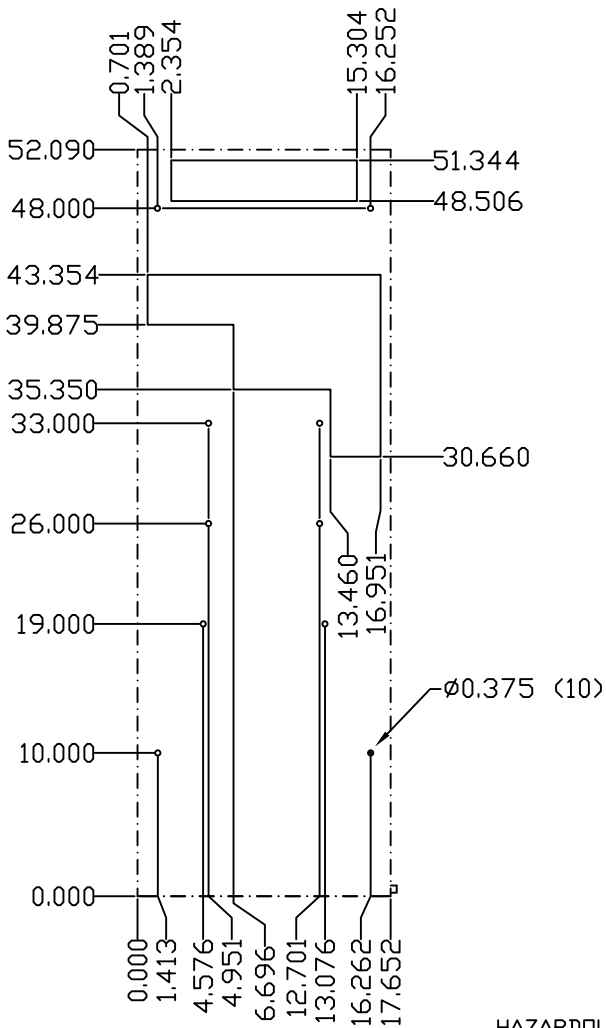
RIGHT SIDE



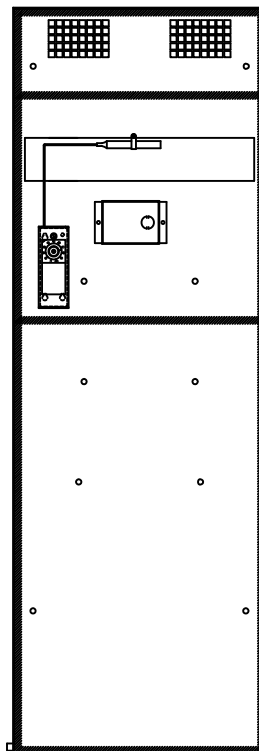
IQ8000VHA, IQ10000V, IQ12000V
REAR VIEW



HAZARDOUS LOCATION
IQ8000VHA, IQ10000V, IQ12000V
CUTOUT DRAWING



HAZARDOUS LOCATION
IQ8000VHA, IQ10000V, IQ12000V
GASKET DRAWING



IMPORTANT
GASKET MUST BE
APPLIED AS SHOWN
FOR PROPER OPERATION
AND TO MAINTAIN
NEMA INTEGRITY

HAZARDOUS LOCATION CERTIFICATIONS
UL/ETL: CLASS 1 DIVISION 2 GROUPS B, C & D
ETL: CLASS 1 ZONE 2 GROUP IIB

TEMPERATURE CODE:

UL: T4
ETL: T3

REV	DESCRIPTION	DATE	CHECKED
4	ADDED UL/ETL CERTIFICATIONS & TEMP CODES	1-16-11	JJH
3	UPDATED MAX OPERATING TEMPS	7-12-10	JJH
2	UPDATED AMPS & LBS	3-15-10	JJH
1	CHANGED THERMOSTAT	1-30-06	JJH
0	INITIAL RELEASE	3-05-04	GFD

PROPRIETARY DRAWING
DATE: 3-05-04
SHEET 1 OF 2

IQ10/12V/8VHA
IQ271010 4