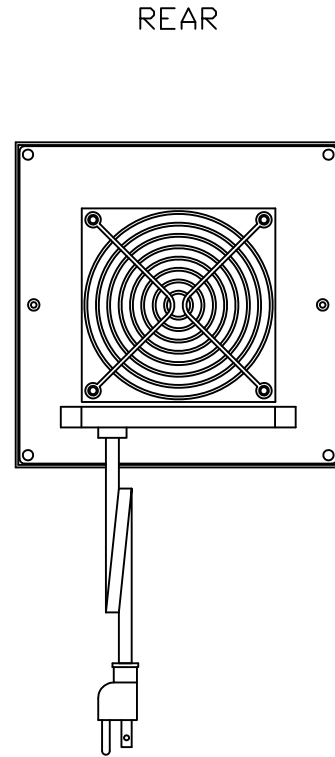
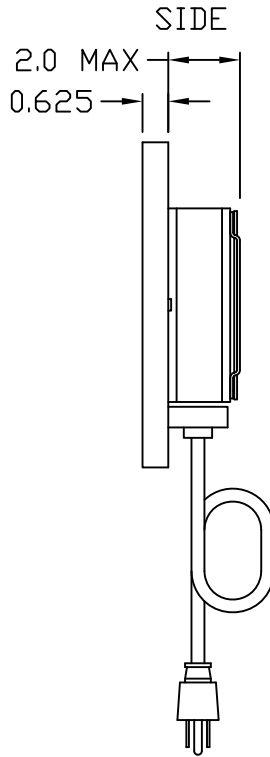
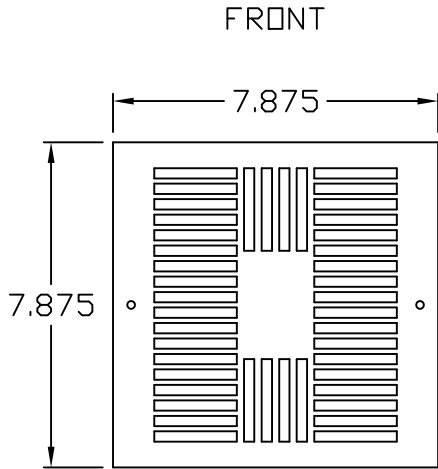
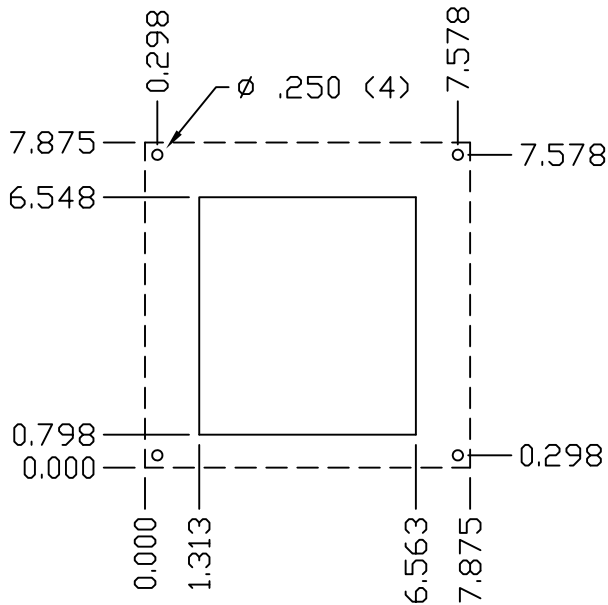


IQ100FP SPEC DRAWING

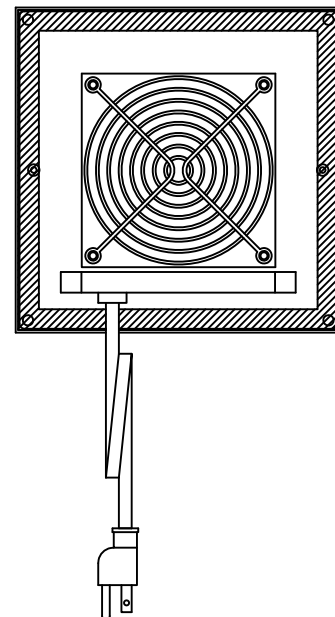
105/80 CFM FREE AIR @ 120/110 VAC 60/50 HZ
 105/80 CFM FREE AIR @ 230/220 VAC 60/50 HZ
 MAXIMUM AMPS : .14/.15 @ 120/110 VAC 60/50 HZ
 MAXIMUM AMPS : .09/.10 @ 230/220 VAC 60/50 HZ
 MAXIMUM OPERATING TEMPERATURE : 176°F



IQ100FP
 CUTOUT DRAWING



GASKET
 DRAWING



0	INITIAL RELEASE	5-15-08	JJH
REV	DESCRIPTION	DATE	CHECKED
	REVISIONS		

PROPRIETARY DRAWING
 THIS DRAWING IS THE PROPERTY OF ICE
 GUBE, INC. AND IS NOT TO BE REPLICATED
 OR ALTERED WITHOUT AUTHORIZATION OF
 ICE GUBE, INC.

DRAWN	GFD	SCALE	NONE
DATE	5-15-08		
SHEET 1 OF 1			

	<small>INDUSTRIAL COOLING EQUIPMENT 346 MILLER AVENUE HICKORY, PA 15850 724-837-8204 • 1-800-967-8204 FAX 724-837-8200</small>	
	PART NAME	REV
	IQ100FP	
DWG NO	IQ280304	0