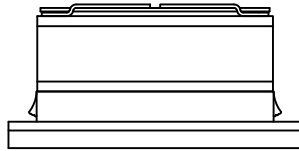


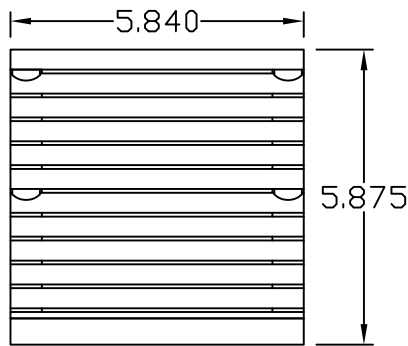
IQ100FPP SPEC DRAWING

105/80 CFM FREE AIR @ 120/110 VAC 60/50 HZ
 105/80 CFM FREE AIR @ 230/220 VAC 60/50 HZ
 MAXIMUM AMPS : .14/.15 @ 120/110 VAC 60/50 HZ
 MAXIMUM AMPS : .09/.10 @ 230/220 VAC 60/50 HZ
 MAXIMUM OPERATING TEMPERATURE : 176°F
 WEIGHT: 1.5 LBS

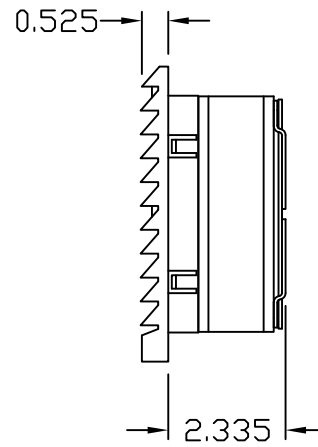
TOP



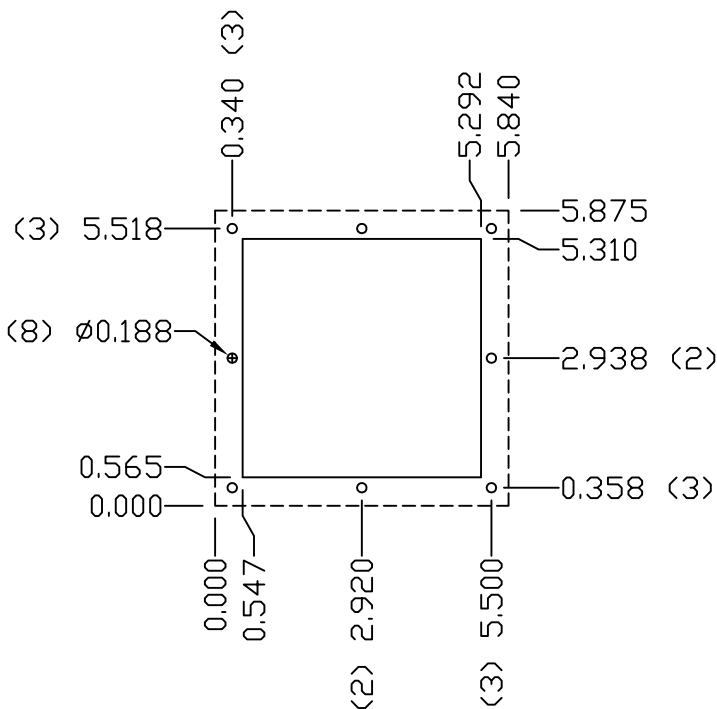
FRONT



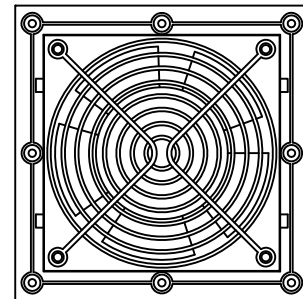
RIGHT SIDE



IQ100FPP
 CUTOUT DRAWING



IQ100FPP
 REAR VIEW



1	UPDATED SPEC	11-14-08	JMH
0	INITIAL RELEASE	9-9-08	JMH
REV	DESCRIPTION	DATE	CHECKED
	REVISIONS		

PROPRIETARY DRAWING
 THIS DRAWING IS THE PROPERTY OF ICE
 GEAR, INC. AND IS NOT TO BE REPLICATED
 OR ALTERED WITHOUT AUTHORIZATION OF
 ICE GEAR, INC.

DRAWN	JMH	SCALE	NONE
DATE	9-9-08		
SHEET 1 OF 1			

ICEgear		INDUSTRIAL COLL. DR. EQUIPMENT 245 MILLER AVENUE HICKORY, PA 15850 724-837-8204 • 1-800-967-8204 FAX 724-837-8200	
PART NAME		IQ100FPP	
DWG NO	IQ280815	REV	1