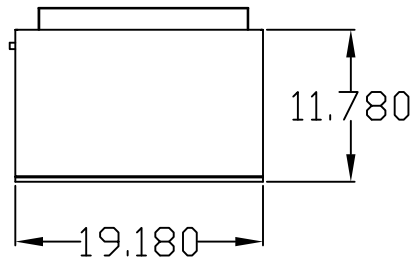


IQ10000VB
 COOLING CAPACITY: 10000 BTUH @131°F
 MAXIMUM AMPS: 7.7 @ 230 VAC / 60HZ
 MAXIMUM OPERATING TEMP.: 131°F
 DIMENSIONS: 50.07"H X 19.18"W X 11.78"D
 WEIGHT: 165 LBS

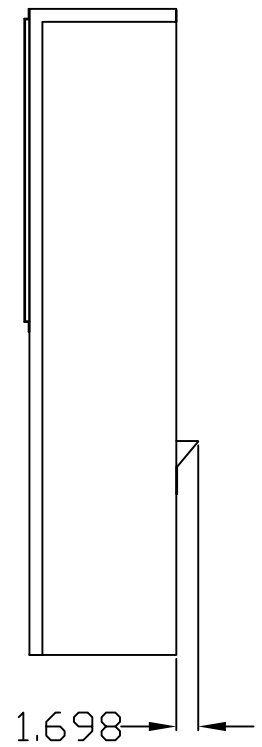
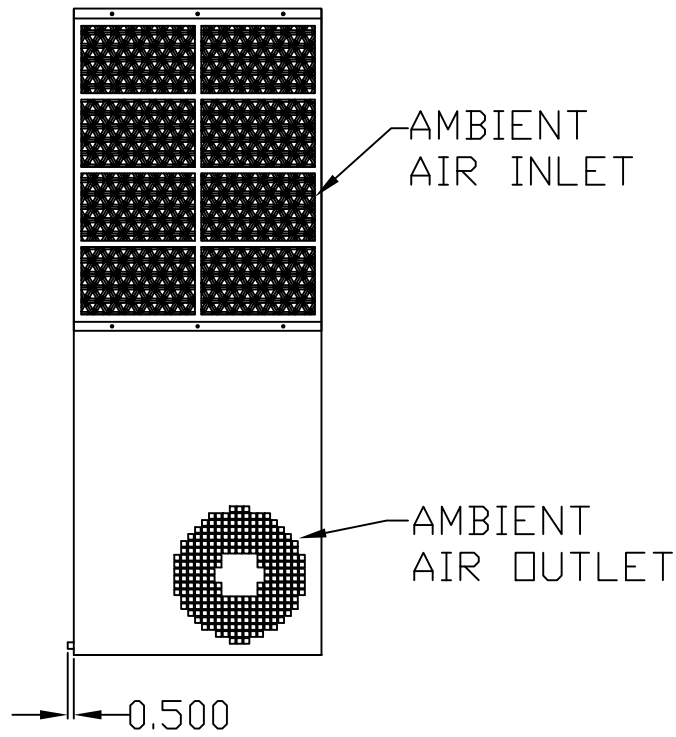
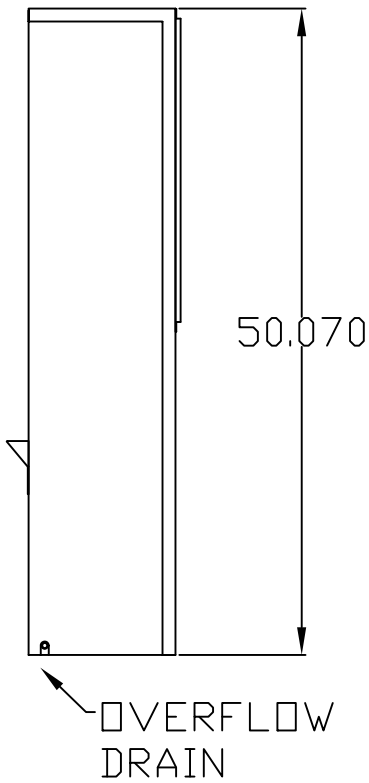
IQ10000VB
TOP VIEW



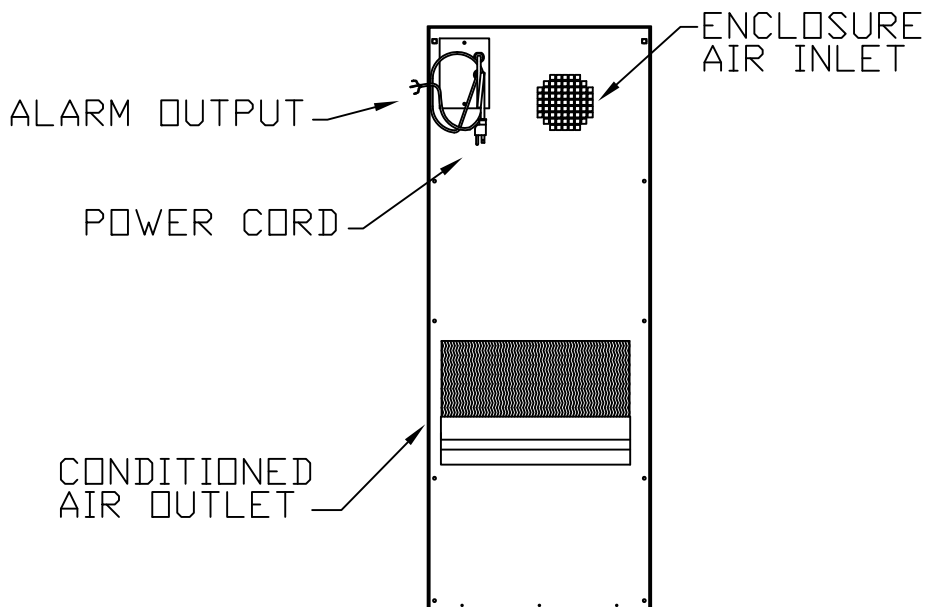
IQ10000VB
LEFT SIDE

IQ10000VB
FRONT VIEW

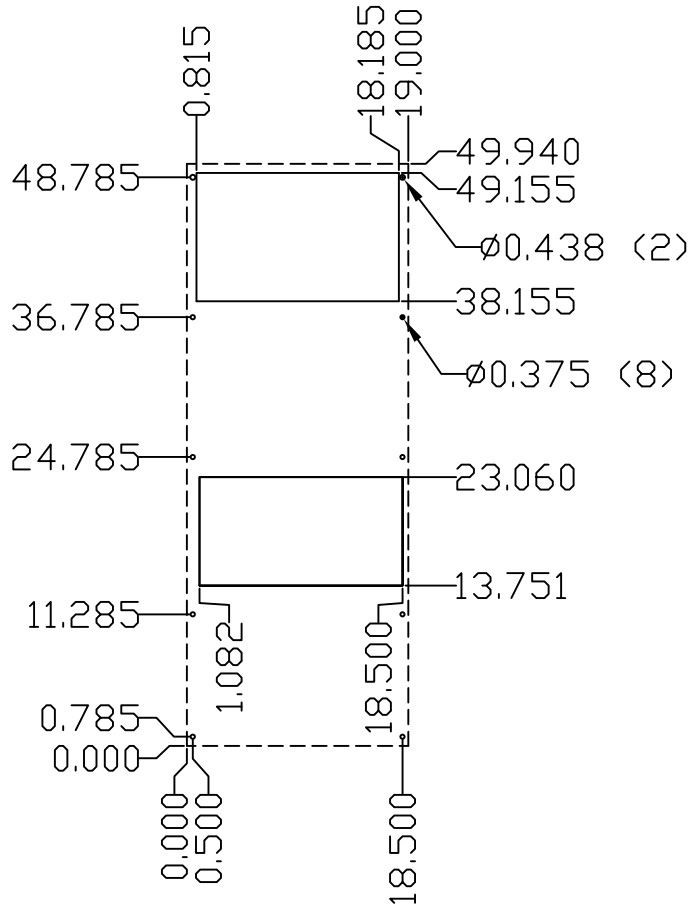
IQ10000VB
RIGHT SIDE



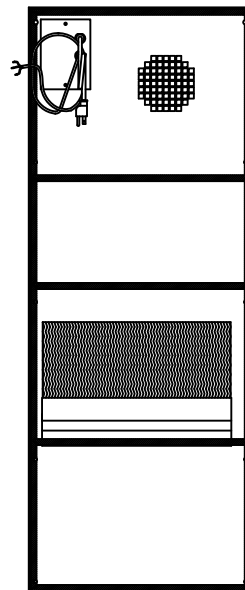
IQ10000VB
REAR VIEW



IQ10000VB
CUT OUT DRAWING



IQ10000VB
GASKET DRAWING



IMPORTANT
GASKET MUST BE
APPLIED AS SHOWN
FOR PROPER OPERATION
AND TO MAINTAIN
NEMA INTEGRITY

| REV | DESCRIPTION | DATE | CHECKED |
|-----|--------------------|----------|---------|
| 7 | UPDATE ENTIRE SPEC | 4-26-10 | MM |
| 6 | UPDATE CUTOUT | 2-27-09 | MM |
| 5 | UPDATE VIEW | 12-17-08 | MM |
| 4 | UPDATE VIEW | 11-17-08 | MM |
| 3 | UPDATE VIEW | 8-18-07 | MM |
| 2 | INITIAL RELEASE | 4-18-07 | MM |
| 1 | INITIAL RELEASE | 4-18-07 | MM |

| | | | |
|--|--|---------------------------|---|
| PROPRIETARY DRAWING ALL RIGHTS RESERVED © 2008 IQE | DATE: 2-9-07 SHEET 2 OF 2 | IQ10000VB SP1 IQ280219 | 7 |
| | Icube INDUSTRIAL CLIMATE CONTROL 20 MILLER AVENUE WILMINGTON, MA 01897 TEL: 978-250-1000 FAX: 978-250-1001 | | |