

HAZARDOUS LOCATION  
 IQ14000V, IQ17000V AND IQ20000V SPEC DRAWING REV 5

**IQ14000V**

COOLING CAPACITY: 14000 BTUH @131°F  
 MAXIMUM AMPS: 11.4 @ 230V 60HZ  
 MAXIMUM OPERATING TEMP.: 131°F  
 DIMENSIONS: 56.00"H X 20.06"W X 14.31"D  
 WEIGHT: 218 LBS.

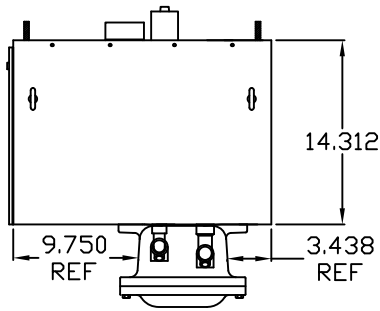
**IQ17000V**

COOLING CAPACITY: 17000 BTUH @131°F  
 MAXIMUM AMPS: 15.5 @ 230V 60HZ  
 MAXIMUM OPERATING TEMP.: 131°F  
 DIMENSIONS: 56.00"H X 20.06"W X 14.31"D  
 WEIGHT: 218 LBS.

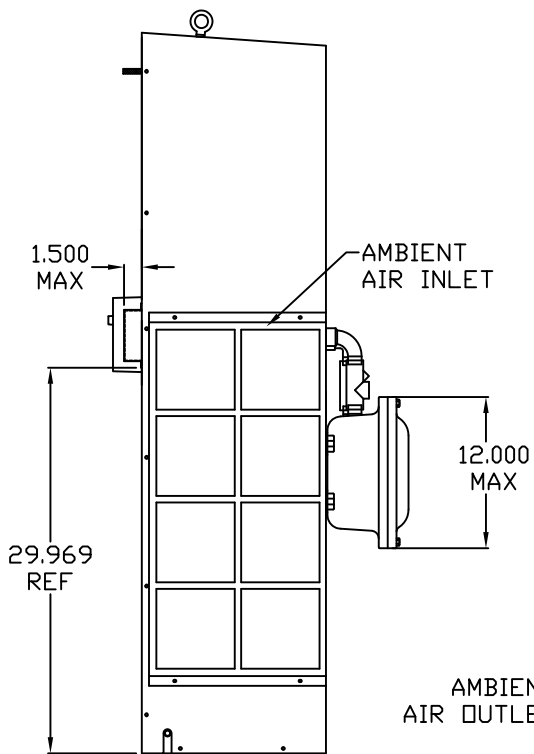
**IQ20000V**

COOLING CAPACITY: 20000 BTUH @131°F  
 MAXIMUM AMPS: 17.4 @ 230V 60HZ  
 MAXIMUM OPERATING TEMP.: 131°F  
 DIMENSIONS: 56.00"H X 20.06"W X 14.31"D  
 WEIGHT: 218 LBS.

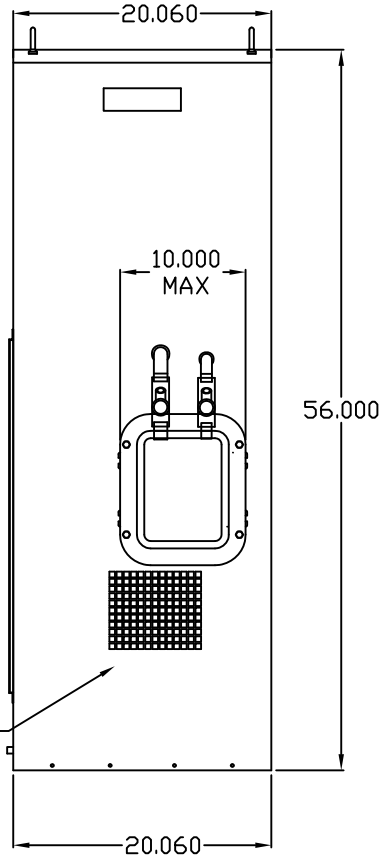
IQ14000V  
 IQ17000V  
 IQ20000V  
 TOP VIEW



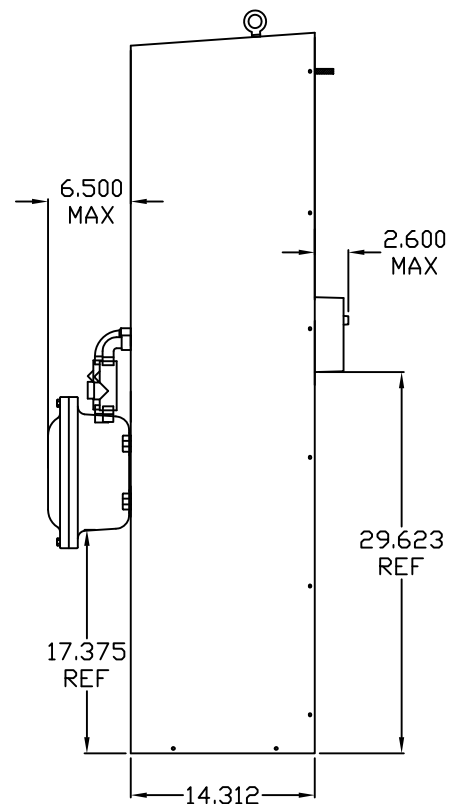
LEFT SIDE



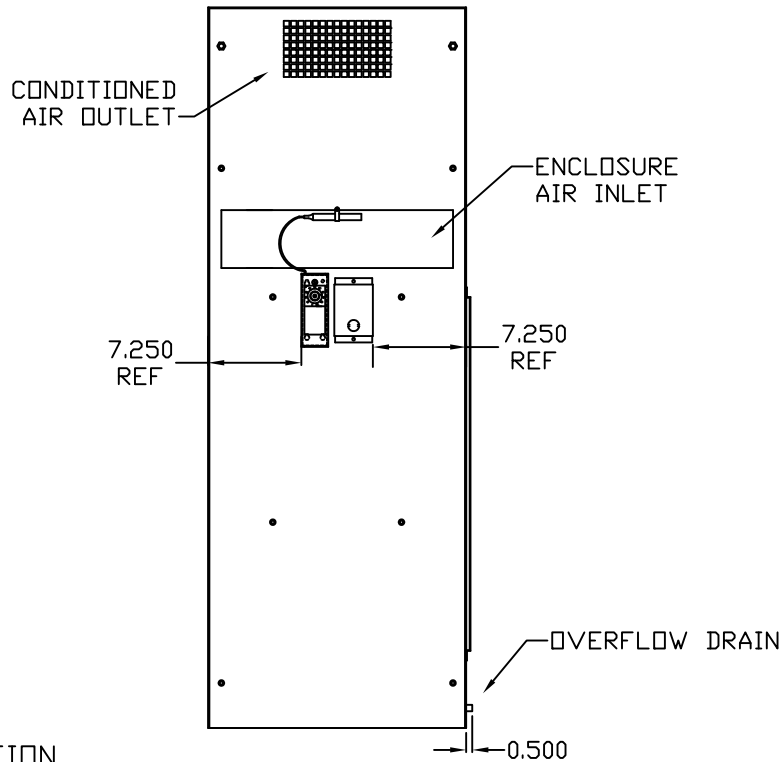
FRONT VIEW



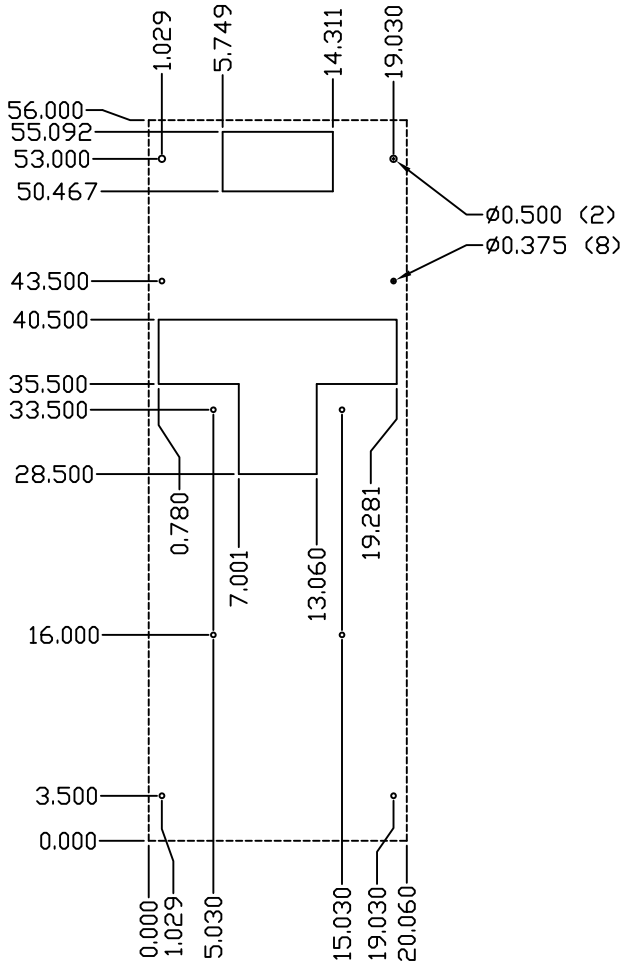
RIGHT SIDE



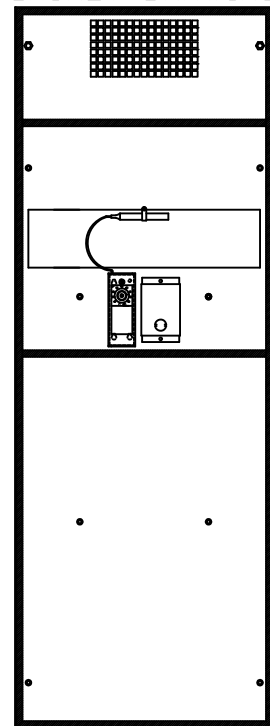
IQ14000V  
 IQ17000V  
 IQ20000V  
 REAR VIEW



HAZARDOUS LOCATION  
 IQ14000V, IQ17000V, 20000V  
 CUTOUT DRAWING



HAZARDOUS LOCATION  
 IQ14000, IQ17000, IQ20000V  
 GASKET DRAWING



**\*IMPORTANT\***  
 GASKET MUST BE  
 APPLIED AS SHOWN  
 FOR PROPER OPERATION  
 AND TO MAINTAIN  
 NEMA INTEGRITY

**HAZARDOUS LOCATION CERTIFICATIONS**

UL/ETL: CLASS 1 DIVISION 2 GROUPS B, C & D

ETL: CLASS 1 ZONE 2 GROUP IIB

TEMPERATURE CODE:

UL: T4

ETL: T3

REV	DESCRIPTION	DATE	CHECKED
3	ADDED UL/ETL CERTIFICATIONS & TEMP CODES	1-14-11	JLN
4	UPDATE MAX AMPS IQ2000V	10-6-10	JLN
3	UPDATE MAX OPERATING TEMP	7-20-10	JLN
2	UPDATE AMPS & LBS	2-10-10	JLN
1	CHANGED THERMISTAT	4-11-06	JLN
0	INITIAL RELEASE	6-20-04	DFB

PROPRIETARY DRAWING	DATE	REV	BY	CHKD	APP'D				
	6-01-04								
<table border="1"> <tr> <td>IQ14/17/20000V</td> <td>5</td> </tr> <tr> <td>IQ271011</td> <td>5</td> </tr> </table>						IQ14/17/20000V	5	IQ271011	5
IQ14/17/20000V	5								
IQ271011	5								