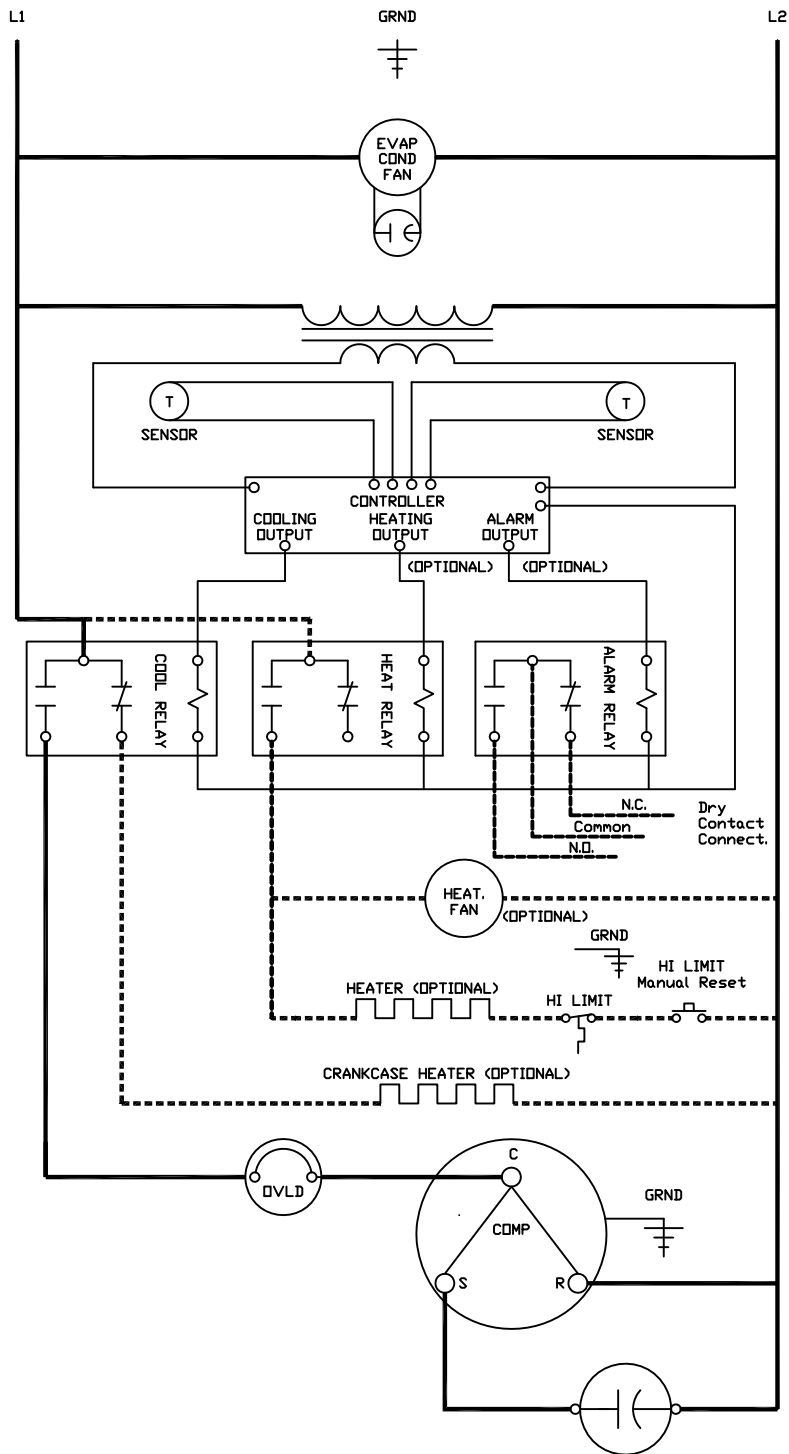


PROPRIETARY DRAWING  
 THIS DRAWING IS THE PROPERTY OF ICE  
 QUBE, INC. AND IS NOT TO BE DUPLICATED  
 OR ALTERED WITHOUT AUTHORIZATION OF  
 ICE QUBE, INC.

MODELS  
 IQ2200VB  
 IQ4000VB

# WIRING SCHEMATIC



## Legend

- Line Voltage
- Low Voltage
- Optional
- Compressor Overload
- Run Capacitor
- Temperature Sensor
- Wire Ground
- Open on rise thermostat
- Close on rise pressure switch
- Heater
- Transformer
- C Common
- S Start
- R Run

UNLESS OTHERWISE SPECIFIED  
 TOLERANCES:  
 .X ± .060" .XX ± .030"  
 .XXX ± .015"  
 FRACT ± 1/16" ANG ± 1/2°



INDUSTRIAL COOLING EQUIPMENT  
 141 WILSON AVENUE  
 GREENSBURG, PA 15601  
 724-837-2204 \* 1-888-967-8234  
 FAX 724-837-3386

PART NAME  
**IQ22-4000VB Schem.**

DATE 10-13-08

DWG NO

REV

SHEET 1 OF 1

**IQ281008**

0

### REVISIONS

REV	DESCRIPTION	DATE	CHECKED