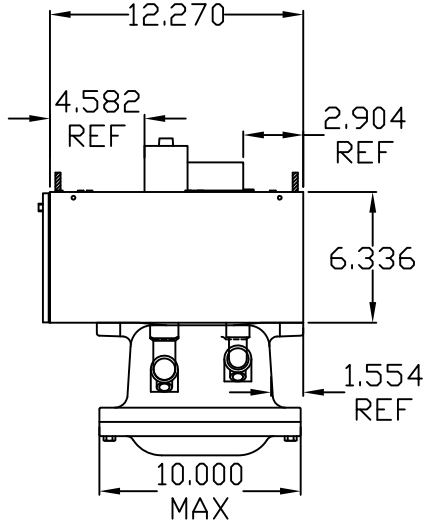


HAZARDOUS LOCATION  
IQ2200VS, IQ3000VS SPEC DRAWING REV 4

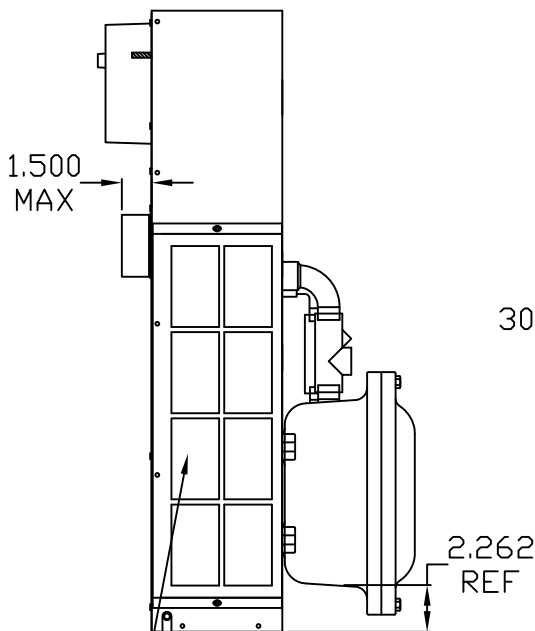
**IQ2200VS**  
 COOLING CAPACITY: 2200 BTUH @131°F  
 MAXIMUM AMPS: 6.6 @120V 60HZ  
 MAXIMUM AMPS: 3.3 @230 60HZ  
 MAXIMUM OPERATING TEMP.: 131°F  
 DIMENSIONS: 30.09"H X 12.27"W X 6.34"D  
 WEIGHT: 75 LBS

**IQ3000VS**  
 COOLING CAPACITY: 3000 BTUH @131°F  
 MAXIMUM AMPS: 6.9 @120V 60HZ  
 MAXIMUM AMPS: 3.4 @230 60HZ  
 MAXIMUM OPERATING TEMP.: 131°F  
 DIMENSIONS: 30.09"H X 12.27"W X 6.34"D  
 WEIGHT: 75 LBS

IQ2200VS  
IQ3000VS  
TOP VIEW

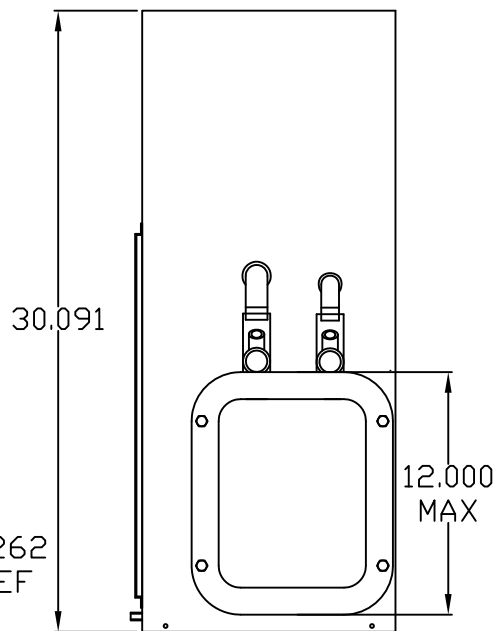


IQ2200VS  
IQ3000VS  
LEFT SIDE

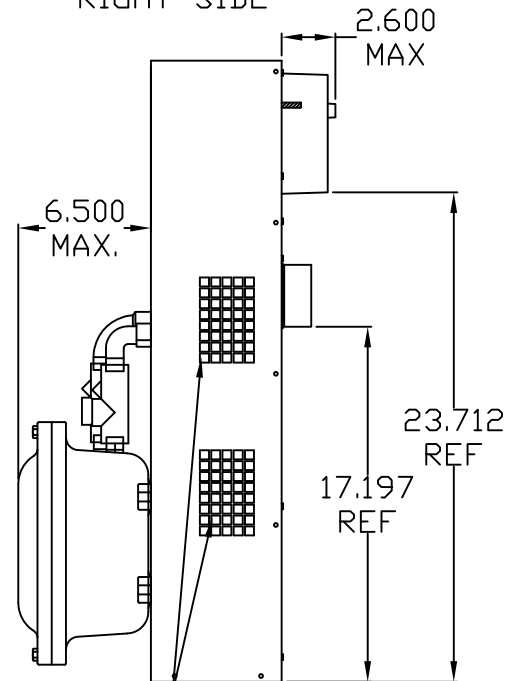


AMBIENT  
AIR INLET

IQ2200VS  
IQ3000VS  
FRONT VIEW



IQ2200VS  
IQ3000VS  
RIGHT SIDE



AMBIENT  
AIR OUTLETS

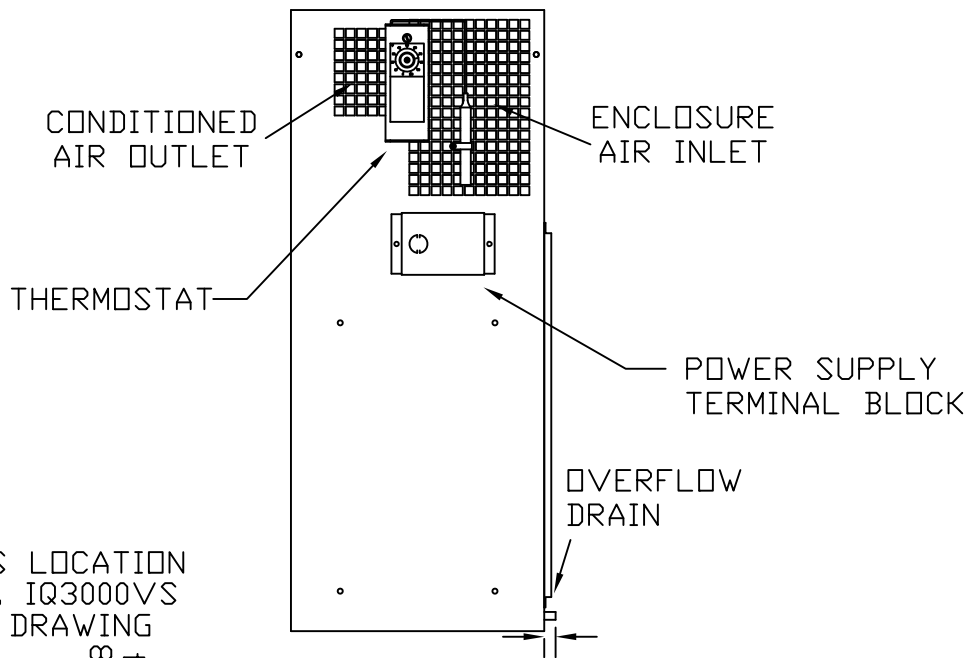
**Ice Cube** INDUSTRIAL COOLING EQUIPMENT  
 141 WILSON AVENUE  
 GREENSBURG, PA 15601  
 724-837-8204 • 1-888-867-8234  
 FAX 724-837-3286

PROPRIETARY DRAWING  
 THIS DRAWING IS THE PROPERTY OF ICE CUBE, INC. AND IS NOT TO BE REPRODUCED OR ALTERED WITHOUT AUTHORIZATION OF ICE CUBE, INC.

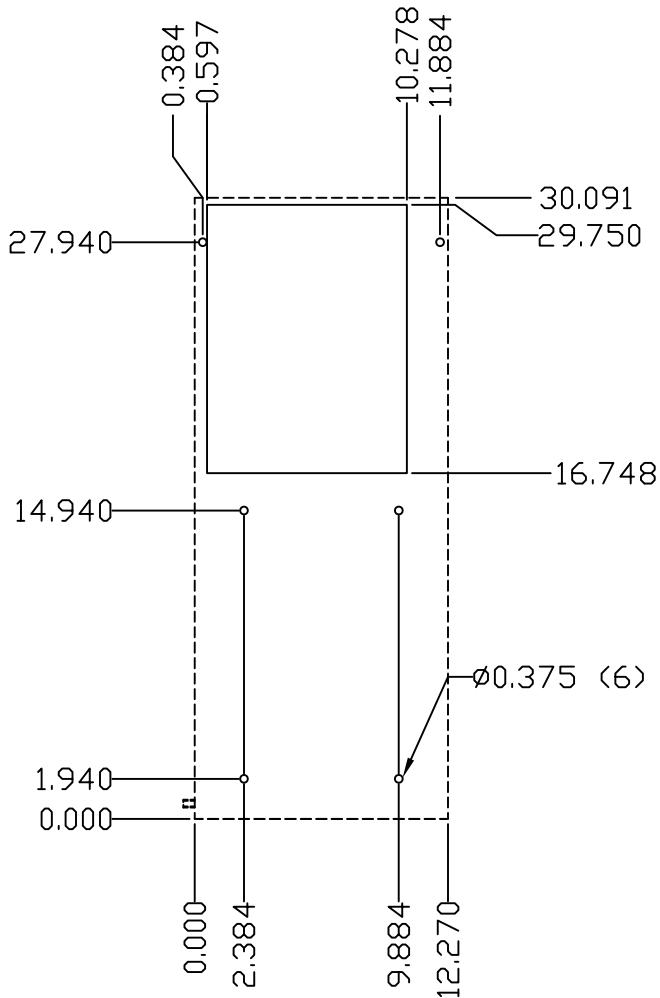
DRAWN GFD SCALE NONE  
 DATE 9-21-05  
 SHEET 2 OF 2

IQ22/3000VS  
 IQ271002 4

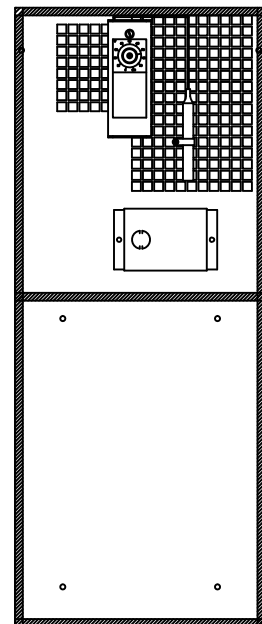
IQ2200VS  
IQ3000VS  
REAR VIEW



HAZARDOUS LOCATION  
IQ2200VS, IQ3000VS  
CUTOUT DRAWING



HAZARDOUS LOCATION  
IQ2200VS, IQ3000VS  
GASKET DRAWING



**\*IMPORTANT\***  
GASKET MUST BE  
APPLIED AS SHOWN  
FOR PROPER OPERATION  
AND TO MAINTAIN  
NEMA INTEGRITY.

HAZARDOUS LOCATION CERTIFICATIONS  
UL/ETL: CLASS 1 DIVISION 2 GROUPS B, C & D  
ETL: CLASS 1 ZONE 2 GROUP IIB  
TEMPERATURE CODE:  
UL: T4  
ETL: T3

REV	DESCRIPTION	DATE	CHECKED
4	ADDED UL/ETL CERTIFICATION & TEMP CODES	1-17-11	JJH
3	UPDATE MAX OPERATING TEMP	7-12-10	JJH
2	UPDATE AMPS	3-19-10	JJH
1	ADDED REV LEVEL AND DRAWING # BLOCK	10-2-07	JJH
0	INITIAL RELEASE	9-21-05	GFD
	REVISIONS		

PROPRIETARY DRAWING  
THIS DRAWING IS THE PROPERTY OF ICE  
CUBE, INC. AND IS NOT TO BE REPLICATED  
OR ALTERED WITHOUT AUTHORIZATION OF  
ICE CUBE, INC.

DRAWN: GFD SCALE: NONE  
DATE: 9-21-05  
SHEET 1 OF 2

		INDUSTRIAL COOLING EQUIPMENT 141 WILSON AVENUE GREENSBURG, PA 15601 724-837-8204 • 1-888-867-8234 FAX: 724-837-3286
IQ22/3000VS		
IQ271002	4	