

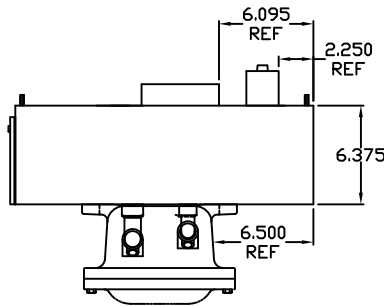
HAZARDOUS LOCATION
 IQ2500V, IQ3500V AND 4500V SPEC DRAWING REV 1

IQ2500V
 COOLING CAPACITY: 2500 BTUH @125°F
 MAXIMUM AMPS: 7.3 @ 120V 60HZ
 MAXIMUM AMPS: 3.5 @ 230V 60HZ
 MAXIMUM OPERATING TEMP.: 125°F
 DIMENSIONS: 28.50"H X 19.25"W X 6.38"D
 WEIGHT 91 LBS

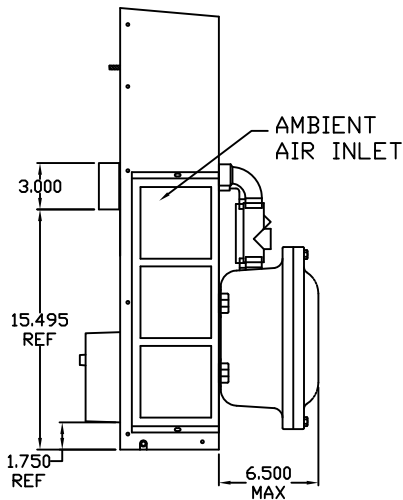
IQ3500V
 COOLING CAPACITY: 3500 BTUH @125°F
 MAXIMUM AMPS: 8.8 @ 120V 60HZ
 MAXIMUM AMPS: 4.3 @ 230V 60HZ
 MAXIMUM OPERATING TEMP.: 125°F
 DIMENSIONS: 28.50"H X 19.25"W X 6.38"D
 WEIGHT 91 LBS

IQ4500V
 COOLING CAPACITY: 4500 BTUH @125°F
 MAXIMUM AMPS: 9.5 @ 120V 60HZ
 MAXIMUM AMPS: 4.6 @ 230V 60HZ
 MAXIMUM OPERATING TEMP.: 125°F
 DIMENSIONS: 28.50"H X 19.25"W X 6.38"D
 WEIGHT 91 LBS

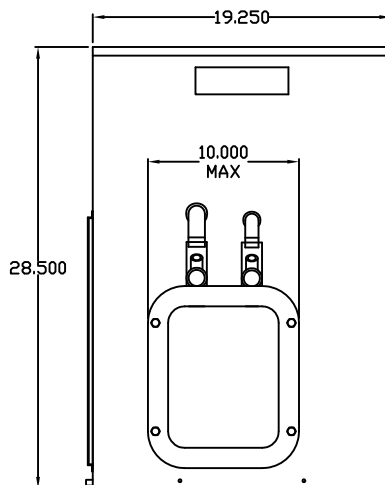
TOP VIEW



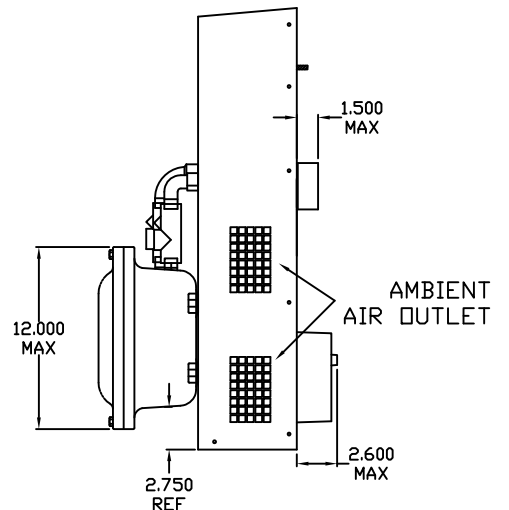
LEFT SIDE

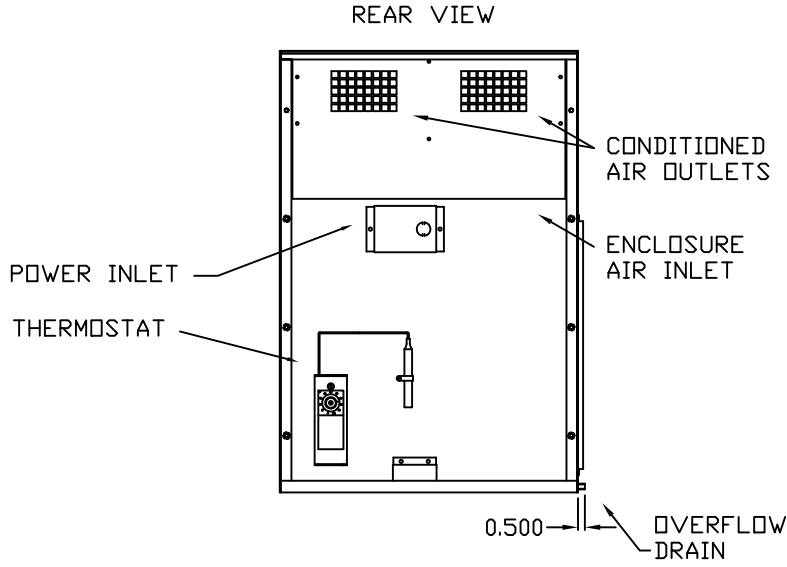


FRONT VIEW

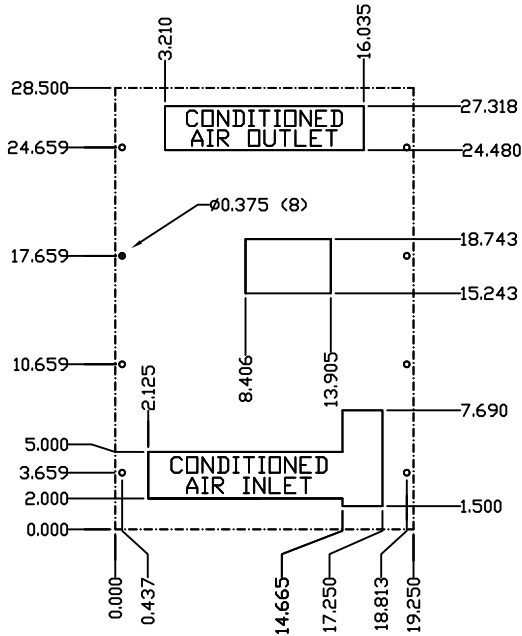


RIGHT SIDE

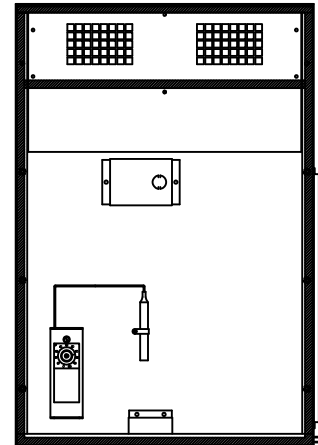




HAZARDOUS LOCATION
IQ2500V, IQ3500V, IQ4500V
CUTOUT DRAWING



HAZARDOUS LOCATION
IQ2500V, IQ3500V, IQ4500V
GASKET DRAWING



IMPORTANT
GASKET MUST BE
APPLIED AS SHOWN
FOR PROPER OPERATION
AND TO MAINTAIN
NEMA INTEGRITY.

HAZARDOUS LOCATION CERTIFICATIONS
UL/ETL: CLASS 1 DIVISION 2 GROUPS B, C & D
ETL: CLASS 1 ZONE 2 GROUP IIB
TEMPERATURE CODE:

UL: T4
ETL: T3

1	ADDED UL/ETL CERTIFICATIONS & TEMP CODES	1-17-11	J.J.H.
0	INITIAL RELEASE	3-30-10	J.J.H.
REV	DESCRIPTION	DATE	CHECKED
	REVISIONS		

PROPRIETARY DRAWING THIS DRAWING IS THE PROPERTY OF IQE AND IS NOT TO BE REPRODUCED OR COPIED IN ANY MANNER WITHOUT THE WRITTEN CONSENT OF IQE, INC.	DRW. NO.	SCALE	IQ25-35-4500V	1
	TANK	DATE		
	3-30-10		IQ300229	
	SHEET 1 OF 2			

	INDUSTRIAL COOLING EQUIPMENT
	141 VALDEN AVENUE CHICAGO, PA 15228 724-837-8888 • 1-800-821-8824 FAX 724-837-2888