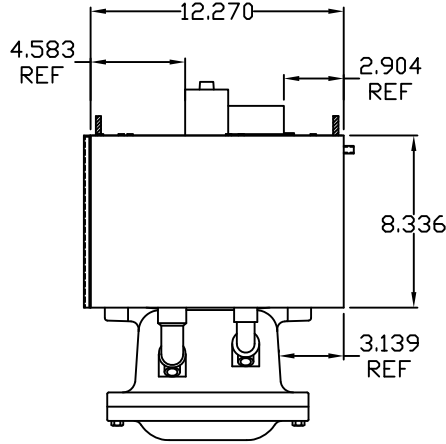


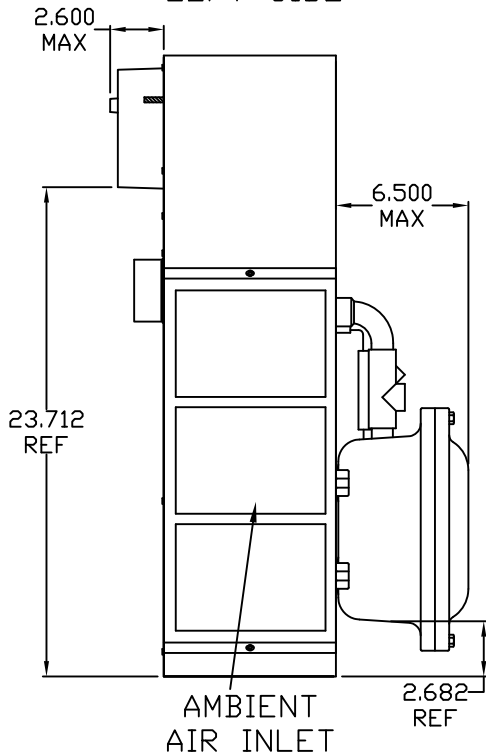
HAZARDOUS LOCATION
 IQ4000VS SPEC DRAWING REV 7

IQ4000VS
 COOLING CAPACITY: 4000 BTUH @131°F
 MAXIMUM AMPS: 8.3 @120V 60HZ
 MAXIMUM AMPS: 4.2 @230V 60HZ
 MAXIMUM OPERATING TEMP.: 131°F
 DIMENSIONS: 30.09"H X 12.27"W X 8.34"D
 WEIGHT: 80 LBS

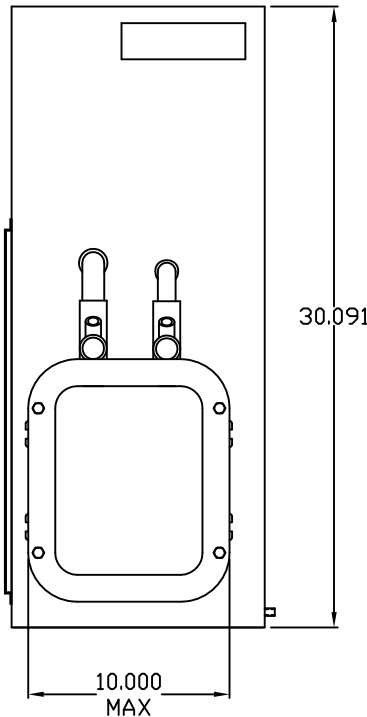
IQ4000VS
 TOP VIEW



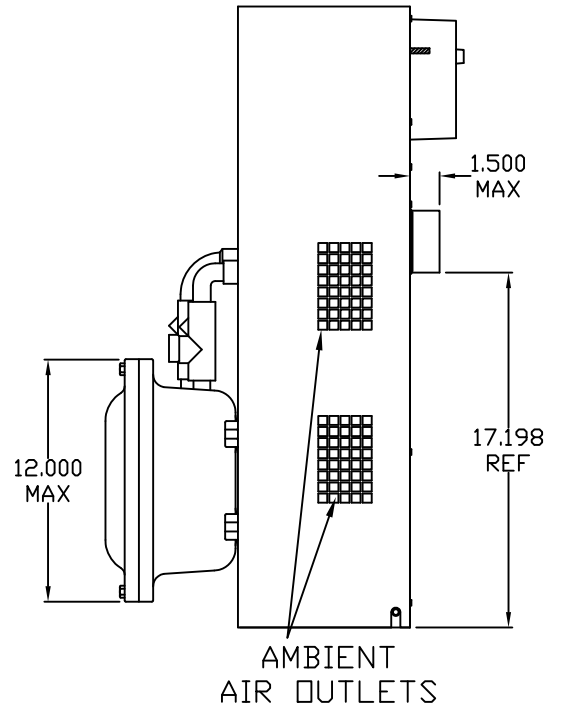
IQ4000VS
 LEFT SIDE



IQ4000VS
 FRONT VIEW



IQ4000VS
 RIGHT SIDE



PROPRIETARY DRAWING
 THIS DRAWING IS THE PROPERTY OF ICE
 QUBE, INC. AND IS NOT TO BE REPLICATED
 OR ALTERED WITHOUT AUTHORIZATION OF
 ICE QUBE, INC.

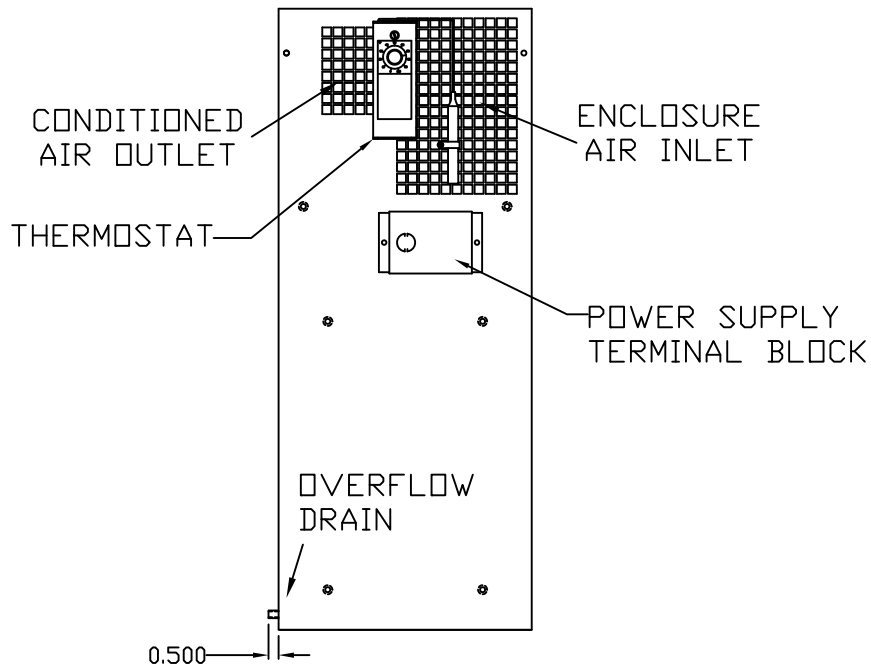
DRAWN GFD SCALE NONE
 DATE 9-20-05
 SHEET 2 OF 2

ICE Qube INDUSTRIAL COOLING EQUIPMENT
 141 WILSON AVENUE
 GREENSBURG, PA 15601
 724-837-8204 • 1-888-867-8234
 FAX 724-837-3286

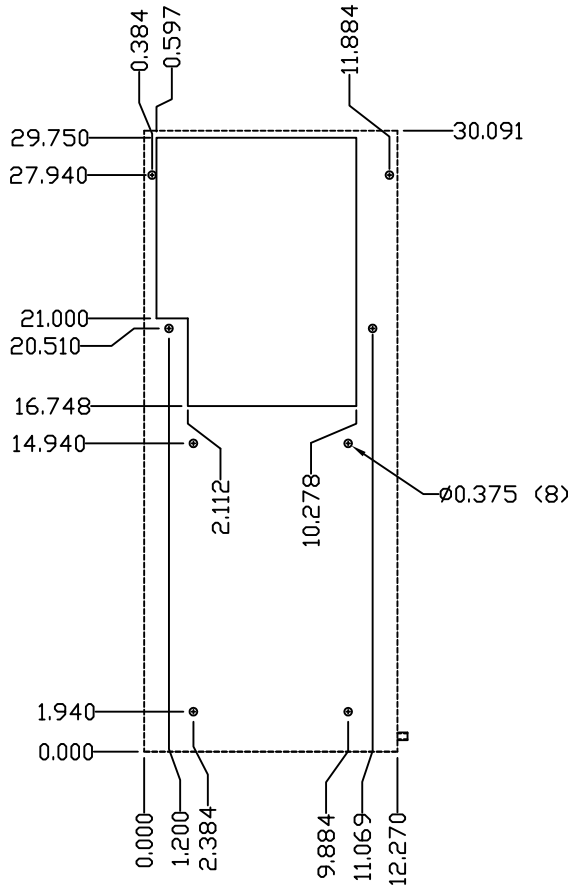
IQ4000VS

IQ271001 7

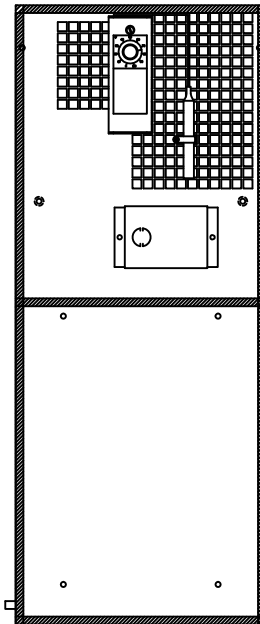
IQ4000VS
REAR VIEW



HAZARDOUS LOCATION
IQ4000VS
CUTOUT DRAWING



HAZARDOUS LOCATION
IQ4000VS
GASKET DRAWING



IMPORTANT
GASKET MUST BE
APPLIED AS SHOWN
FOR PROPER OPERATION
AND TO MAINTAIN
NEMA INTEGRITY.

HAZARDOUS LOCATION CERTIFICATIONS

UL/ETL: CLASS 1 DIVISION 2 GROUPS B, C & D
ETL: CLASS 1 ZONE 2 GROUP IIB

TEMPERATURE CODE:

UL: T4
ETL: T3

REV	DESCRIPTION	DATE	CHECKED
7	UPDATE AMPS (074)	4-19-11	JJH
6	ADDED UL/ETL CERTIFICATION & TEMP CODES	1-17-11	JJH
5	UPDATE MAX OPERATING TEMP	7-12-10	JJH
4	REMOVED IQ3800VS SPEC, UPDATE TEMP	3-19-10	JJH
3	ADDED REV LEVEL AND DRAWING # BLOCK	10-01-07	JJH
2	REMOVED (2) DIMENSIONS	8-29-07	JJH
1	CHANGED THERMOSTAT	1-10-06	JJH
0	INITIAL RELEASE	9-20-05	GFD

PROPRIETARY DRAWING
THIS DRAWING IS THE PROPERTY OF ICE
CUBE, INC. AND IS NOT TO BE REPRODUCED
OR ALTERED WITHOUT AUTHORIZATION OF
ICE CUBE, INC.

DRAWN GFD SCALE NONE
DATE 9-20-05
SHEET 1 OF 2

Ice Cube INDUSTRIAL COOLING EQUIPMENT
141 WILSON AVENUE
GREENSBURG, PA 15601
724-837-8204 • 1-888-867-8234
FAX 724-837-9286

IQ4000VS

IQ271001

7