

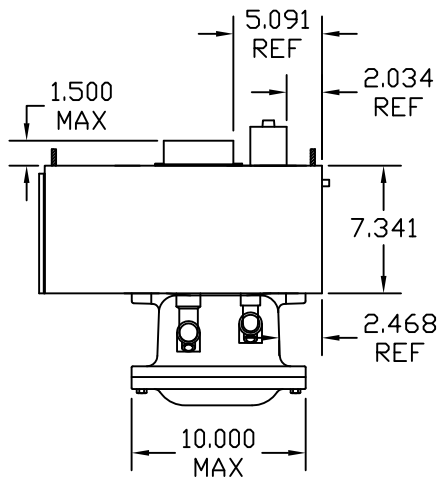
HAZARDOUS LOCATION
 IQ5000V16, IQ6000V16 AND IQ4000V16HA SPEC DRAWING REV 3

IQ5000V16
 COOLING CAPACITY: 5000 BTUH @ 125°F
 MAXIMUM AMPS: 8.4 @ 120V 60HZ
 MAXIMUM AMPS: 4.1 @ 230V 60HZ
 MAXIMUM OPERATING TEMP.: 125°F
 DIMENSIONS: 35.97"H X 15.93"W X 7.34"D
 WEIGHT 105 LBS

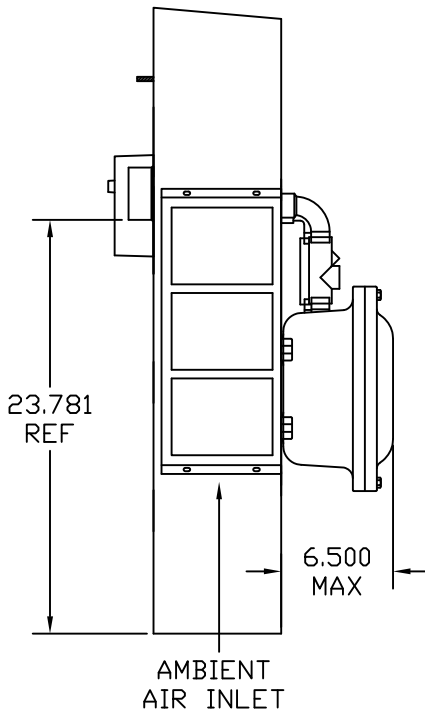
IQ6000V16
 COOLING CAPACITY: 6000 BTUH @ 125°F
 MAXIMUM AMPS: 8.8 @ 120V 60HZ
 MAXIMUM AMPS: 4.3 @ 230V 60HZ
 MAXIMUM OPERATING TEMP.: 125°F
 DIMENSIONS: 35.97"H X 15.93"W X 7.34"D
 WEIGHT 105 LBS

IQ4000V16HA
 COOLING CAPACITY: 4000 BTUH @ 135°F
 MAXIMUM AMPS: 8.2 @ 120V 60HZ
 MAXIMUM AMPS: 3.9 @ 230V 60HZ
 MAXIMUM OPERATING TEMP.: 135°F
 DIMENSIONS: 35.97"H X 15.93"W X 7.34"D
 WEIGHT 105 LBS

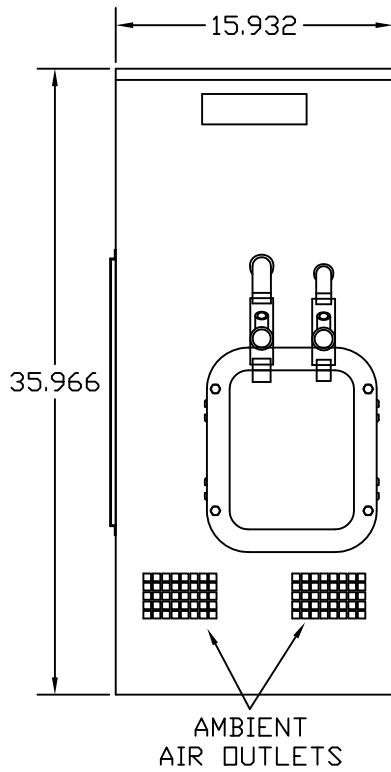
TOP VIEW



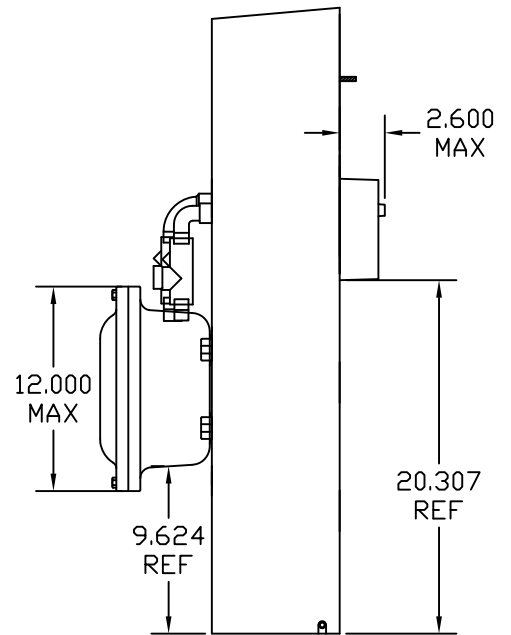
LEFT SIDE



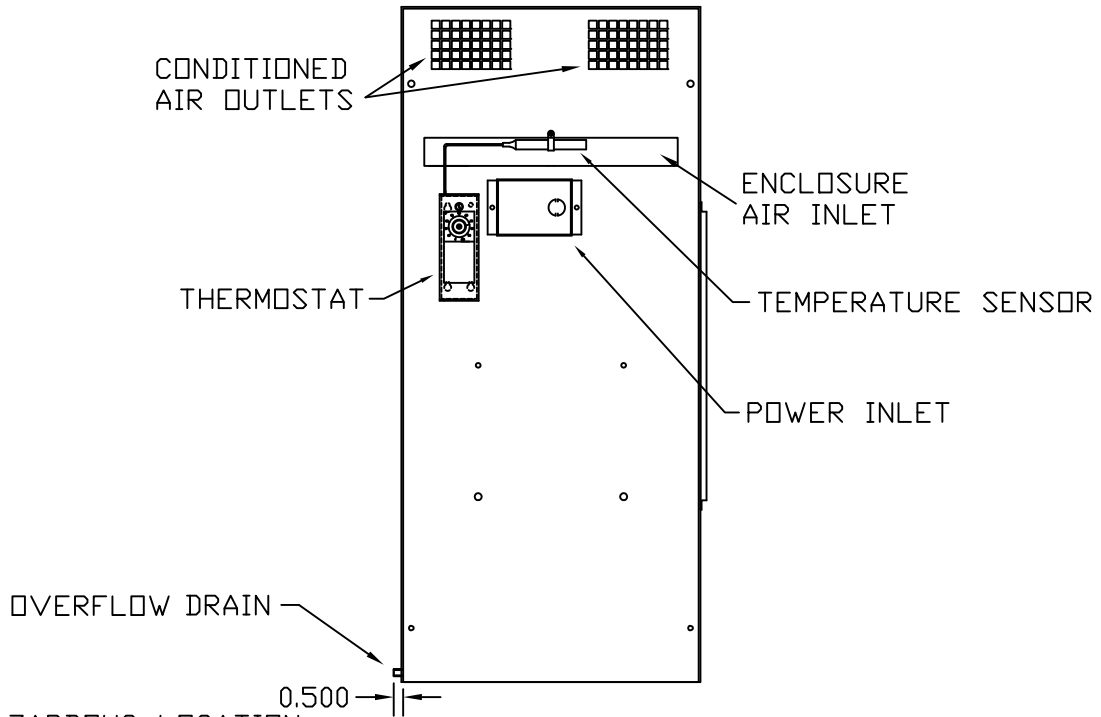
FRONT VIEW



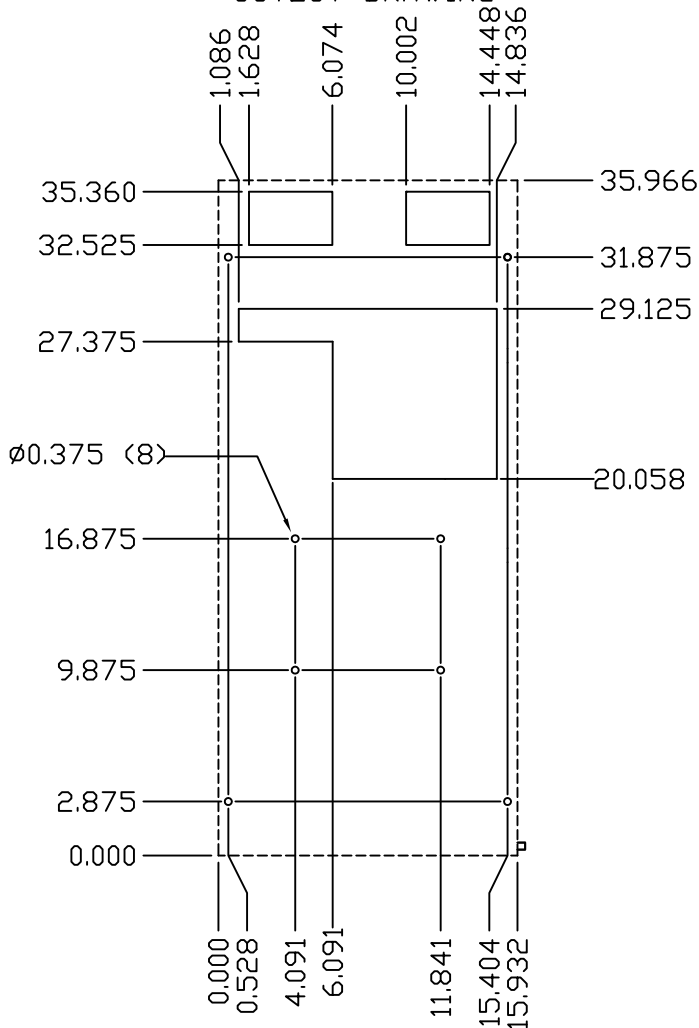
RIGHT SIDE



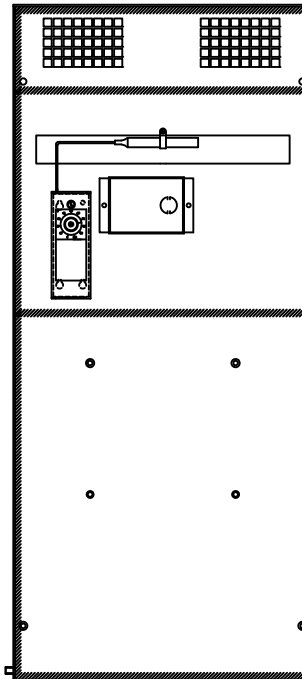
REAR VIEW



HAZARDOUS LOCATION
IQ5000V16, IQ6000V16, IQ4000V16HA
CUTOUT DRAWING



HAZARDOUS LOCATION
IQ5000V16, IQ6000V16, IQ4000V16HA
GASKET DRAWING



IMPORTANT
GASKET MUST BE
APPLIED AS SHOWN
FOR PROPER OPERATION
AND TO MAINTAIN
NEMA INTEGRITY

HAZARDOUS LOCATION CERTIFICATIONS

UL/ETL: CLASS 1 DIVISION 2 GROUPS B, C & D
ETL: CLASS 1 ZONE 2 GROUP IIB

TEMPERATURE CODE:

UL: T4
ETL: T3

REV	DESCRIPTION	DATE	CHECKED
3	ADDED UL/ETL CERTIFICATIONS & TEMP CODES	1-17-11	JJH
2	UPDATE AMPS & LBS	3-16-10	JJH
1	CHANGED THERMOSTAT	1-30-06	JJH
0	INITIAL RELEASE	5-20-05	GFD

PROPRIETARY DRAWING
THIS DRAWING IS THE PROPERTY OF ICE
CUBE. NO PART IS TO BE REPRODUCED
OR ALTERED WITHOUT AUTHORIZATION OF
ICE CUBE, INC.

DRAWN: GFD
SCALE: NONE
DATE: 5-20-05
SHEET 1 OF 2

	INDUSTRIAL COOLING EQUIPMENT 141 VILSON AVENUE GREENSBURG, PA 15601 724-837-0294 • 1-800-967-8824 FAX: 724-837-2386	
	IQ5-6000V16 IQ271004	3