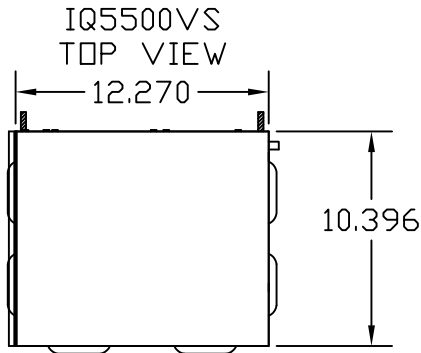
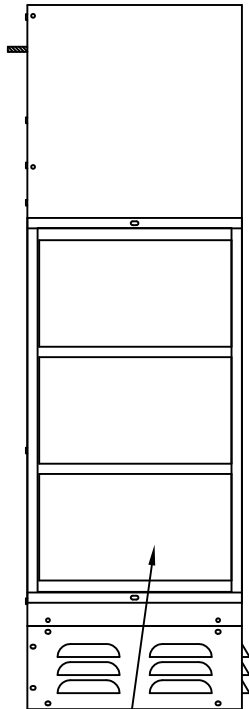


IQ5500VS SPEC DRAWINGS REV 1 480-400VAC

COOLING CAPACITY: 5500 BTUH @131°F  
 MAXIMUM AMPS: 2.1/2.3 @480V 60/50HZ  
 MAXIMUM AMPS: 2.5/2.8 @400V 60/50HZ  
 MAXIMUM OPERATING TEMP.: 131°F  
 DIMENSIONS: 34.12"H X 12.27"W X 10.39"D  
 WEIGHT: 91 LBS

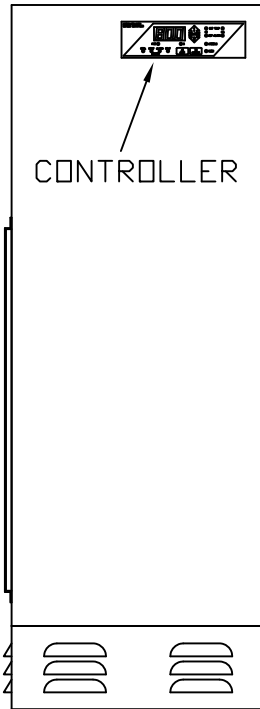


IQ5500VS  
LEFT SIDE

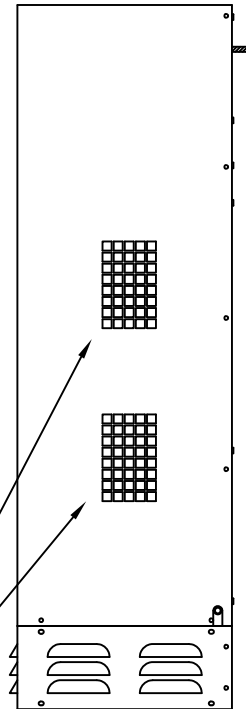


CONDENSER  
AIR INLET

IQ5500VS  
FRONT VIEW



IQ5500VS  
RIGHT SIDE



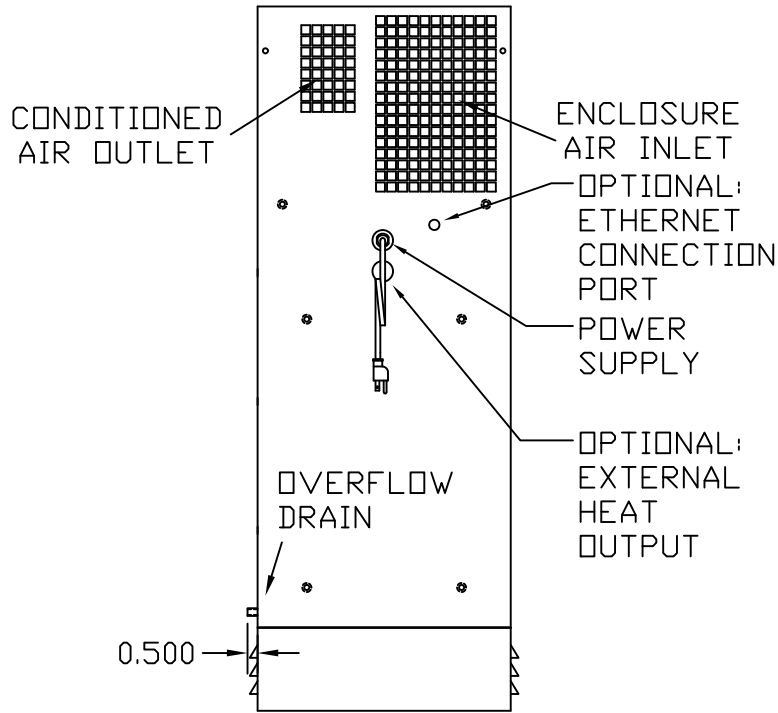
CONDENSER  
AIR OUTLETS

PROPRIETARY DRAWING  
 THIS DRAWING IS THE PROPERTY OF IJG  
 QUBE, INC. AND IS NOT TO BE REPLICATED  
 OR ALTERED WITHOUT AUTHORIZATION OF  
 IJG QUBE, INC.

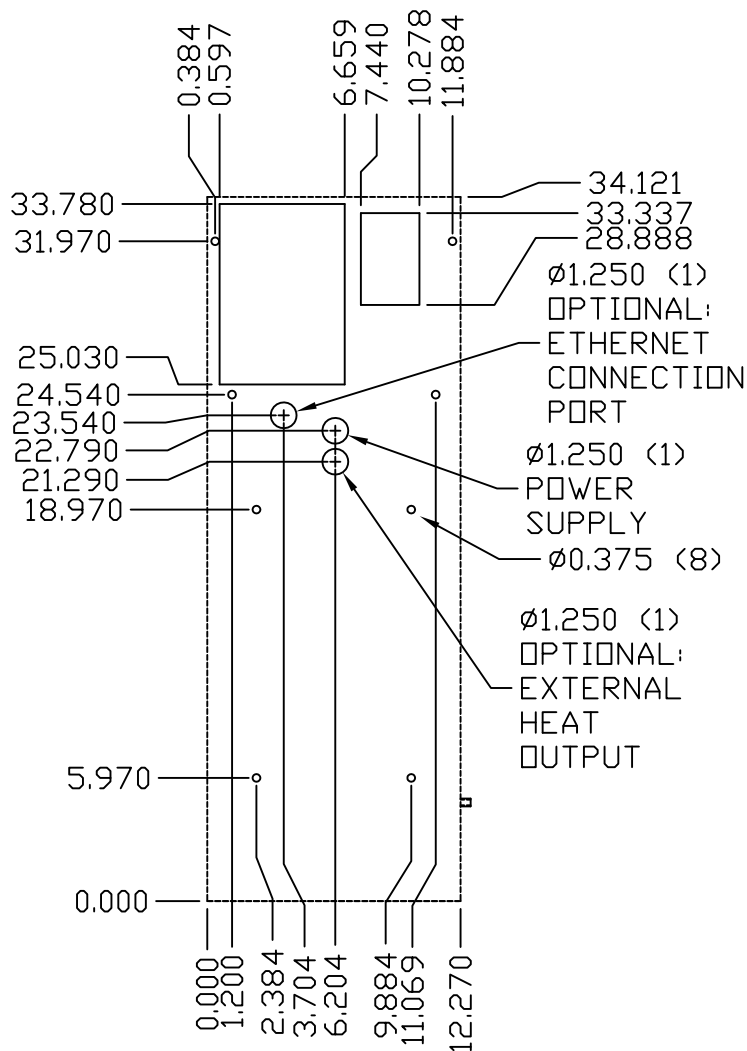
DRAWN: J.J.H. SCALE: NONE  
 DATE: 11-23-10  
 SHEET 2 OF 2

	INDUSTRIAL COOLING EQUIPMENT 141 WILSON AVENUE GREENSBURG, PA 15601 724-837-8204 ■ 1-888-867-8234 FAX 724-837-5286	
	IQ5500VS 480-400VAC	
	IQ301123	1

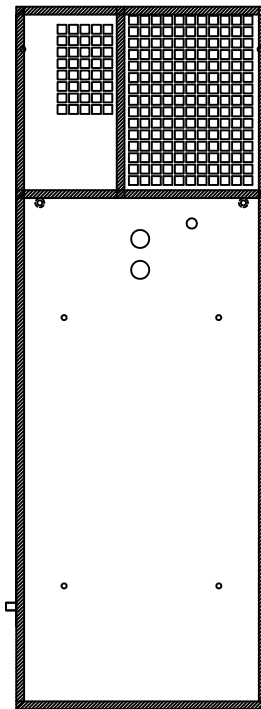
IQ5500VS  
REAR VIEW



IQ5500VS  
CUTOUT DRAWING



IQ5500VS  
GASKET DRAWING



**\*IMPORTANT\***  
GASKET MUST BE  
APPLIED AS SHOWN  
FOR PROPER OPERATION  
AND TO MAINTAIN  
NEMA INTEGRITY.

1	ADDED ETHERNET CONNECTION PORT	6-24-11	JJH
0	INITIAL RELEASE	11-23-10	JJH
REV	DESCRIPTION	DATE	CHECKED
	REVISIONS		

PROPRIETARY DRAWING  
THIS DRAWING IS THE PROPERTY OF JEE  
QUBE, INC. AND IS NOT TO BE REPLICATED  
OR ALTERED WITHOUT AUTHORIZATION OF  
JEE QUBE, INC.

DRAWN	JJH	SCALE	NONE
DATE	11-23-10		
SHEET 1 OF 2			

	INDUSTRIAL COOLING EQUIPMENT 141 WILSON AVENUE GREENSBURG, PA 15601 724-837-8204 • 1-888-867-8234 FAX 724-837-5286
	<b>IQ5500VS</b> 480-400VAC
IQ301123	1