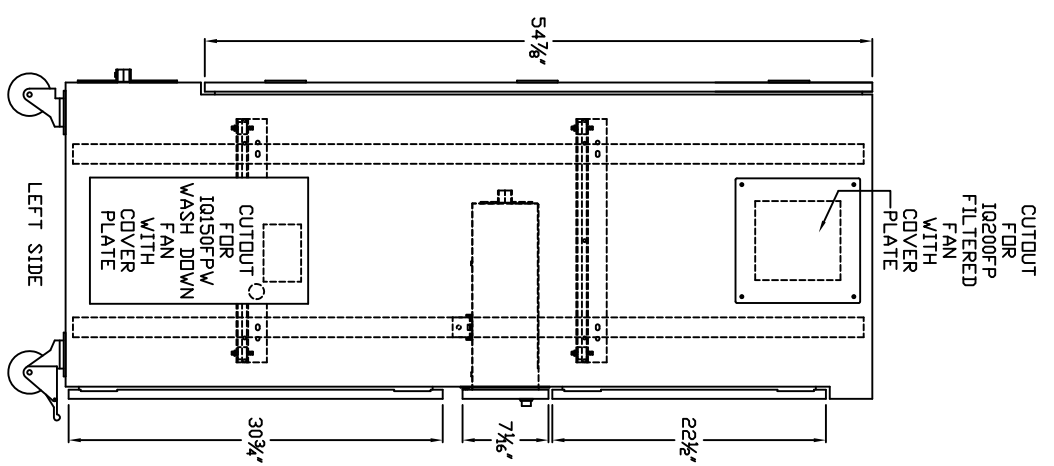
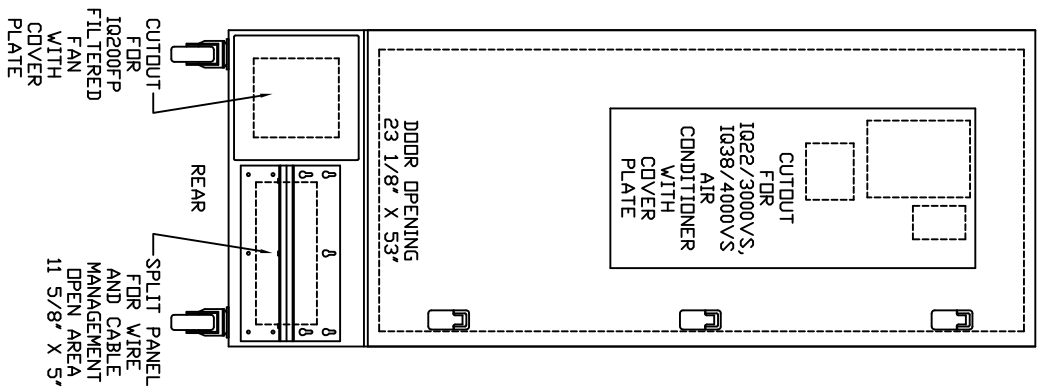
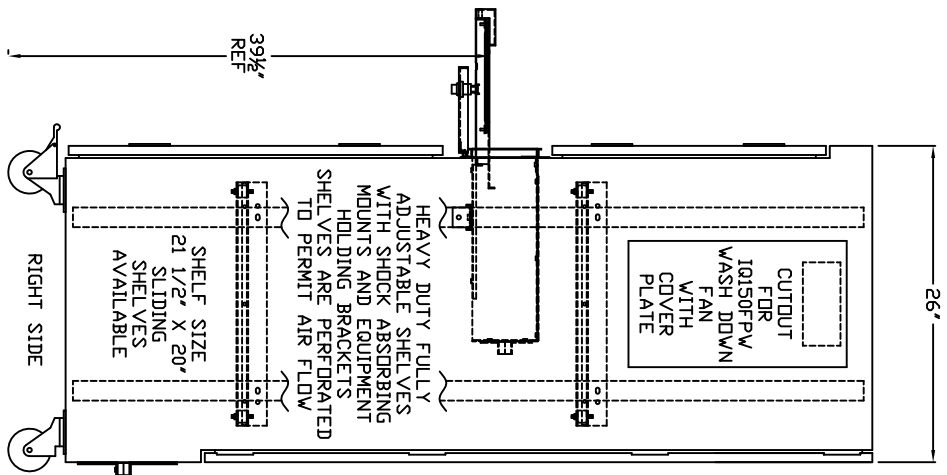
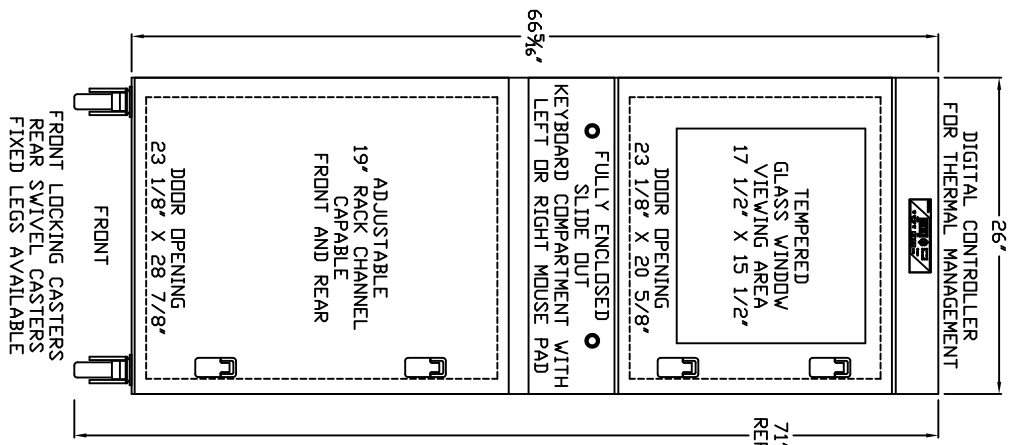


REV	DESCRIPTION	DATE	CHECKED
1	UPDATED	9-20-07	GFD

REVISIONS



ITEM	DESCRIPTION	MATERIAL	SUPPLIER	QTY

UNLESS OTHERWISE SPECIFIED TOLERANCES:		NEXT ASSEMBLY	
X ± .060	XX ± .030	FILE	SPEC DRAWINGS
XXX ± .015		PROJECTION	①
ANGULAR ± 1/16		DRAWN	SCALE NONE
PROPRIETARY DRAWING		DATE	3-22-07
THIS DRAWING IS THE PROPERTY OF ICE OR ALTERED WITHOUT AUTHORIZATION OF ICE CORP., INC.		DWG NO	10270319
INDUSTRIAL COOLING EQUIPMENT		REV	1
141 VINTON AVENUE		GREENSBURG, PA 15601	
724-837-8204		1-888-667-8234	
FAX 724-837-3386			