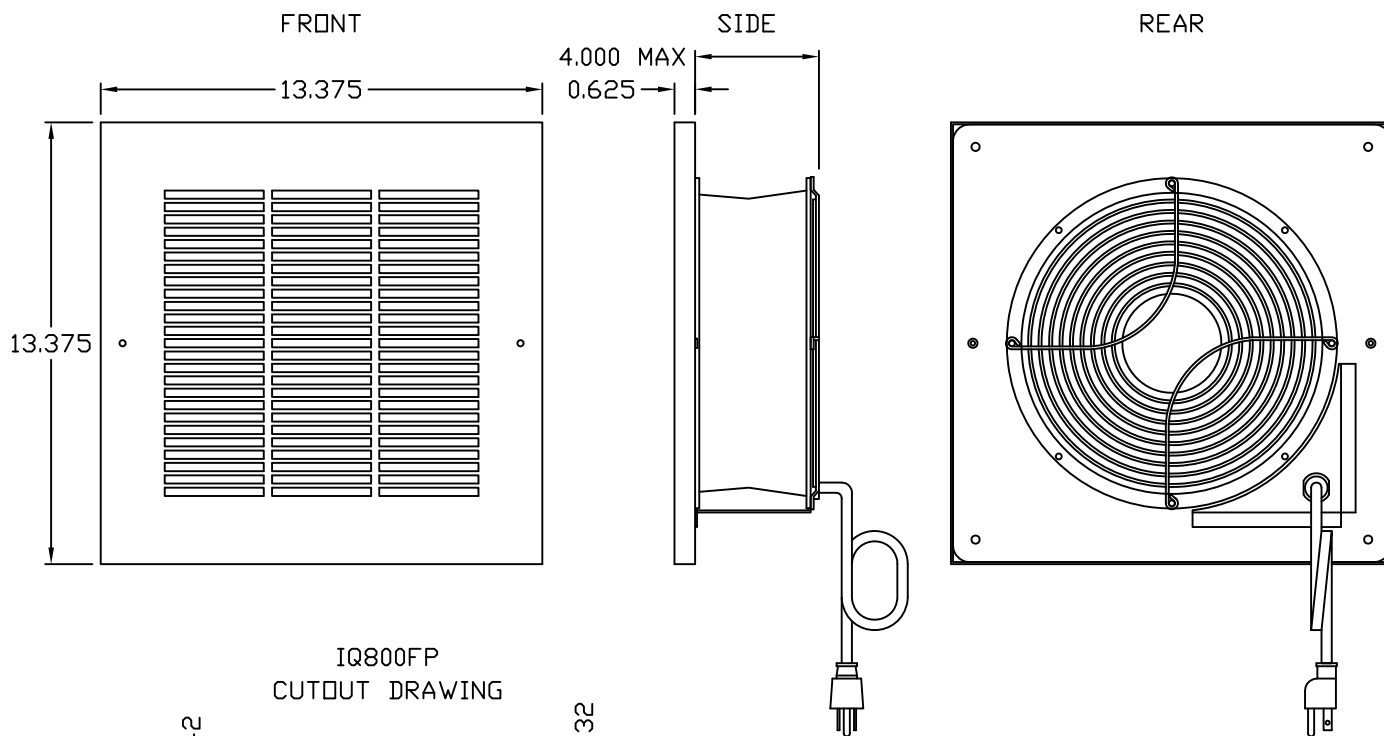
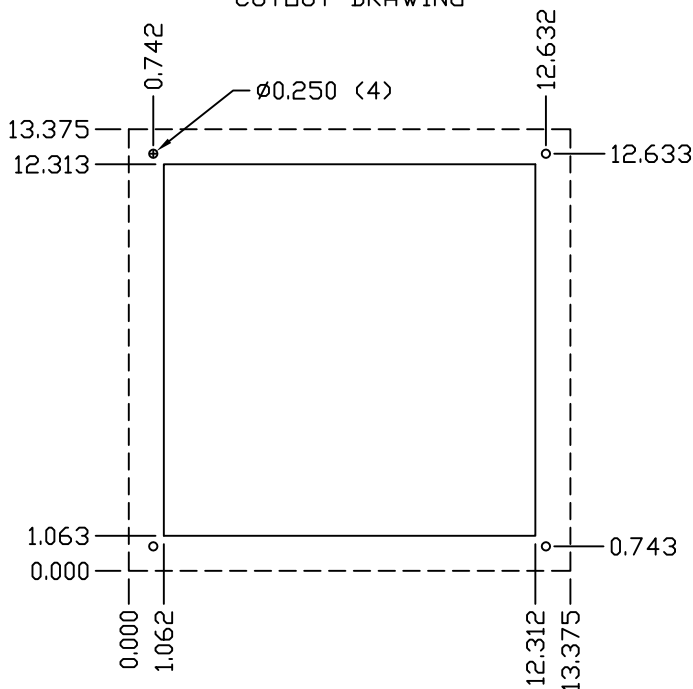


# IQ800FP SPEC DRAWING

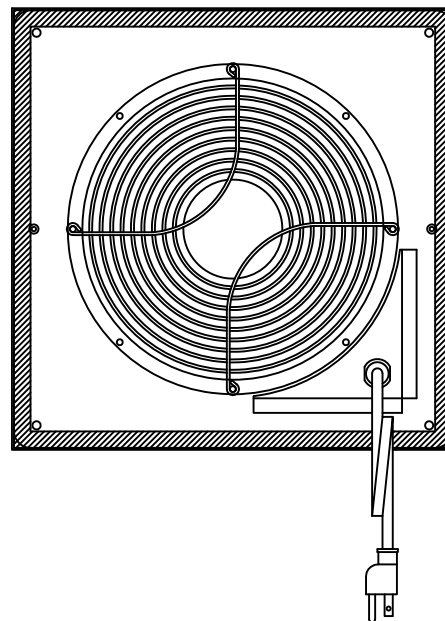
860/800 CFM FREE AIR @ 120/110 VAC 60/50 HZ  
 860/800 CFM FREE AIR @ 230/220 VAC 60/50 HZ  
 MAXIMUM AMPS : .98/.108 @ 120/110 VAC 60/50 HZ  
 MAXIMUM AMPS : .48/.53 @ 230/220 VAC 60/50 HZ  
 MAXIMUM OPERATING TEMPERATURE : 158°F  
 WEIGHT : 15 LBS.



IQ800FP  
CUTOUT DRAWING



IQ800FP  
GASKET DRAWING



0	INITIAL RELEASE	5-15-08	JJH
REV	DESCRIPTION	DATE	CHECKED
	REVISIONS		

PROPRIETARY DRAWING  
 THIS DRAWING IS THE PROPERTY OF ICE  
 EQUIPMENT, INC. AND IS NOT TO BE REPLICATED  
 OR ALTERED WITHOUT AUTHORIZATION OF  
 ICE EQUIPMENT, INC.

DRAWN GFD SCALE NONE  
 DATE 5-15-08  
 SHEET 1 OF 1

<b>ICE</b> <small>Equipment</small>	INDUSTRIAL CEILING EQUIPMENT 140 VALLEY AVENUE WILKESBORO, PA 18251 717-837-8888 • 1-800-827-8888 FAX 717-837-8888
IQ800FP	
IQ280308	0