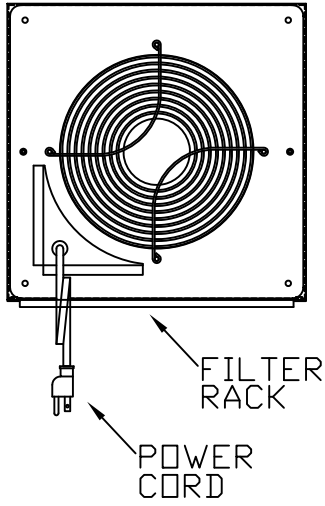


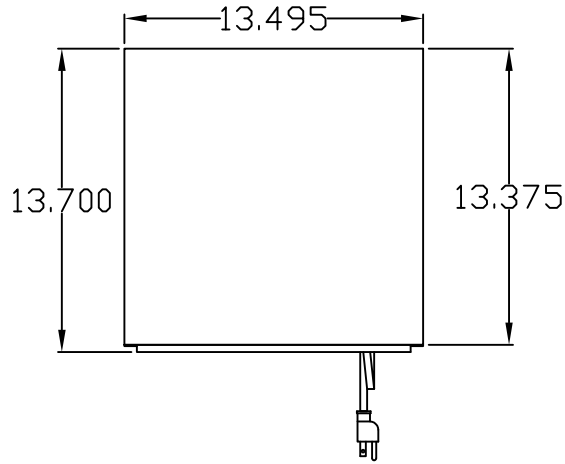
IQ800FP-H SPEC DRAWING

860/800 CFM FREE AIR @ 120/110 VAC 60/50 HZ
 860/800 CFM FREE AIR @ 230/220 VAC 60/50 HZ
 MAXIMUM AMPS : .98/1.08 @ 120/110 VAC 60/50 HZ
 MAXIMUM AMPS : .48/.53 @ 230/220 VAC 60/50 HZ
 MAXIMUM OPERATING TEMPERATURE : 158°F

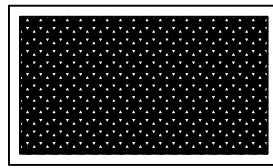
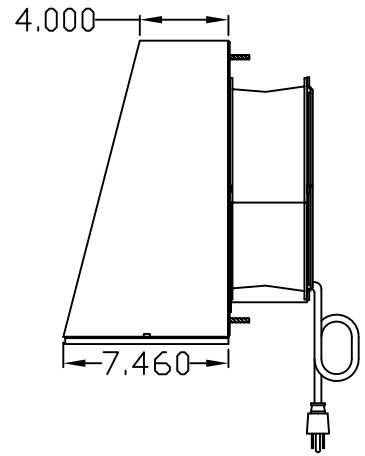
REAR



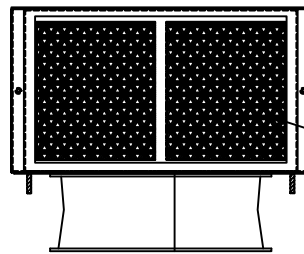
FRONT



SIDE



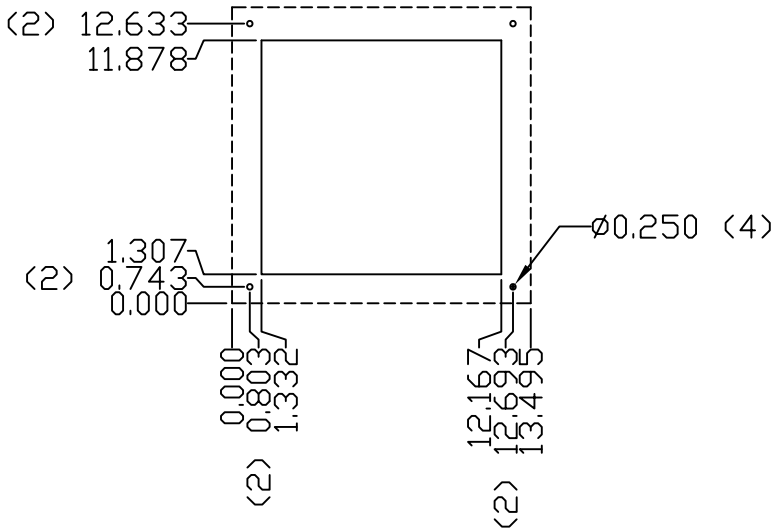
INTAKE FILTER
 POLYPROPYLENE
 EXHAUST FILTER
 METAL MESH



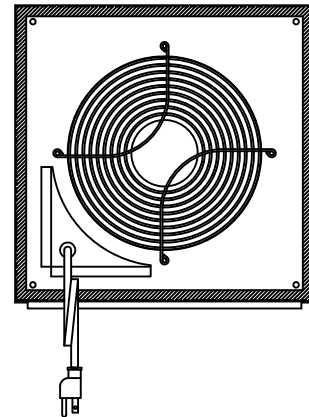
FILTER

BOTTOM

IQ800FP-H
 CUTOUT DRAWING



IQ800FP-H
 GASKET
 DRAWING



0	INITIAL RELEASE	1-22-08	JMH
REV	DESCRIPTION	DATE	CHECKED
	REVISIONS		

PROPRIETARY DRAWING
 THIS DRAWING IS THE PROPERTY OF ICE
 QUBE, INC. AND IS NOT TO BE REPRODUCED
 OR ALTERED WITHOUT AUTHORIZATION OF
 ICE QUBE, INC.

DRAWN	JMH	SCALE	NONE
DATE	1-22-08	DWG NO	
SHEET 1 OF 1			

		<small>INDUSTRIAL, COMM. EQUIPMENT</small> 141 WILSON AVENUE GREENSBORO, PA 15601 784-827-8884 • 1-800-827-8884 FAX 784-827-0288	
PART NAME		IQ800FP-H	
DWG NO	IQ290331	REV	0