

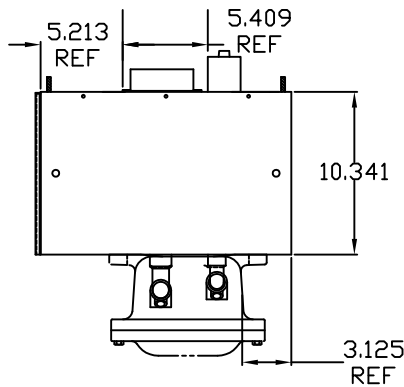
HAZARDOUS LOCATION  
 IQ5000V16HA, IQ6000V16HA AND IQ8000V16 SPEC DRAWING REV 4

**IQ5000V16HA**  
 COOLING CAPACITY: 5000 BTUH @135°F  
 MAXIMUM AMPS 13.7 @ 120V 60HZ  
 MAXIMUM AMPS 6.6 @ 230V 60HZ  
 MAXIMUM OPERATING TEMP.: 135°F  
 DIMENSIONS: 42.09"H X 15.93"W X 10.34"D  
 WEIGHT 125 LBS

**IQ6000V16HA**  
 COOLING CAPACITY: 6000 BTUH @135°F  
 MAXIMUM AMPS 15.6 @ 120V 60HZ  
 MAXIMUM AMPS 7.0 @ 230V 60HZ  
 MAXIMUM OPERATING TEMP.: 135°F  
 DIMENSIONS: 42.09"H X 15.93"W X 10.34"D  
 WEIGHT 125 LBS

**IQ8000V16**  
 COOLING CAPACITY: 8000 BTUH @131°F  
 MAXIMUM AMPS 13.7 @ 120V 60HZ  
 MAXIMUM AMPS 6.8 @ 230V 60HZ  
 MAXIMUM OPERATING TEMP.: 131°F  
 DIMENSIONS: 42.09"H X 15.93"W X 10.34"D  
 WEIGHT 125 LBS

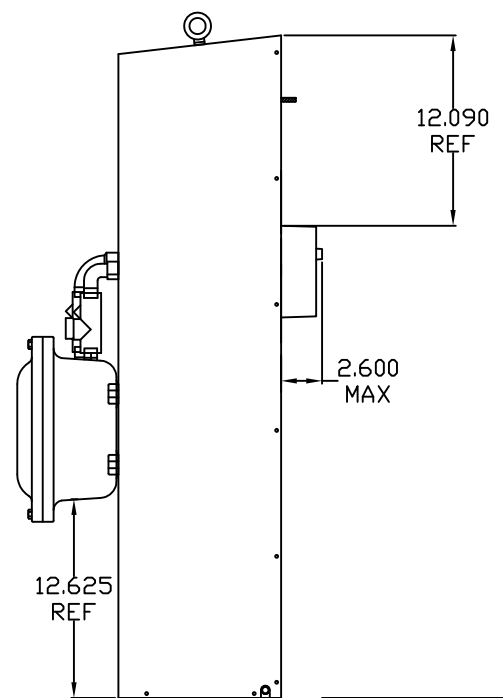
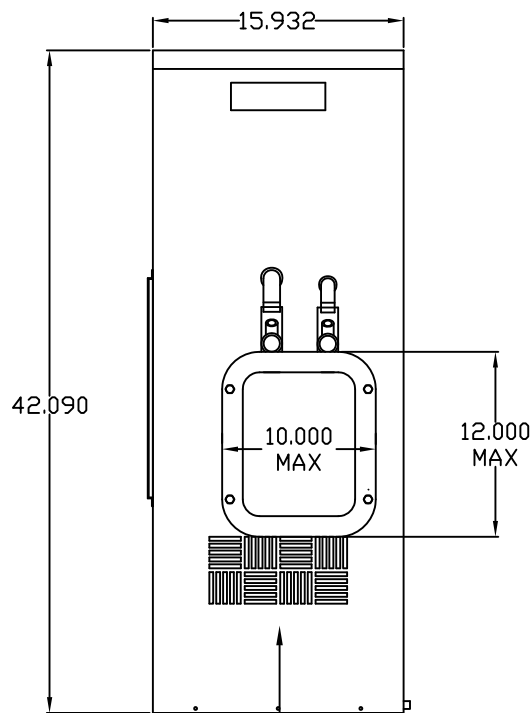
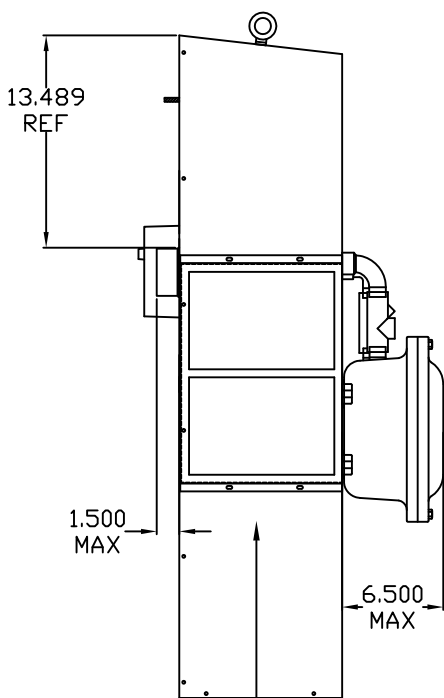
IQ5000V16HA  
 IQ6000V16HA  
 IQ8000V16  
 TOP VIEW



IQ5000V16HA  
 IQ6000V16HA  
 IQ8000V16  
 SIDE VIEW

IQ5000V16HA  
 IQ6000V16HA  
 IQ8000V16  
 FRONT VIEW


IQ5000V16HA  
 IQ6000V16HA  
 IQ8000V16  
 SIDE VIEW



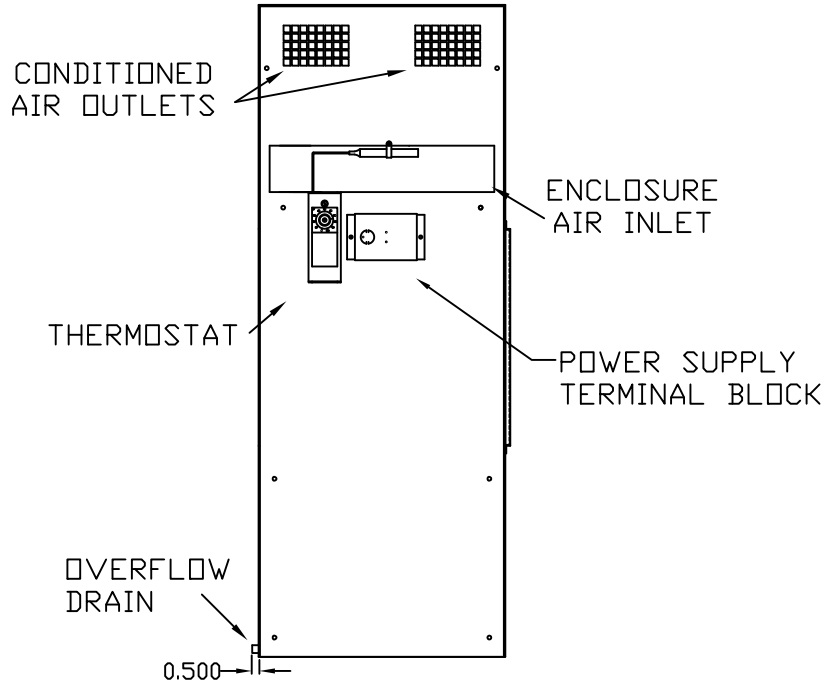
↑  
 AMBIENT  
 AIR INLET

↑  
 AMBIENT  
 AIR OUTLET

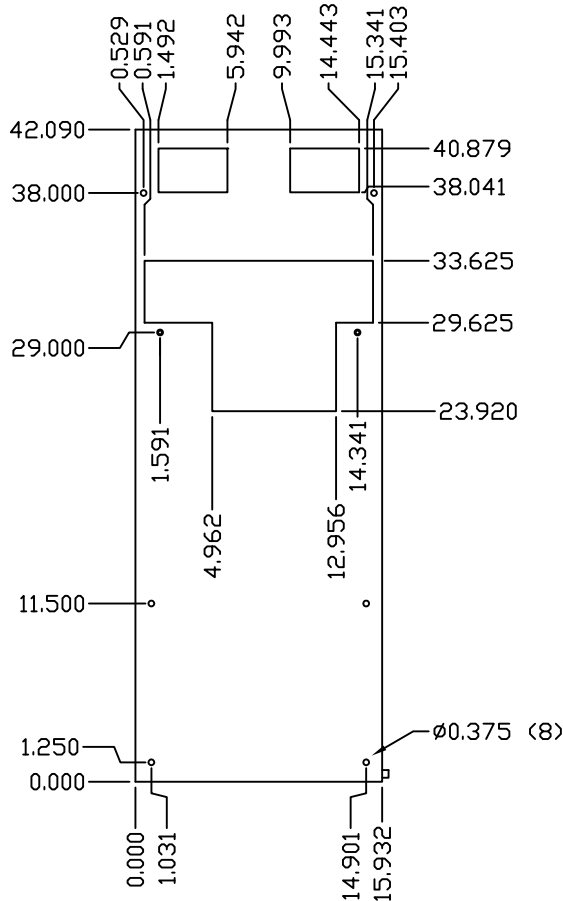
PROPRIETARY DRAWING SCALE NONE


 INDUSTRIAL COOLING EQUIPMENT  
 IN WILKES BARRE  
 PENNSYLVANIA, USA  
 781-927-2884 • 1-800-927-6884  
 FAX 781-927-2888  
**IQ8V16, 5-6V16HA**

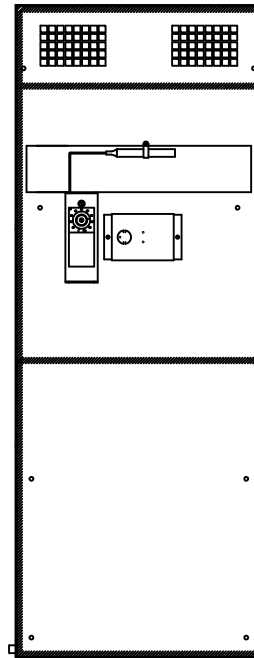
IQ5000V16HA  
 IQ6000V16HA  
 IQ8000V16  
 REAR VIEW



HAZARDOUS LOCATION  
 IQ5000V16HA, IQ6000V16HA, IQ8000V16  
 CUTOUT DRAWING



HAZARDOUS LOCATION  
 IQ5000V16HA, IQ6000V16HA, IQ8000V16  
 GASKET DRAWING



**\*IMPORTANT\***  
 GASKET MUST BE  
 APPLIED AS SHOWN  
 FOR PROPER OPERATION  
 AND TO MAINTAIN  
 NEMA INTEGRITY

HAZARDOUS LOCATION CERTIFICATIONS  
 UL/ETL: CLASS 1 DIVISION 2 GROUPS B, C & D  
 ETL: CLASS 1 ZONE 2 GROUP IIB

TEMPERATURE CODE:

UL: T4  
 ETL: T3

REV	DESCRIPTION	DATE	CHECKED
4	ADDED UL/ETL CERTIFICATIONS & TEMP CODES	1-17-11	JJH
3	UPDATE MAX OPERATING TEMP	7-18-10	JJH
2	UPDATE AMPS & LIS	3-15-10	JJH
1	CHANGED THERMOSTAT	1-30-06	JJH
0	INITIAL RELEASE	1-18-05	GFD

PROPRIETARY DRAWING	DATE	SCALE	SHEET	NO.
YES	1-18-05	NONE	1	OF 2

INDUSTRIAL COLLISION EQUIPMENT 243 WILSON AVENUE CHICAGO, IL 60640 781-607-0004 • 1-800-643-8834 FAX 781-607-3388	IQ8V16, 5-6V16HA	IQ271006	4
---	------------------	----------	---