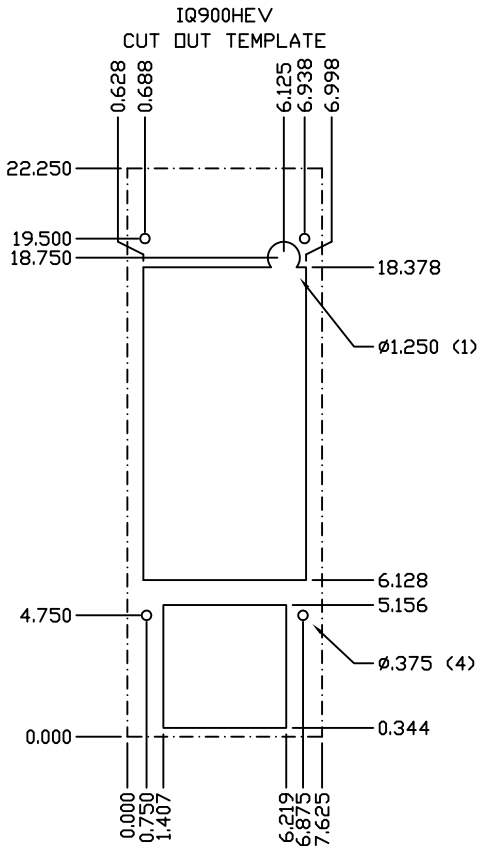
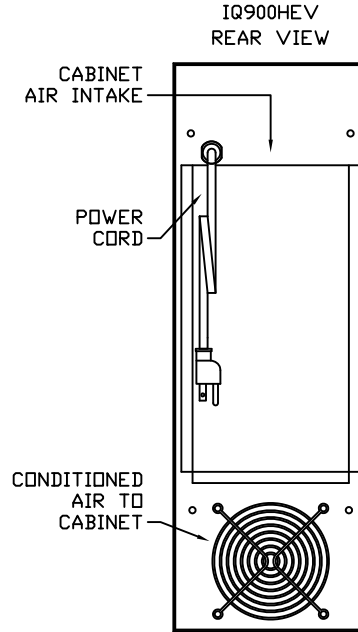
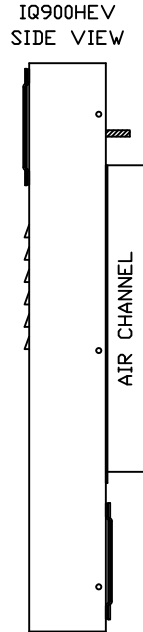
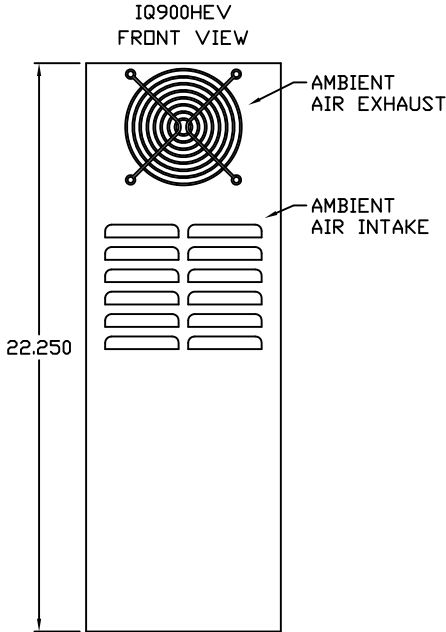
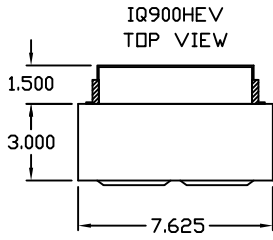
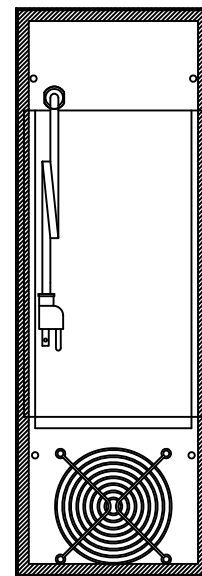


SPEC DRAWING IQ900HEV

COOLING CAPACITY: 7.4 WATTS/'F
 DIMENSIONS: 22.25"H X 7.625"W X 3"D
 WEIGHT: 11 LBS
 MAXIMUM AMPS: .35/.40 @ 120/110 VAC 60/50HZ
 MAXIMUM AMPS: .18/.20 @ 230/220 VAC 60/50HZ



IQ900HEV GASKET DRAWING



IMPORTANT
 MUST APPLY GASKET TO
 UNIT AS SHOWN ABOVE FOR
 PROPER OPERATION AND TO
 MAINTAIN CABINET INTEGRITY

1	UPDATED VIEW	6-12-05	GFD
0	INITIAL RELEASE	7-16-04	GFD
REV	DESCRIPTION	DATE	CHECKED
	REVISIONS		

PROPRIETARY DRAWING
 THIS DRAWING IS THE PROPERTY OF ICE
 QUBE, INC. AND IS NOT TO BE DUPLICATED
 OR ALTERED WITHOUT AUTHORIZATION OF
 ICE QUBE, INC.

DRAWN GFD SCALE NONE
 DATE 7-16-04
 SHEET 1 OF 1

Ice Qube INDUSTRIAL COOLING EQUIPMENT
 141 WILSON AVENUE
 GREENSBURG, PA 15601
 724-837-2204 • 1-888-867-8234
 FAX 724-837-3386

IQ900HEV

IQ280504 1