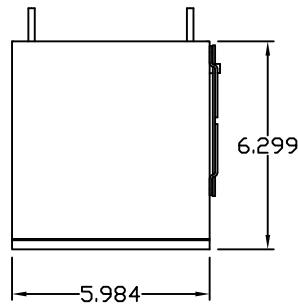


IQ1000MM-R & IQ1300MM-R SPEC DRAWING REV 2

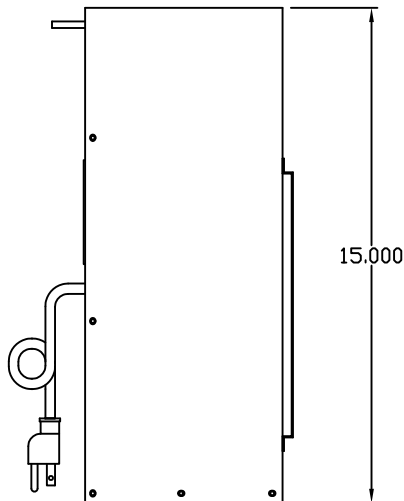
**IQ1000MM-R**  
 COOLING CAPACITY: 1000 BTUH @131-131°F  
 MAXIMUM AMPS: 3.1 @120V/60HZ  
 MAXIMUM AMPS: 1.5 @230V/60HZ  
 MAXIMUM OPERATING TEMP.: 131°F  
 DIMENSIONS: 15.00"H X 5.98"W X 6.29"D  
 WEIGHT: 21 LBS

**IQ1300MM-R**  
 COOLING CAPACITY: 1300 BTUH @131-131°F  
 MAXIMUM AMPS: 3.2 @120V/60HZ  
 MAXIMUM AMPS: 1.5 @230V/60HZ  
 MAXIMUM AMPS: 8.0 @48VDC  
 MAXIMUM OPERATING TEMP.: 131°F  
 DIMENSIONS: 15.00"H X 5.98"W X 6.29"D  
 WEIGHT: 21 LBS

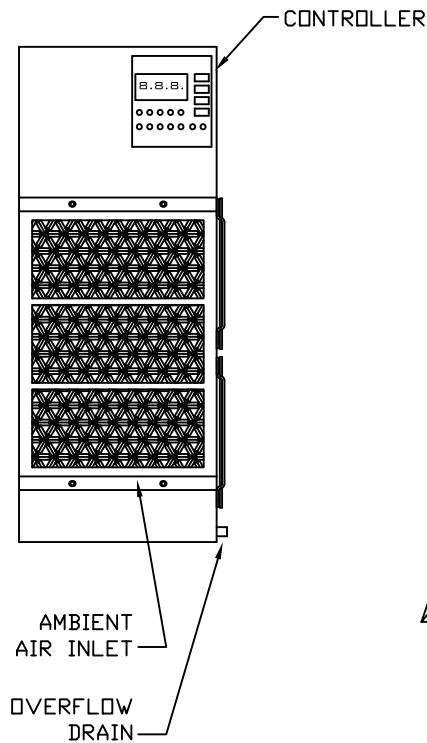
IQ1000MM-R  
 IQ1300MM-R  
 TOP VIEW



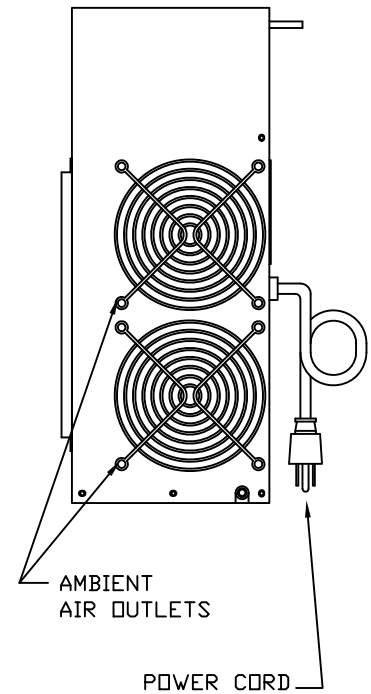
IQ1000MM-R  
 IQ1300MM-R  
 LEFT VIEW



IQ1000MM-R  
 IQ1300MM-R  
 FRONT VIEW

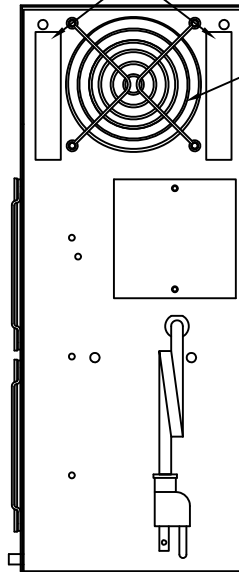


IQ1000MM-R  
 IQ1300MM-R  
 RIGHT VIEW



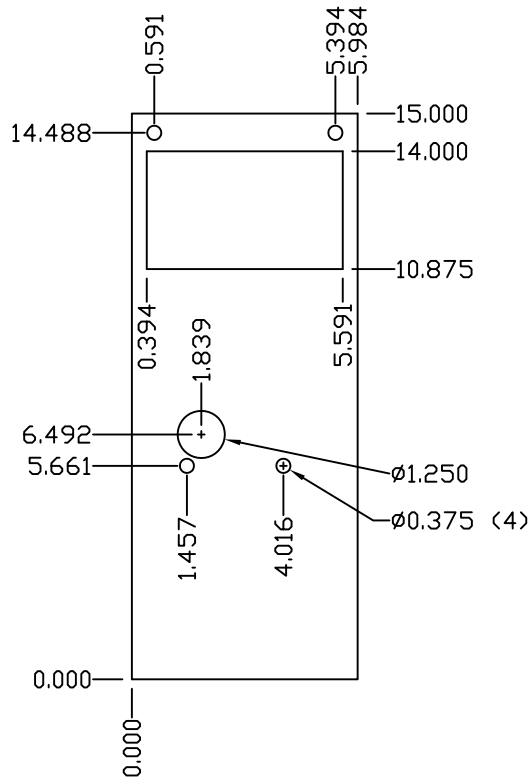
IQ1000MM-R  
 IQ1300MM-R  
 REAR VIEW

ENCLOSURE  
 AIR INLET

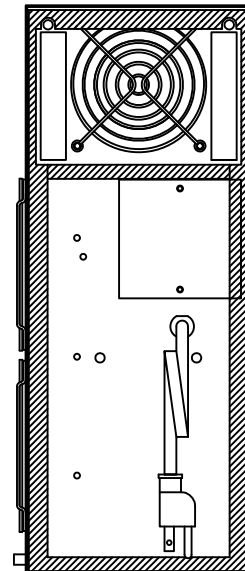


CONDITIONED  
 AIR OUTLET

IQ1000MM-R  
 IQ1300MM-R  
 CUT OUT DRAWING



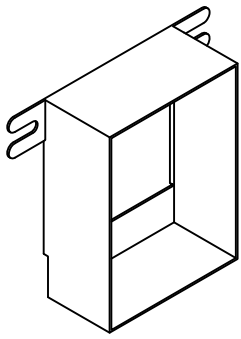
IQ1000MM-R  
 IQ1300MM-R  
 GASKET DRAWING



**\*IMPORTANT\***  
 GASKET MUST BE  
 APPLIED AS SHOWN  
 FOR PROPER OPERATION  
 AND TO MAINTAIN  
 NEMA INTEGRITY

1	CHANGED AMPS	7-29-11	JMH
0	INITIAL RELEASE	2-14-08	JMH
REV	DESCRIPTION	DATE	CHECKED
	REVISIONS		

PROPRIETARY DRAWING	DATE	REV	DATE	REV	DATE
	2-14-08				
SHEET 1 OF 2			IQ1000-1300MM-R		
			IQ280226 1		

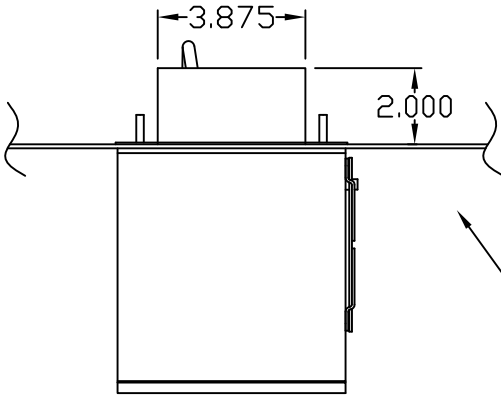


## TOP AIRFLOW

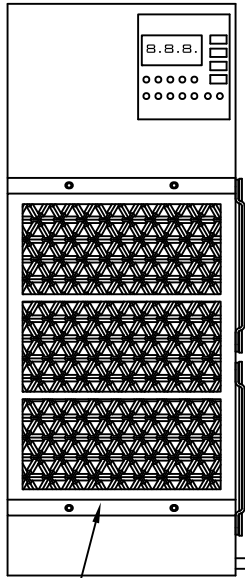
### Installing the Cold Air Diverter

1. After checking that the gasket is in place, install the air conditioner to the enclosure securing with the 4 bolts provided in the installation kit.
2. From the inside of the enclosure, align the mounting holes for the air diverter with the top two studs of the air conditioner.
3. Install the 2, 1/4-20 nuts on the air conditioner mounting studs and securing to provide a gasket seal at the perimeter of the air conditioner.

IQ1000MM-R  
IQ1300MM-R  
TOP VIEW

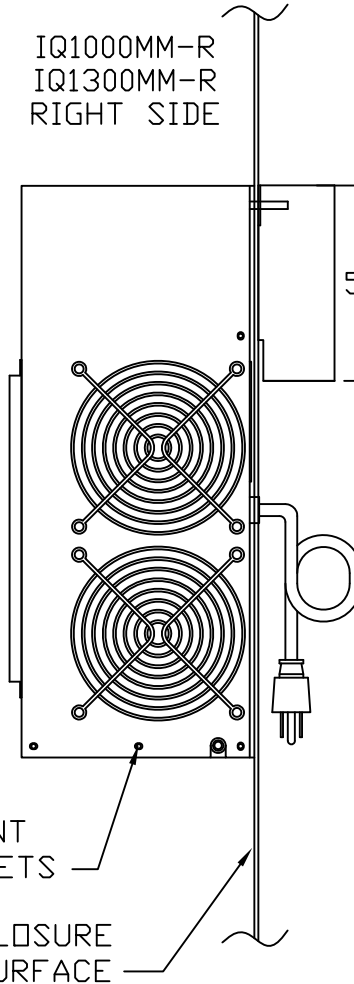


IQ1000MM-R  
IQ1300MM-R  
FRONT VIEW



AMBIENT  
AIR INLET

IQ1000MM-R  
IQ1300MM-R  
RIGHT SIDE

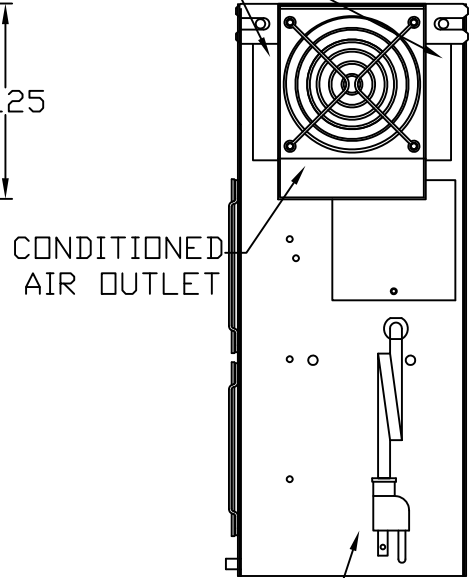


AMBIENT  
AIR OUTLETS

ENCLOSURE  
SURFACE

ENCLOSURE  
AIR INLET

IQ1000MM-R  
IQ1300MM-R  
REAR VIEW



CONDITIONED  
AIR OUTLET

POWER CORD

DIVERTER1001

**ICEcube** INDUSTRIAL CEILING EQUIPMENT  
140 VILLAGE AVENUE  
GREENSBORO, PA 15804  
724-837-8284 • 1-800-957-4284  
FAX 724-837-8285

IQ1000-1300MM-R

IQ000000 0

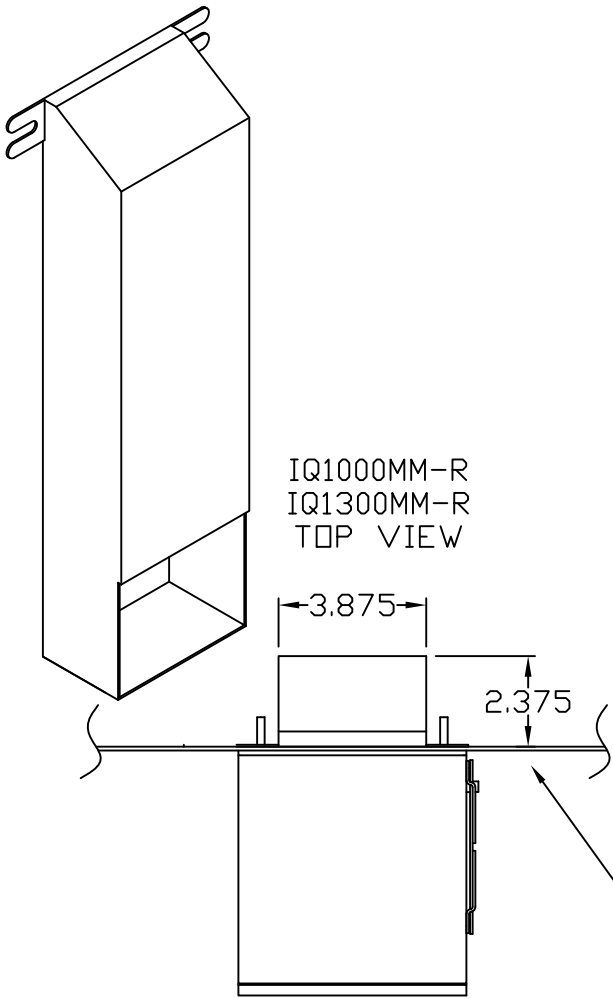
PROPRIETARY DRAWING  
THIS DRAWING IS THE PROPERTY OF ICE  
CUBE, INC. AND IS NOT TO BE REPLICATED  
OR ALTERED WITHOUT AUTHORIZATION OF  
ICE CUBE, INC.

DRAWN XXX SCALE NONE  
DATE X-X-XX  
SHEET 2 OF 2

# BOTTOM AIRFLOW

## Installing the Cold Air Diverter

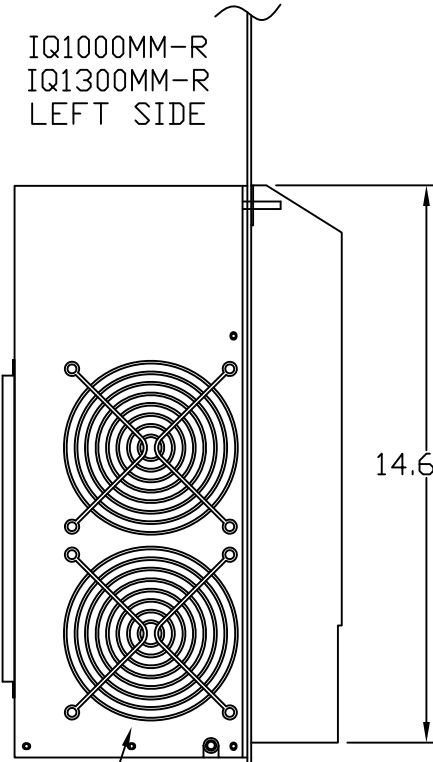
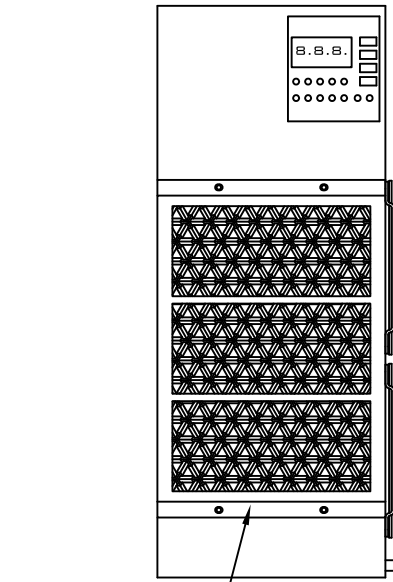
1. After checking that the gasket is in place, install the air conditioner to the enclosure securing with the 4 bolts provided in the installation kit.
2. From the inside of the enclosure, align the mounting holes for the air diverter with the top two studs of the air conditioner.
3. Install the 2, 1/4-20 nuts on the air conditioner mounting studs and securing to provide a gasket seal at the perimeter of the air conditioner.



IQ1000MM-R  
IQ1300MM-R  
FRONT VIEW

IQ1000MM-R  
IQ1300MM-R  
LEFT SIDE

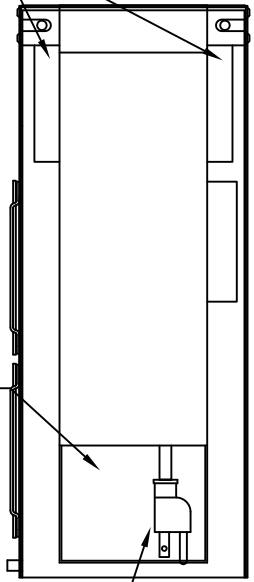
IQ1000MM-R  
IQ1300MM-R  
REAR VIEW



ENCLOSURE AIR INLET

CONDITIONED AIR OUTLET

POWER CORD EXITS BOTTOM OF COLD AIR DIVERTER



DIVERTER1002

**ICEcube** INDUSTRIAL CEILING EQUIPMENT  
140 MILLER AVENUE  
GREENSBORO, PA 15804  
724-837-0201 • 1-800-957-0204  
FAX 724-837-0205

IQ1000-1300MM-R

IQ000000 0

PROPRIETARY DRAWING  
THIS DRAWING IS THE PROPERTY OF ICE  
CUBE, INC. AND IS NOT TO BE REPLICATED  
OR ALTERED WITHOUT AUTHORIZATION OF  
ICE CUBE, INC.

DRAWN XXX SCALE NONE  
DATE X-X-XX  
SHEET 2 OF 2