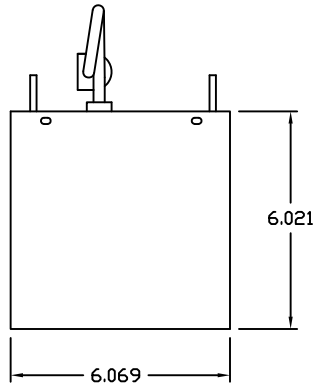
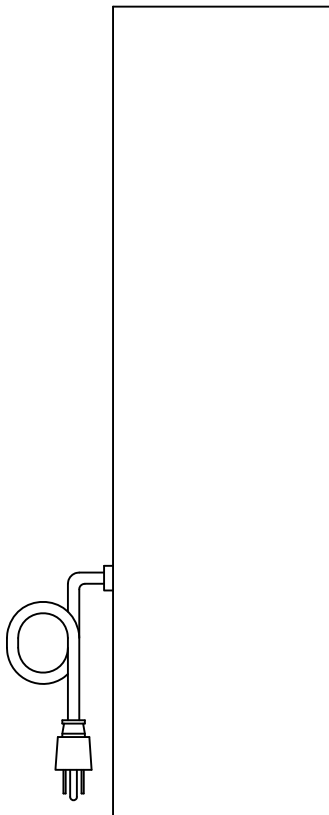


IQ2200MM  
 COOLING CAPACITY: 2200BTU/H @131°F  
 MAXIMUM AMPS: 6.0 @ 120V/60Hz  
 MAXIMUM AMPS: 3.5 @ 230V/60Hz  
 MAXIMUM AMPS: 9.0 @ 48VDC  
 MAXIMUM OPERATING TEMP:131°F  
 DIMENSIONS: 22.42"H X 6.07"W X 6.02"D  
 120 & 230V WEIGHT: 32 LBS  
 48VDC WEIGHT: 22 LBS

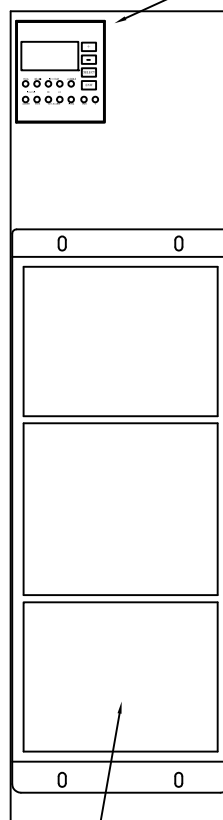
IQ2200MM  
TOP VIEW



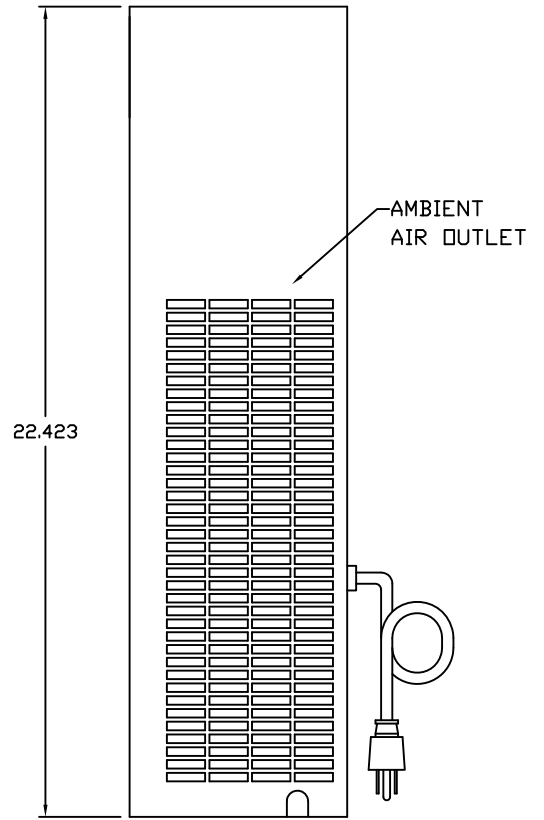
IQ2200MM  
LEFT VIEW



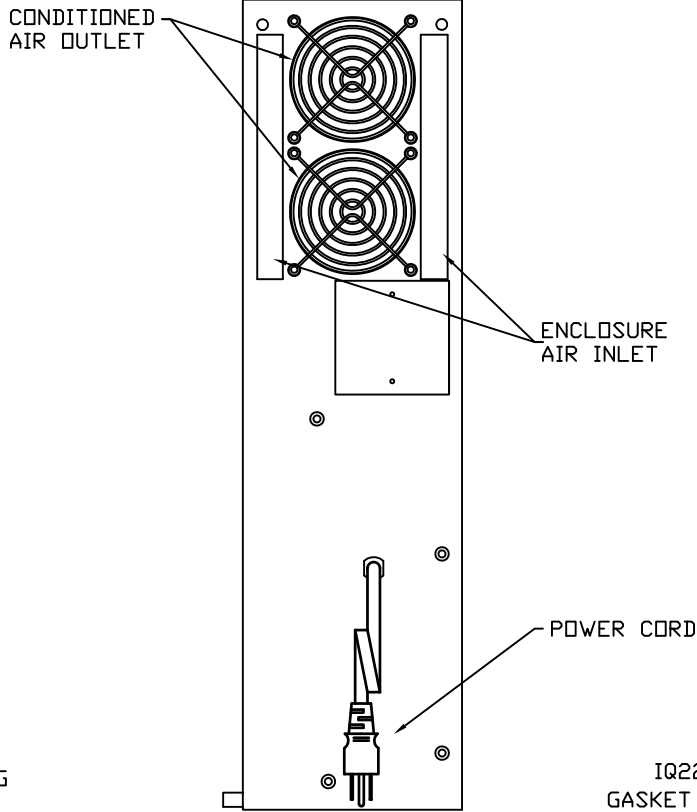
IQ2200MM  
FRONT VIEW



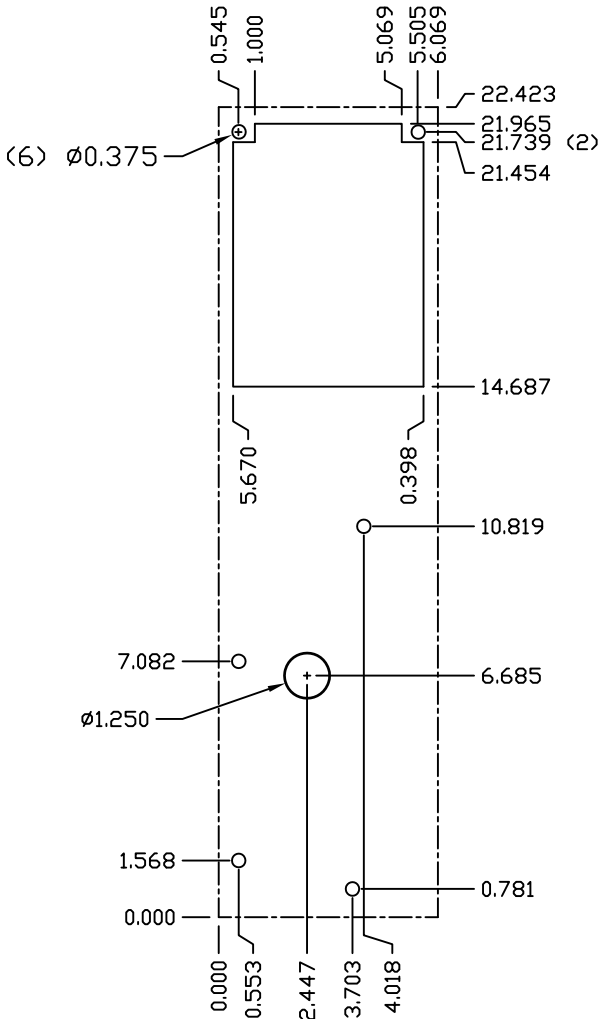
IQ2200MM  
RIGHT VIEW



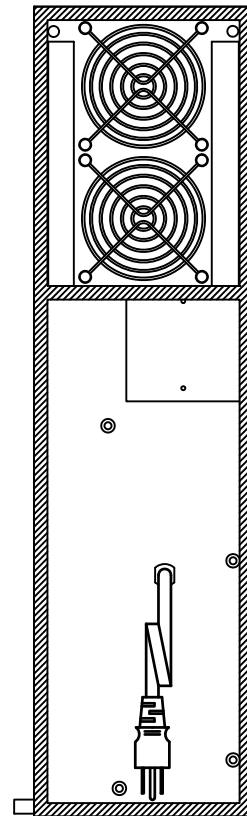
IQ2200MM  
REAR VIEW



IQ2200MM  
CUT OUT DRAWING



IQ2200MM  
GASKET DRAWING



**\*IMPORTANT\***  
GASKET MUST BE  
APPLIED AS SHOWN  
FOR PROPER OPERATION  
AND TO MAINTAIN  
NEMA INTEGRITY

2	ADDED 86VDC	9-29-11	JMH
1	CHANGED AMP'S	7-19-11	JMH
0	INITIAL RELEASE	4-7-10	JMH
REV	DESCRIPTION	DATE	CHECKED

PROPRIETARY DRAWING  
4-7-10  
SHEET 1 OF 2

DATE: 4-7-10  
SHEET 1 OF 2

IQ2200MM	
IQ300406	2