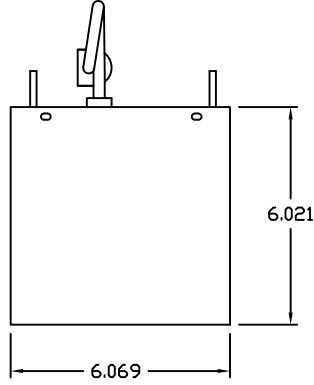
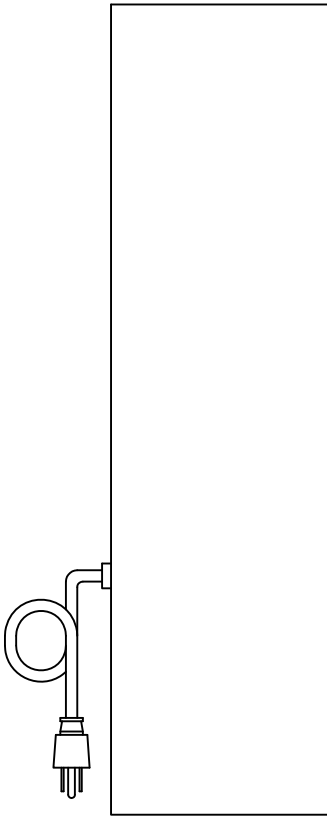


IQ2200MM
COOLING CAPACITY: 2200BTU/H @131°F
MAXIMUM AMPS: 6.0 @ 120V/60Hz
MAXIMUM AMPS: 3.5 @ 230V/60Hz
MAXIMUM OPERATING TEMP:131°F
DIMENSIONS: 22.42"H X 6.07"W X 6.02"D
WEIGHT: 32 LBS

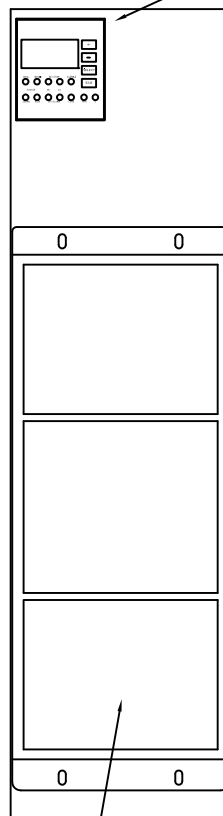
IQ2200MM
TOP VIEW



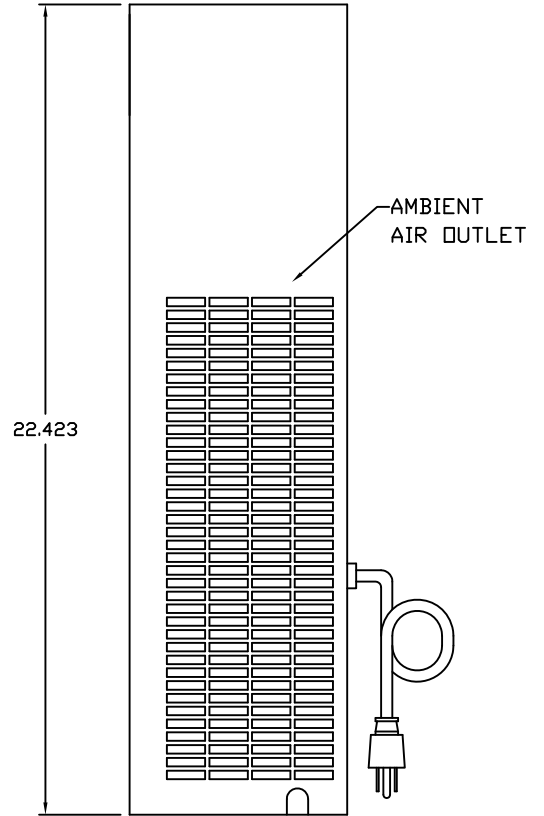
IQ2200MM
LEFT VIEW



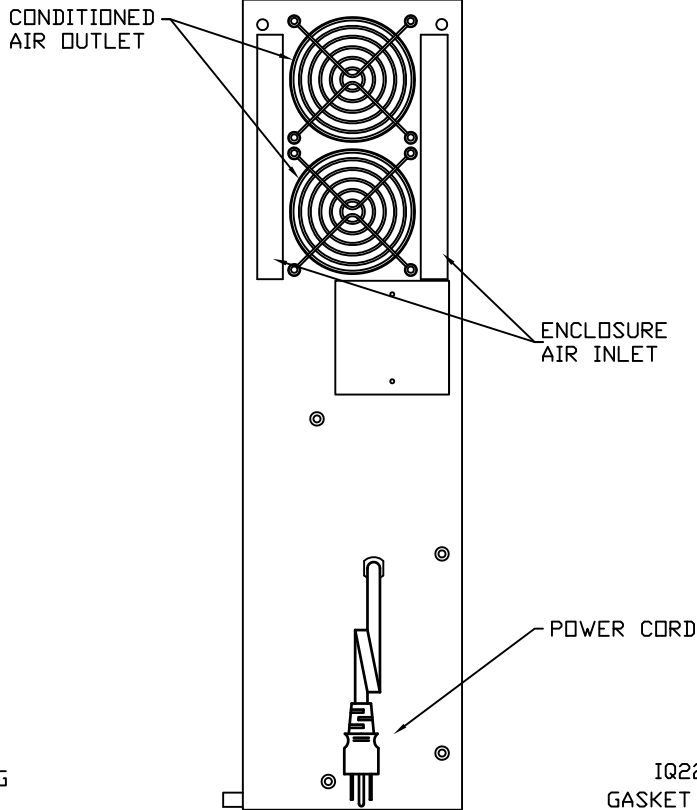
IQ2200MM
FRONT VIEW



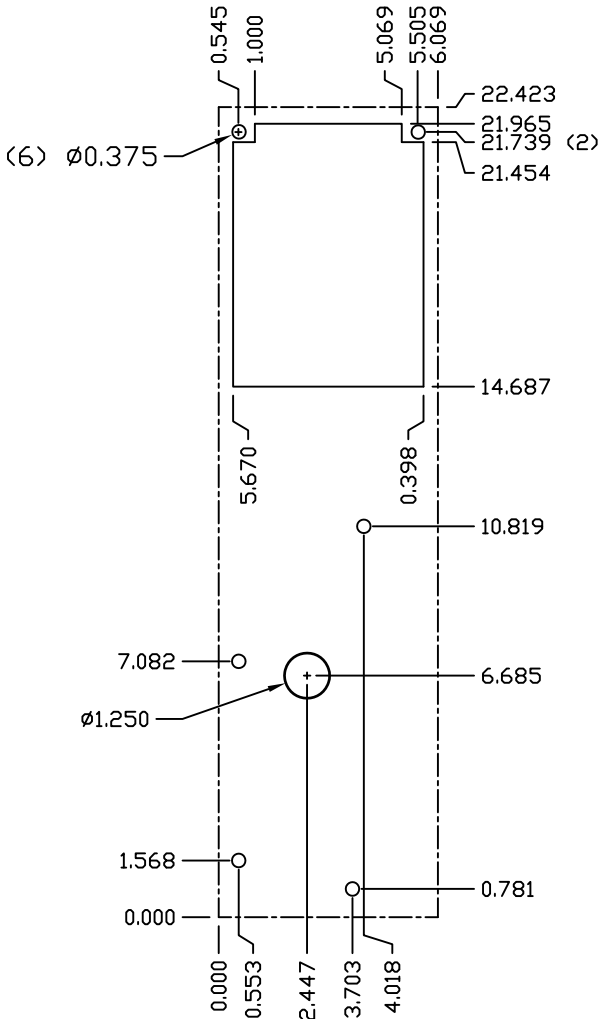
IQ2200MM
RIGHT VIEW



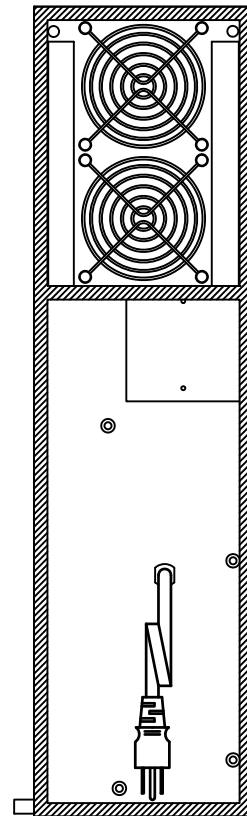
IQ2200MM
REAR VIEW



IQ2200MM
CUT OUT DRAWING



IQ2200MM
GASKET DRAWING



IMPORTANT
GASKET MUST BE
APPLIED AS SHOWN
FOR PROPER OPERATION
AND TO MAINTAIN
NEMA INTEGRITY

1	CHANGED AMPS	7-19-11	JMH
0	INITIAL RELEASE	4-7-10	JMH
REV	DESCRIPTION	DATE	CHECKED
	REVISIONS		

PROPRIETARY DRAWING
NOT BE LOANED, REPRODUCED, COPIED, OR
DISTRIBUTED WITHOUT THE WRITTEN
CONSENT OF THE COMPANY

DATE: 4-7-10
SHEET 1 OF 2

	INDUSTRIAL CELLULOSE CHEMICAL 20 MILLER AVENUE BRIDGEVIEW, PA 15003 TEL: 724-837-2200 FAX: 724-837-2201
IQ2200MM	IQ300406 1