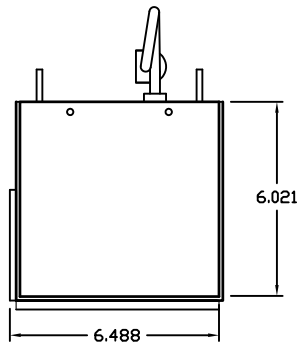
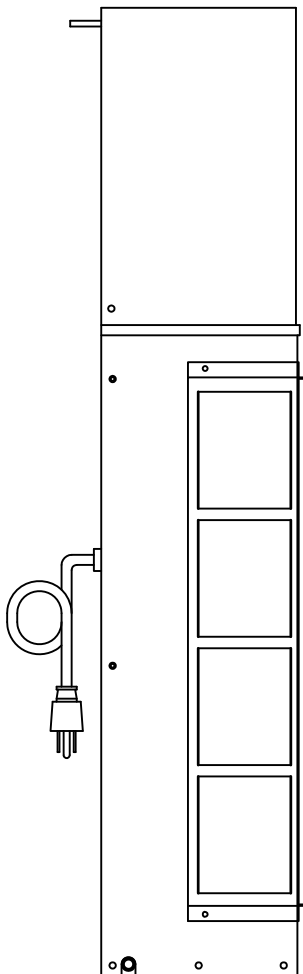


IQ3000MM
COOLING CAPACITY: 3000BTU/H @131°F
MAXIMUM OPERATING TEMP:131°F
MAXIMUM AMPS: 6.0 @ 120V/60Hz
MAXIMUM AMPS: 3.0 @ 230V/60Hz
DIMENSIONS: 30.02"H X 6.49"W X 6.02"D
WEIGHT: 45 LBS

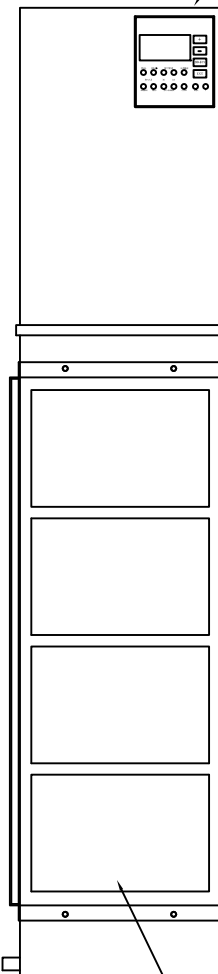
IQ3000MM
TOP VIEW



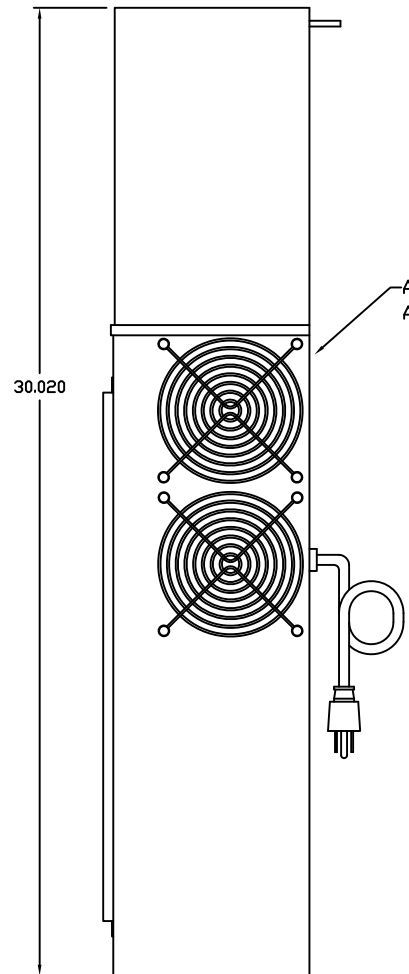
IQ3000MM
LEFT VIEW



IQ3000MM
FRONT VIEW



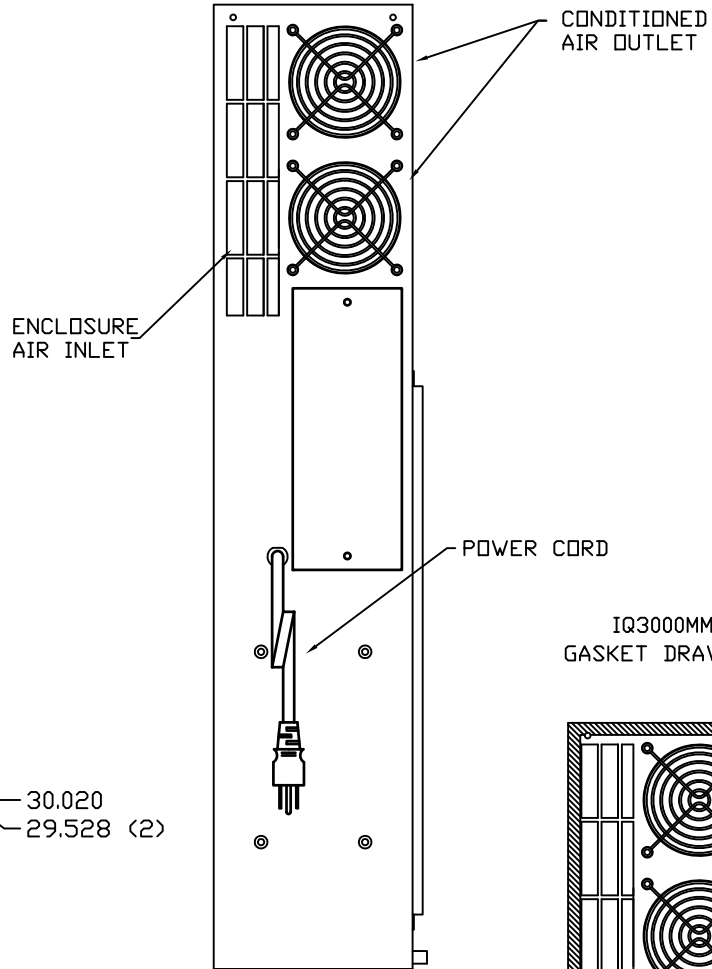
IQ3000MM
RIGHT VIEW



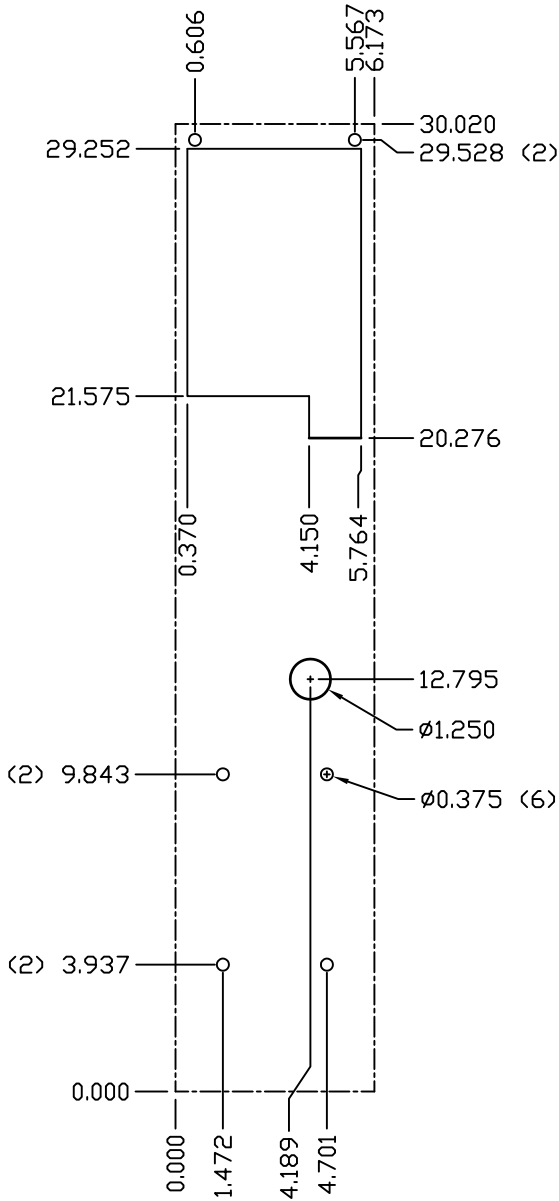
DRAIN
CONTROLLER
AMBIENT AIR INLET

AMBIENT AIR OUTLET

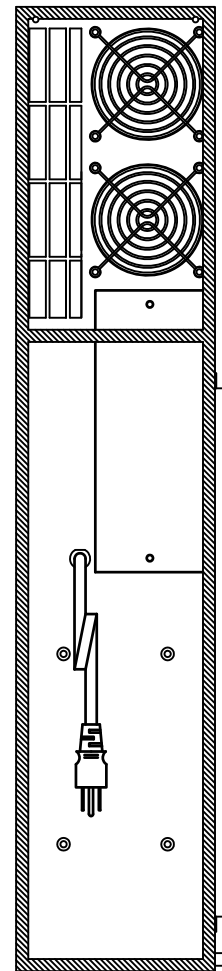
IQ3000MM
REAR VIEW



IQ3000MM
CUT OUT DRAWING



IQ3000MM
GASKET DRAWING



IMPORTANT
GASKET MUST BE
APPLIED AS SHOWN
FOR PROPER OPERATION
AND TO MAINTAIN
NEMA INTEGRITY

0	INITIAL RELEASE	4-7-10	JMH
REV	DESCRIPTION	DATE	CHECKED
	REVISIONS		

PROPRIETARY DRAWING
NOT BE LOANED, REPRODUCED, COPIED, OR
DISTRIBUTED WITHOUT THE WRITTEN
CONSENT OF THE COMPANY

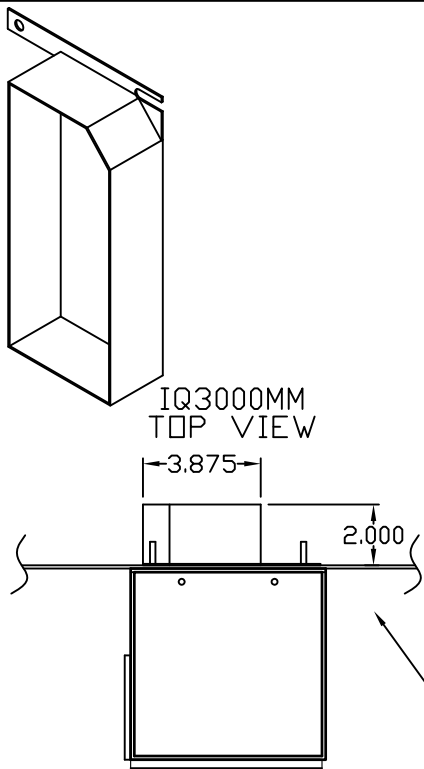
DATE: 4-7-10
SHEET 1 OF 2

	<small>INTERNET: CUBIC SYSTEMS</small> <small>3000 WALKER AVENUE</small> <small>ROSELAND, NJ 07068</small> <small>TEL: 201-992-2000</small>
IQ3000MM	
IQ300407	0

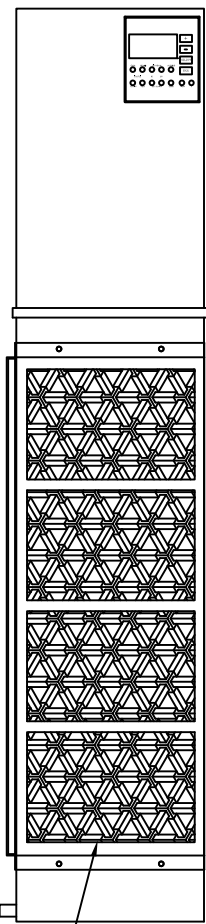
TOP AIRFLOW

Installing the Cold Air Diverter

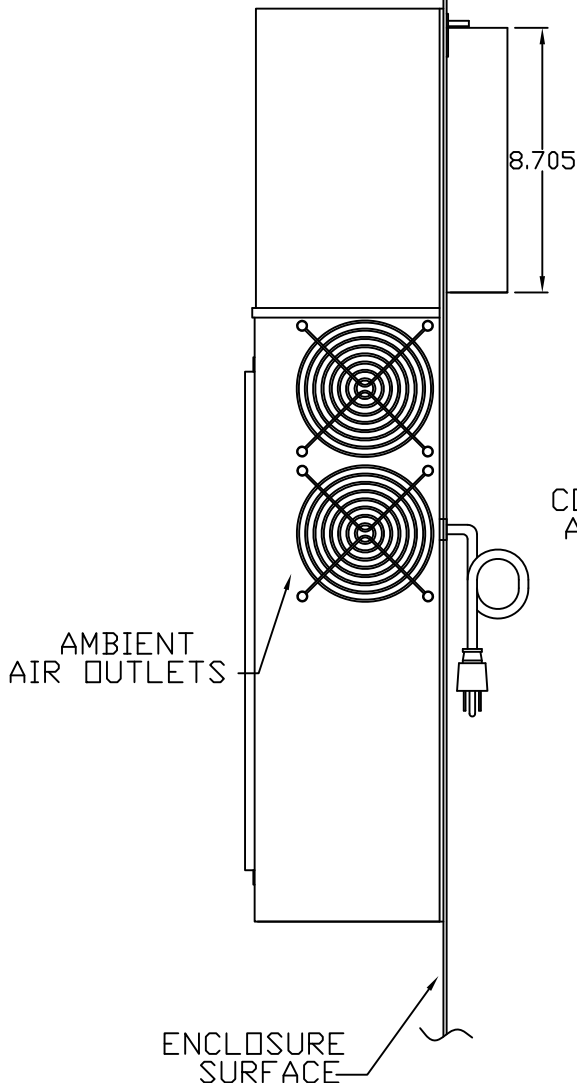
1. After checking that the gasket is in place, install the air conditioner to the enclosure securing with the 4 bolts provided in the installation kit.
2. From the inside of the enclosure, align the mounting holes for the air diverter with the top two studs of the air conditioner.
3. Install the 2, 1/4-20 nuts on the air conditioner mounting studs and securing to provide a gasket seal at the perimeter of the air conditioner.



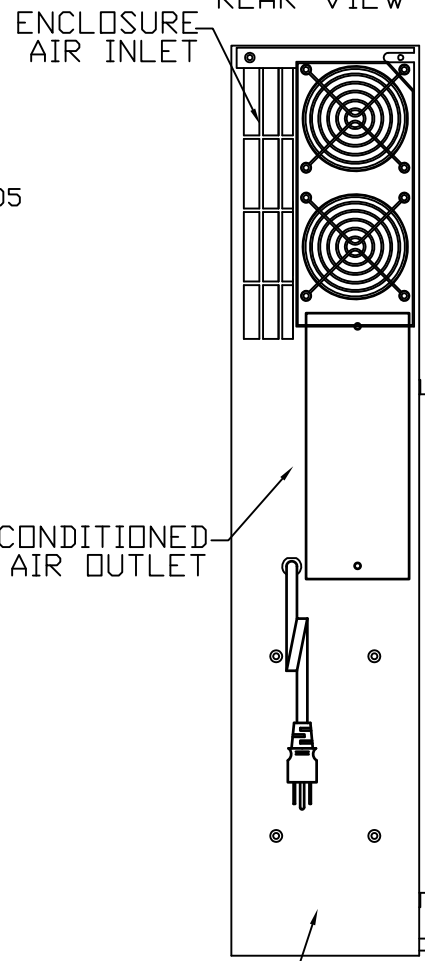
IQ3000MM
FRONT VIEW



IQ3000MM
RIGHT SIDE



IQ3000MM
REAR VIEW



DIVERTER1005

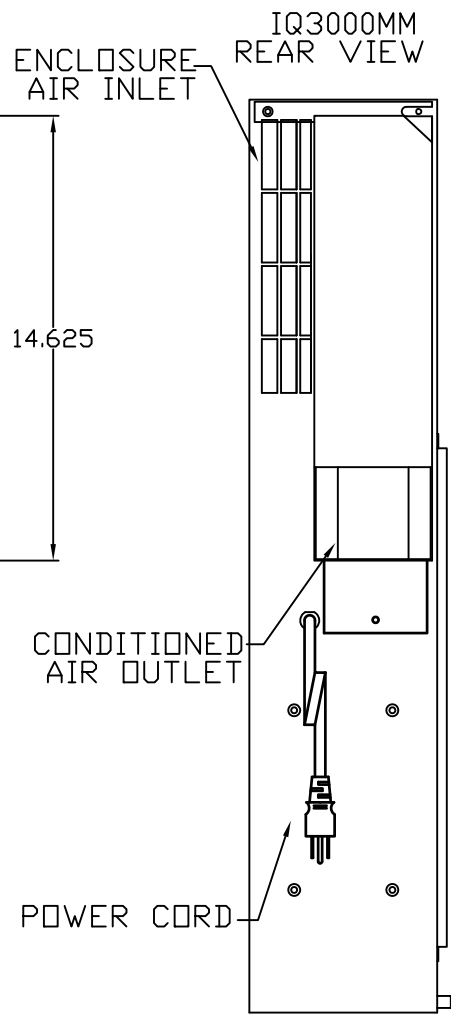
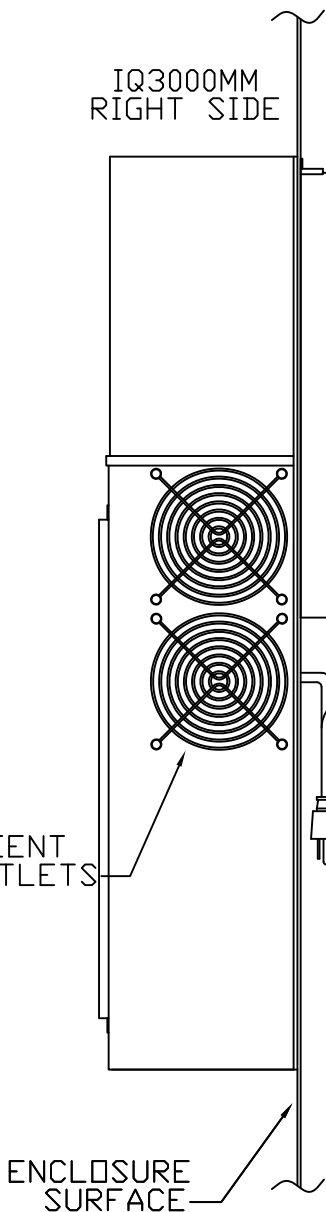
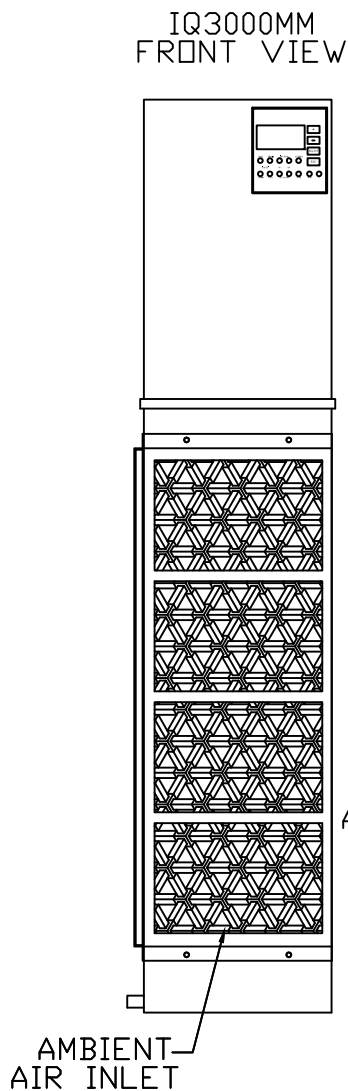
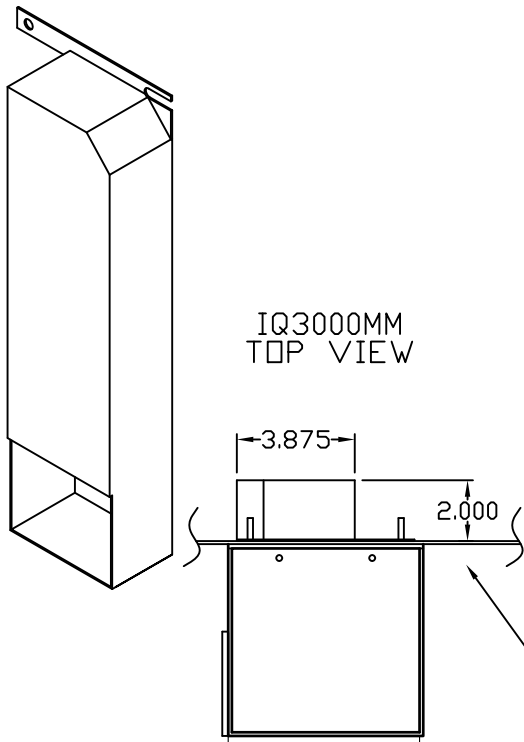
ICEcube INDUSTRIAL COOLING EQUIPMENT
140 VILLAGE AVENUE
GREENSBURG, PA 15601
724-837-8200 • 1-800-957-4234
FAX 724-837-8205

PROPRIETARY DRAWING <small>THIS DRAWING IS THE PROPERTY OF ICE CUBE, INC. AND IS NOT TO BE REPRODUCED OR ALTERED WITHOUT AUTHORIZATION OF ICE CUBE, INC.</small>	DRAWN XXX	SCALE NINE	IQ3000MM
	DATE X-X-XX		IQ000000
	SHEET 2 OF 2		0

BOTTOM AIRFLOW

Installing the Cold Air Diverter

1. After checking that the gasket is in place, install the air conditioner to the enclosure securing with the 4 bolts provided in the installation kit.
2. From the inside of the enclosure, align the mounting holes for the air diverter with the top two studs of the air conditioner.
3. Install the 2, 1/4-20 nuts on the air conditioner mounting studs and securing to provide a gasket seal at the perimeter of the air conditioner.



DIVERTER1004

ICEcube INDUSTRIAL CEILING EQUIPMENT
140 VOLVO DRIVE
GREENSBORO, PA 15804
724-837-8284 • 1-800-957-4234
FAX 724-837-8285

IQ3000MM

IQ000000 0

PROPRIETARY DRAWING

THIS DRAWING IS THE PROPERTY OF ICE CUBE, INC. AND IS NOT TO BE REPLICATED OR ALTERED WITHOUT AUTHORIZATION OF ICE CUBE, INC.

DRAWN: XXXX
DATE: X-X-XX
SCALE: NONE
SHEET 2 OF 2