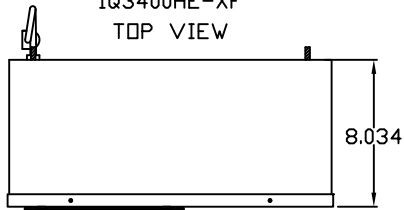


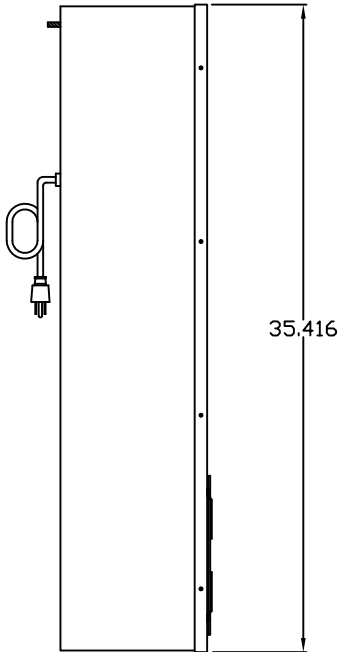
IQ3400HE-XF SPEC DRAWINGS REV 1

COOLING CAPACITY: 28 WATTS/°F  
DIMENSIONS: 35.42"H X 17.82"W X 8.03"D  
WEIGHT: 54 LBS.  
MAXIMUM AMPS: 1.26/1.39 @ 120/110VAC 60/50HZ  
MAXIMUM AMPS: .62/.68 @ 230/220VAC 60/50HZ  
MAXIMUM AMPS: 1.91 @ 48VDC

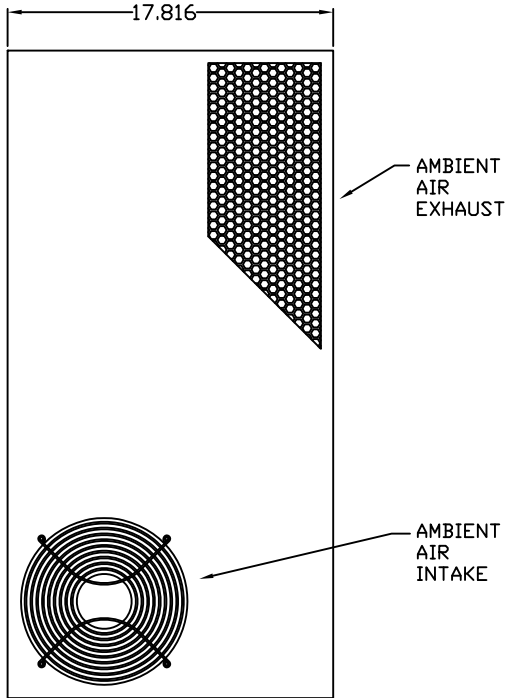
IQ3400HE-XF  
TOP VIEW



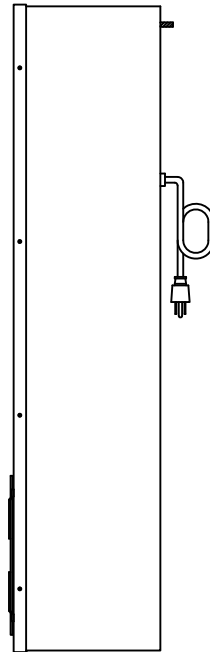
IQ3400HE-XF  
LEFT SIDE



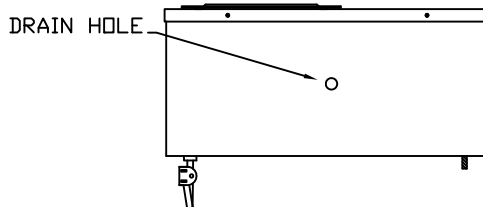
IQ3400HE-XF  
FRONT VIEW



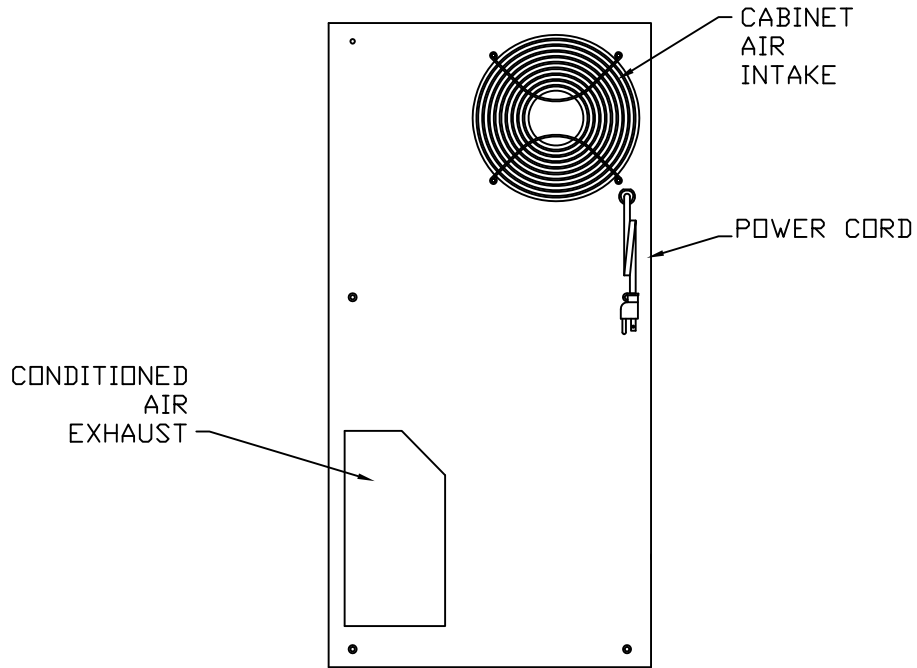
IQ3400HE-XF  
RIGHT SIDE



IQ3400HE-XF  
FRONT VIEW

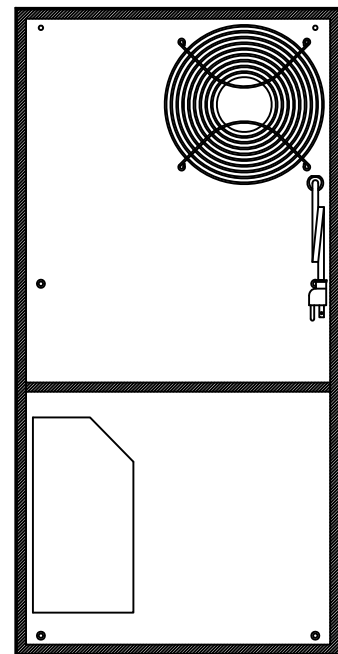
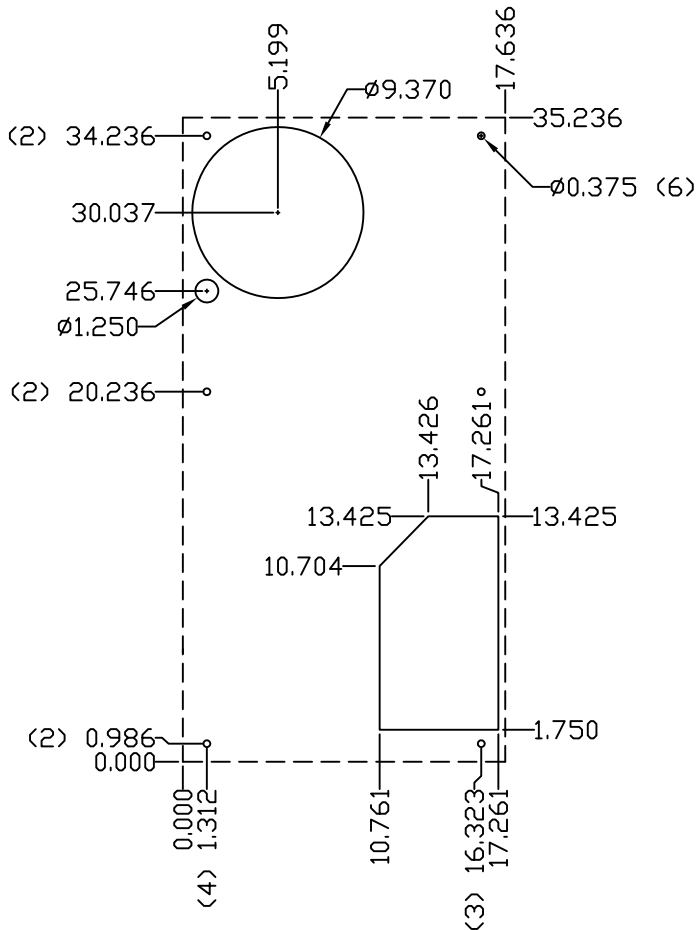


IQ3400HE-XF  
REAR VIEW



IQ3400HE-XF  
CUT OUT DRAWING

IQ3400HE-XF  
GASKET DRAWING



**\*IMPORTANT\***  
GASKET MUST BE  
APPLIED AS SHOWN  
AND TO MAINTAIN  
NEMA INTEGRITY.

1	MODIFIED AMBIENT INTAKE AND EXHAUST	7-19-11	JMH
0	INITIAL RELEASE	4-9-09	JMH
REV	DESCRIPTION	DATE	CHECKED
	REVISIONS		

PROPRIETARY DRAWING	DATE	REV	BY	CHKD	APP'D
	4-9-09				
SHEET 2 OF 2			IQ3400HE-XF		
			IQ291009		
			1		