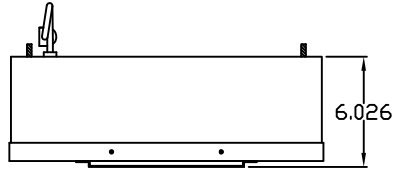


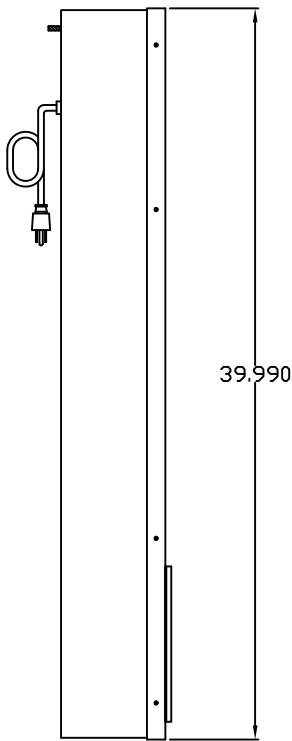
IQ6100HE-CF SPEC DRAWINGS REV 0

COOLING CAPACITY: 47 WATTS/°F
DIMENSIONS: 39.99"H X 17.18"W X 6.03"D
WEIGHT: 60 LBS.
MAXIMUM AMPS: 3.7/4.1 @120/110VAC 60/50HZ
MAXIMUM AMPS: 1.8/2.0 @230/220VAC 60/50HZ
MAXIMUM AMPS: 4.9 @ 48VDC

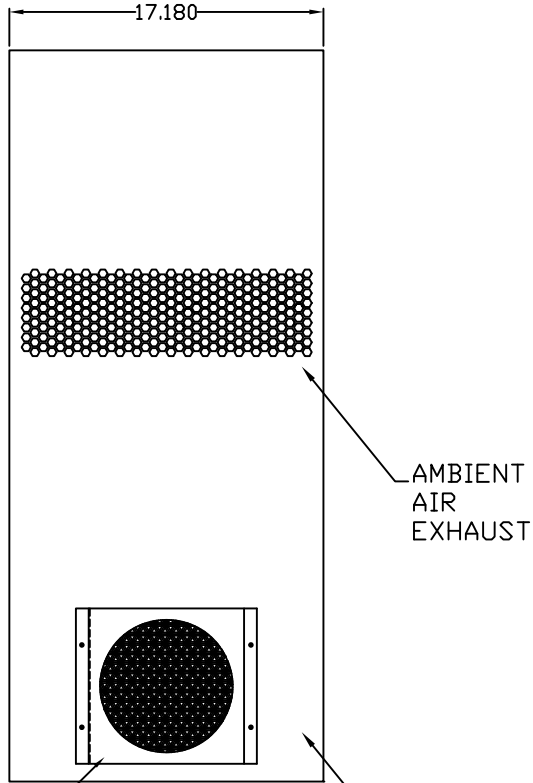
IQ6100HE-CF
TOP VIEW



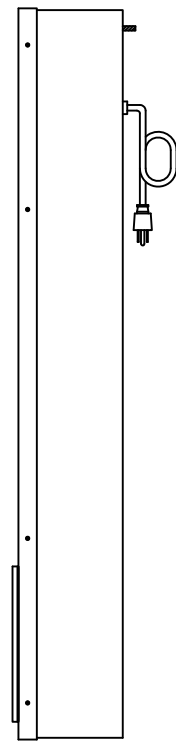
IQ6100HE-CF
LEFT SIDE



IQ6100HE-CF
FRONT VIEW



IQ6100HE-CF
RIGHT SIDE

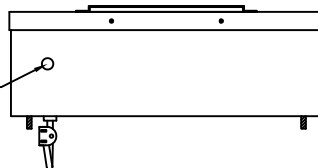


OPTIONAL: FILTER
COVER

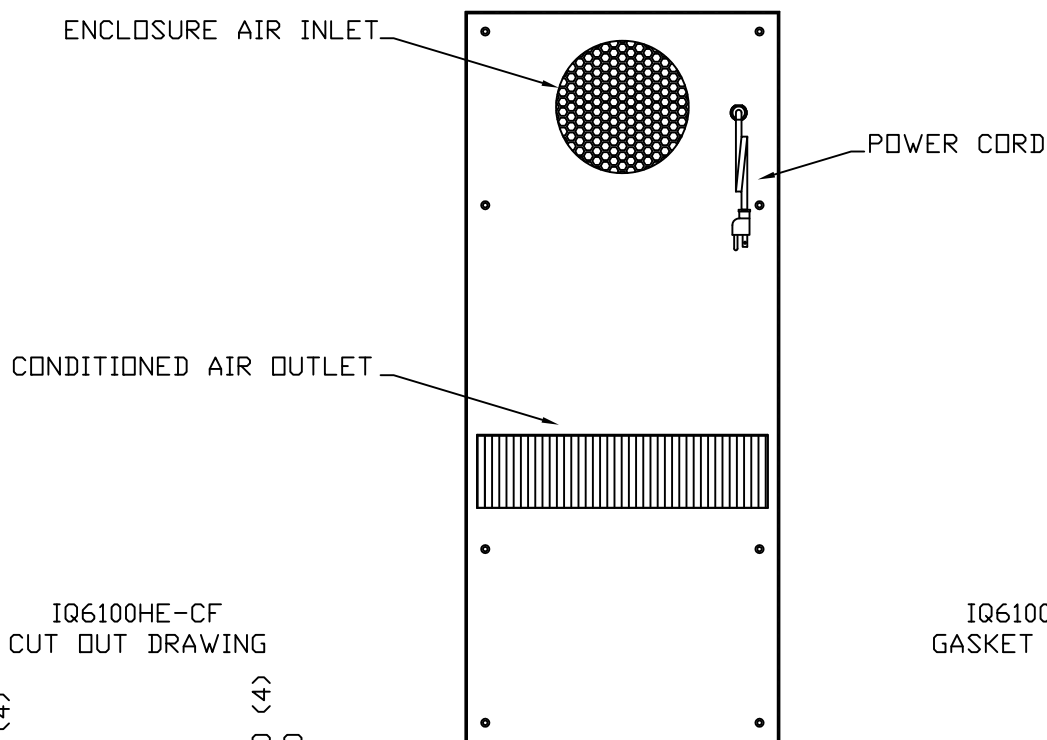
IQ6100HE-CF
FRONT VIEW

AMBIENT AIR
INTAKE

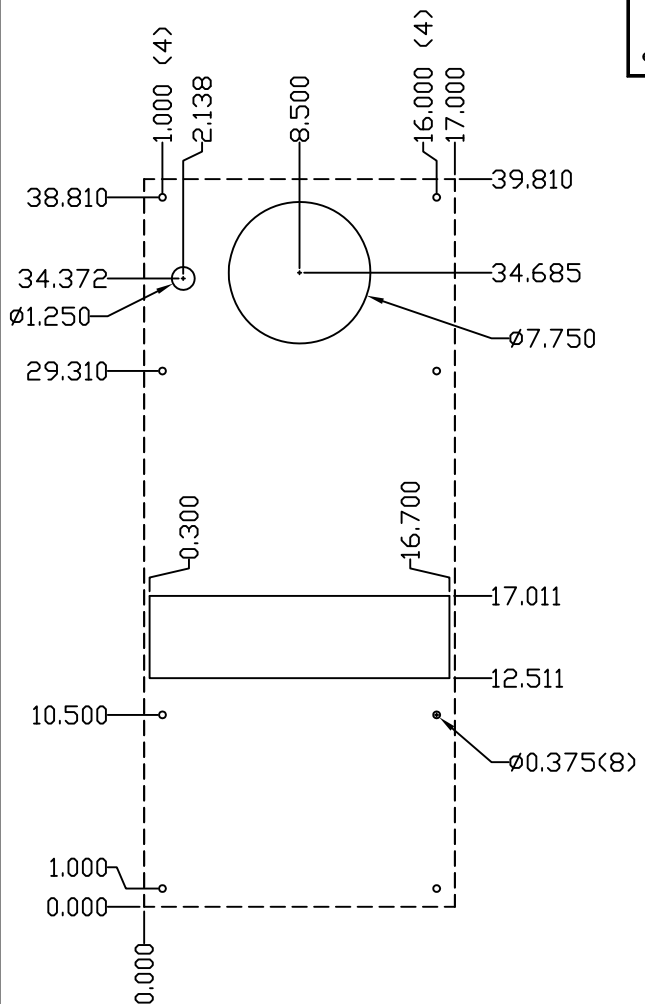
DRAIN HOLE



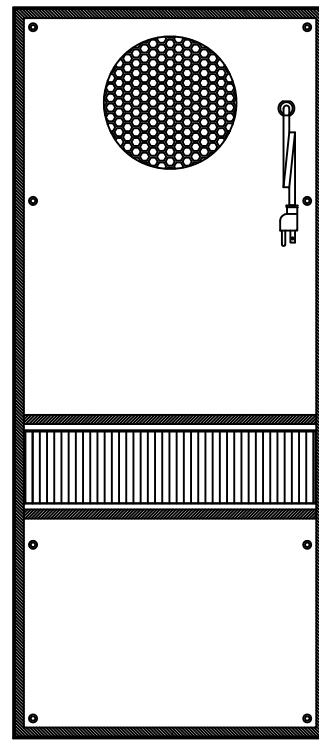
IQ6100HE-CF
REAR VIEW



IQ6100HE-CF
CUT OUT DRAWING



IQ6100HE-CF
GASKET DRAWING



IMPORTANT
GASKET MUST BE
APPLIED AS SHOWN
FOR PROPER OPERATION
AND TO MAINTAIN
NEMA INTEGRITY.

| | | | |
|-----|-----------------|----------|---------|
| 1 | AMP CHANGE | 11-23-09 | JMH |
| 0 | INITIAL RELEASE | 4-16-08 | JMH |
| REV | DESCRIPTION | DATE | CHECKED |
| | REVISIONS | | |

| | | | |
|---------------------|---------|-----|----|
| PROPRIETARY DRAWING | DATE | REV | BY |
| 4-16-08 | 4-16-08 | | |
| SHEET 1 OF 2 | | | |

| | |
|-------------|---|
| IQ6100HE-CF | 1 |
| IQ280221 | 1 |