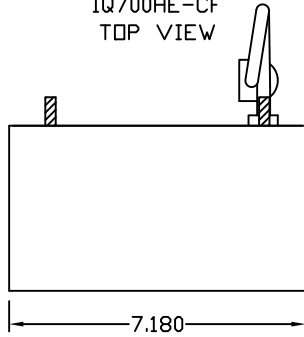
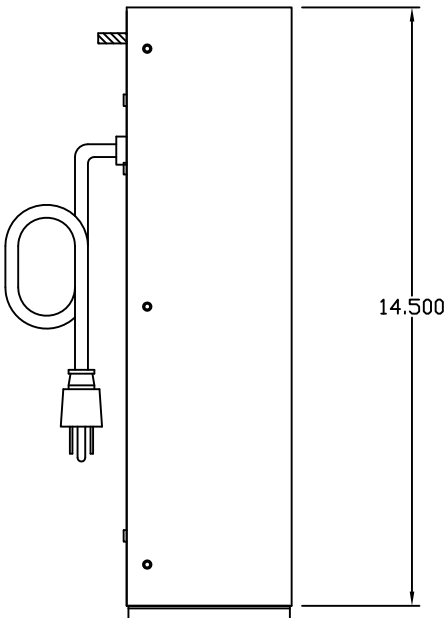


COOLING CAPACITY: 5.7 WATTS/°F  
DIMENSIONS: 14.50"H X 7.18"W X 4"D  
WEIGHT: 10 LBS.  
MAXIMUM AMPS: 1.2 @ 24VDC

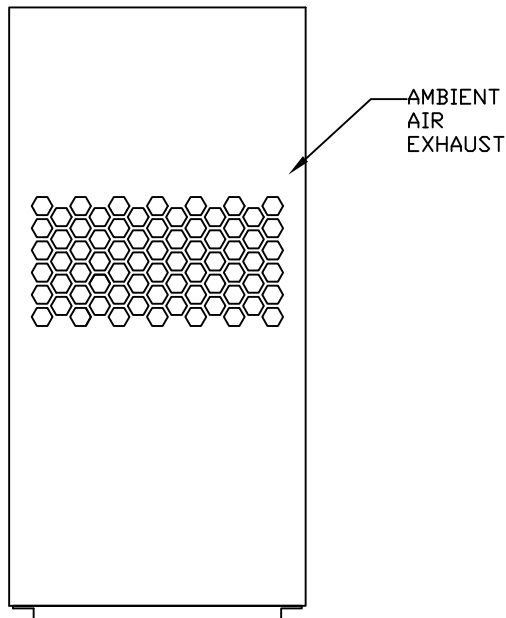
IQ700HE-CF  
TOP VIEW



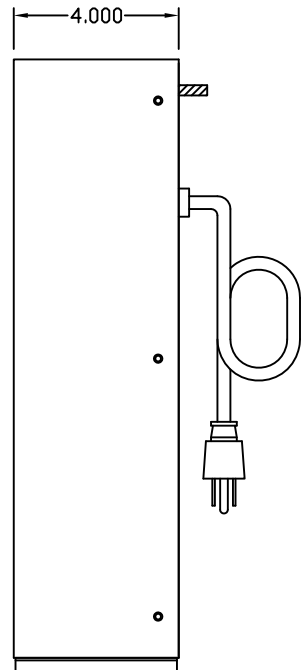
IQ700HE-CF  
LEFT SIDE



IQ700HE-CF  
FRONT VIEW

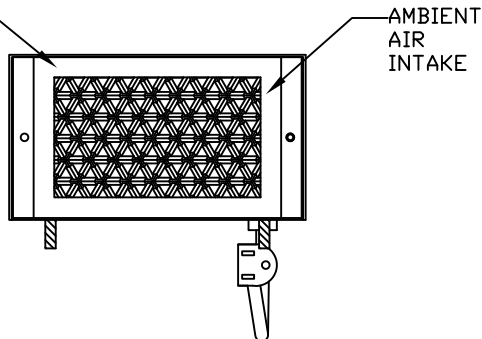


IQ700HE-CF  
RIGHT SIDE



OPTIONAL: FILTER COVER

IQ700HE-CF  
BOTTOM VIEW



IQ700HE-CF  
SUBJECT TO CHANGE