

IQ1000V SPEC DRAWINGS REV 5

COOLING CAPACITY: 1000 BTUH @131°F

MAXIMUM AMPS: 3.1 @120V/60HZ

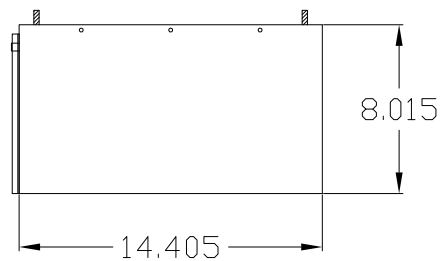
MAXIMUM AMPS: 1.6/1.8 @230/220V 60/50HZ

MAXIMUM OPERATING TEMP.: 131°F

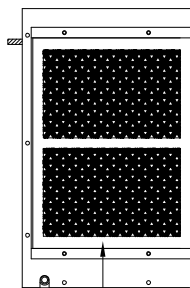
DIMENSIONS: 13.27"H X 14.41"W X 8.02"D

WEIGHT: 37 LBS

IQ1000V
TOP VIEW

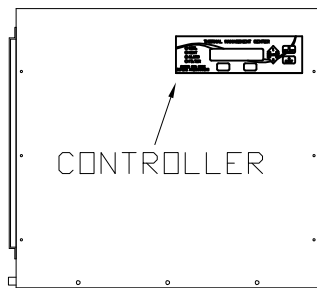


IQ1000V
LEFT SIDE

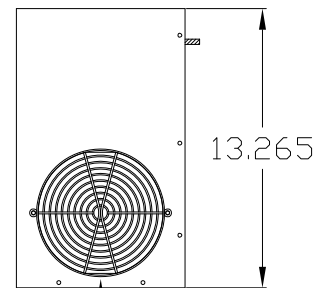


AMBIENT
AIR INLET

IQ1000V
FRONT VIEW



IQ1000V
RIGHT SIDE



AMBIENT
AIR OUTLET

PROPRIETARY DRAWING
THIS DRAWING IS THE PROPERTY OF ICE
CUBE, INC. AND IS NOT TO BE REPRODUCED
OR ALTERED WITHOUT THE WRITTEN CONSENT OF
ICE CUBE, INC.

DRAWN: JMH SCALE: NONE
DATE: 12-6-07
SHEET 2 OF 2

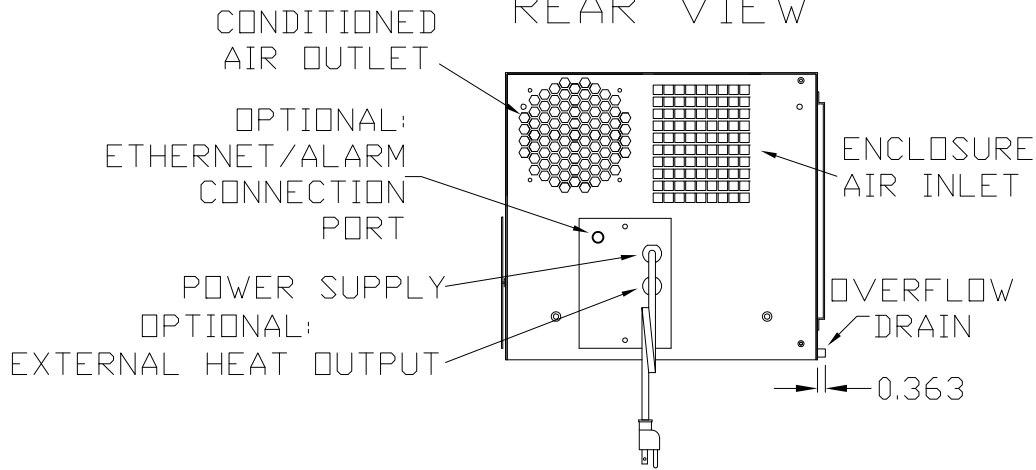
Ice
Cube INDUSTRIAL COOLING EQUIPMENT
141 WILSON AVENUE
GREENSBURG, PA 15601
724-837-3204 • 1-800-857-8234
FAX 724-837-3386

IQ1000V

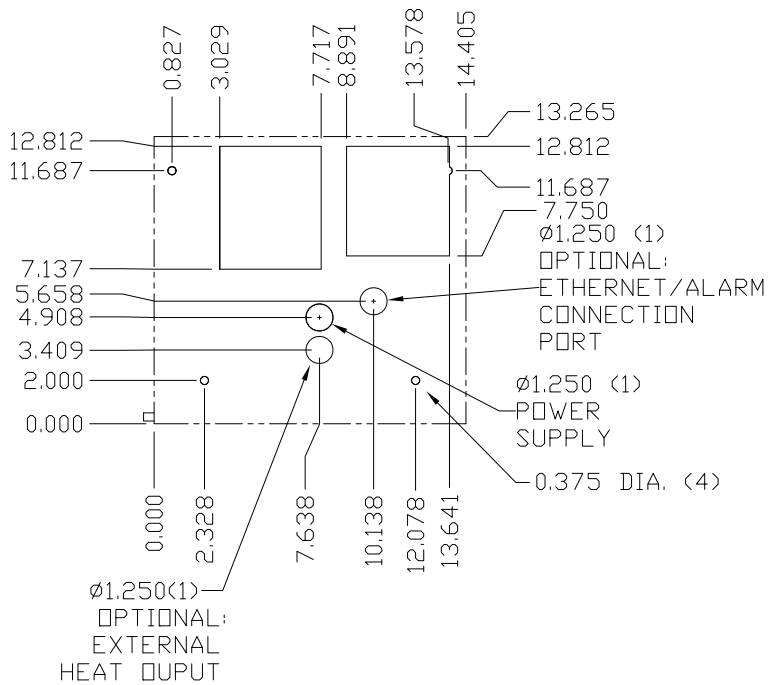
IQ280208

5

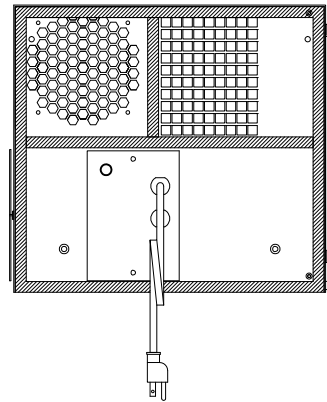
IQ1000V REAR VIEW



IQ1000V CUTOUT DRAWING



IQ1000V GASKET DRAWING



IMPORTANT
GASKET MUST BE
APPLIED AS SHOWN
FOR PROPER OPERATION
AND TO MAINTAIN
NEMA INTEGRITY

REV	DESCRIPTION	DATE	CHECKED
5	ADDED ALARM TO ETHERNET CONN PORT NOTES	4-9-12	JJH
4	ADDED ETHERNET HOLE, DIMENSION CHANGE	6-16-11	JMH
3	UPDATED VIEW	2-6-08	JMH
2	UPDATED VIEW	1-14-08	JMH
1	ADDED REV LEVEL AND DRAWING # BLOCK	4-8-08	JMH
0	INITIAL RELEASE	12-6-07	JMH

PROPRIETARY DRAWING
THIS DRAWING IS THE PROPERTY OF ICE
CUBE, INC. AND IS NOT TO BE REPLICATED
OR ALTERED WITHOUT AUTHORIZATION OF
ICE CUBE, INC.

DRAWN: JJH SCALE: NONE
DATE: 12-6-07
SHEET 1 OF 2

	INDUSTRIAL COOLING EQUIPMENT 141 WILSON AVENUE GREENSBURG, PA 15601 724-837-8204 # 1-888-067-8234 FAX 724-837-3286	
	IQ1000V	5
IQ280208		5