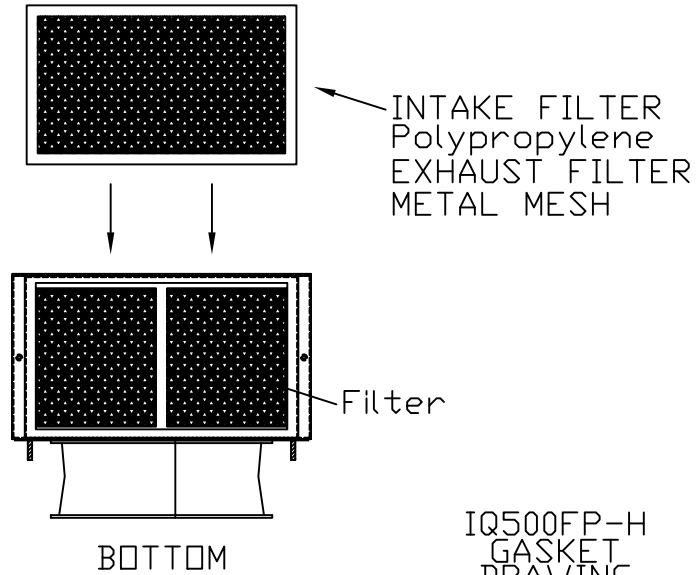
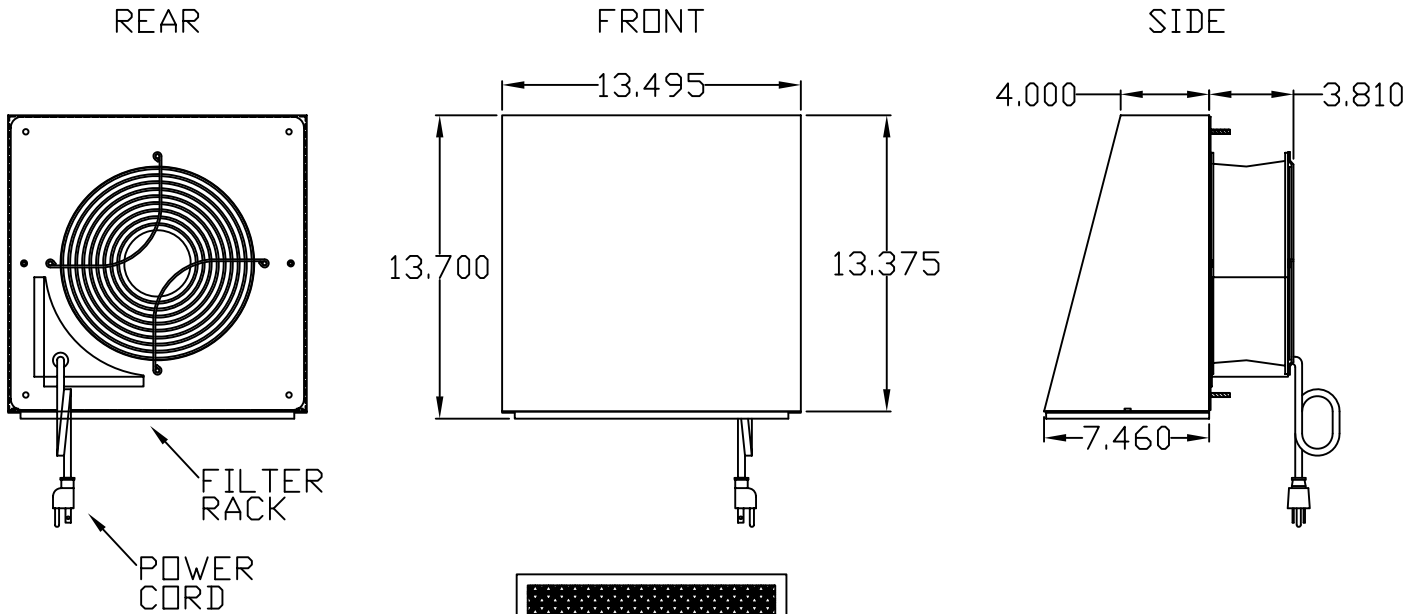
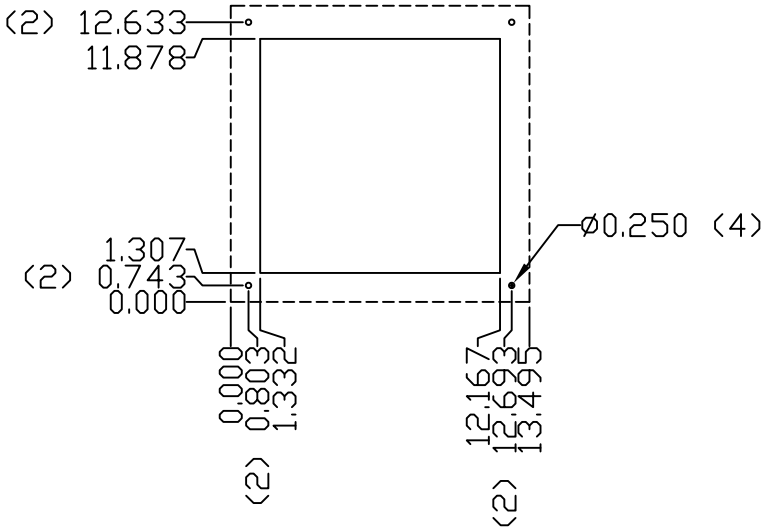


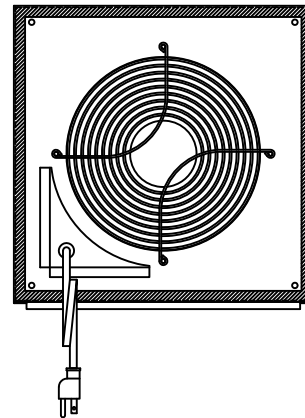
IQ500FP-H SPEC DRAWING
 547/442 CFM FREE AIR @ 120/110 VAC 60/50 HZ
 547/442 CFM FREE AIR @ 240/220 VAC 60/50 HZ
 MAXIMUM AMPS : .28/.30 @ 120/110 VAC 60/50 HZ
 MAXIMUM AMPS : .14/.15 @ 240/220 VAC 60/50 HZ
 MAXIMUM OPERATING TEMPERATURE : 158°F
 WEIGHT: 24 LBS



IQ500FP-H CUTOUT DRAWING



IQ500FP-H GASKET DRAWING



PROPRIETARY DRAWING
 THIS DRAWING IS THE PROPERTY OF IQE
 NO ALTERS, REPRODUCTIONS, OR COPIES TO BE MADE WITHOUT THE WRITTEN AUTHORIZATION OF IQE, INC.

DRAWN: JPH
 SCALE: NONE
 DATE: 10-19-07
 SHEET 1 OF 1

		INDUSTRIAL COOLING EQUIPMENT 141 WILSON AVENUE GREENSBORO, PA 15601 784-637-0884 # 1-888-947-8884 FAX: 784-637-3086	
IQ500FP-H		IQ270812	
0		0	