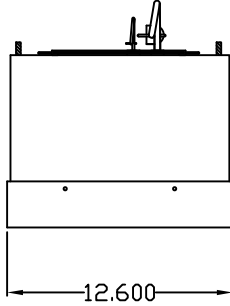
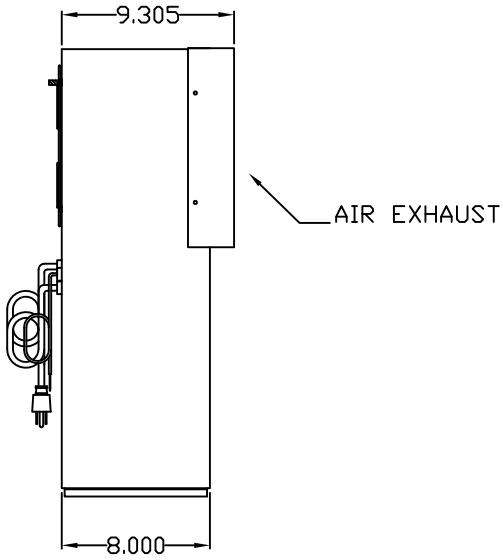


IQ500VP
 500 CFM MAXIMUM
 .06 AMPS @ 120 VAC
 1.33 AMPS @ 48 VDC
 DIMENSIONS: 24.20"H X 12.60"W X 9.31"D
 WEIGH : 43 LBS.

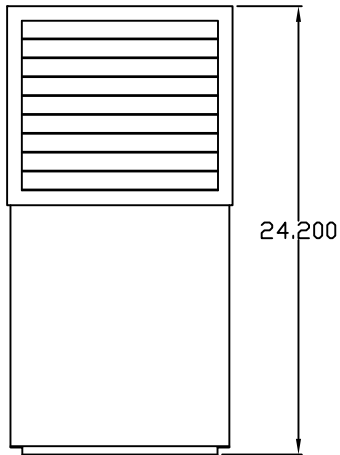
TOP



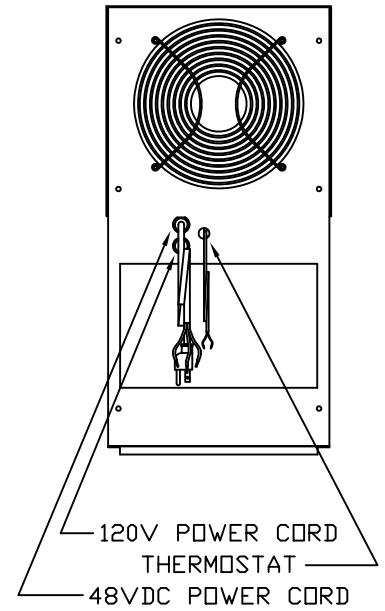
LEFT SIDE



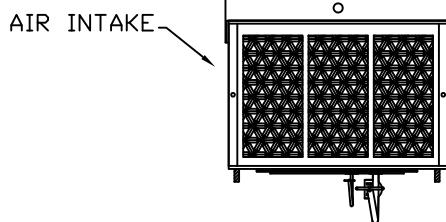
FRONT



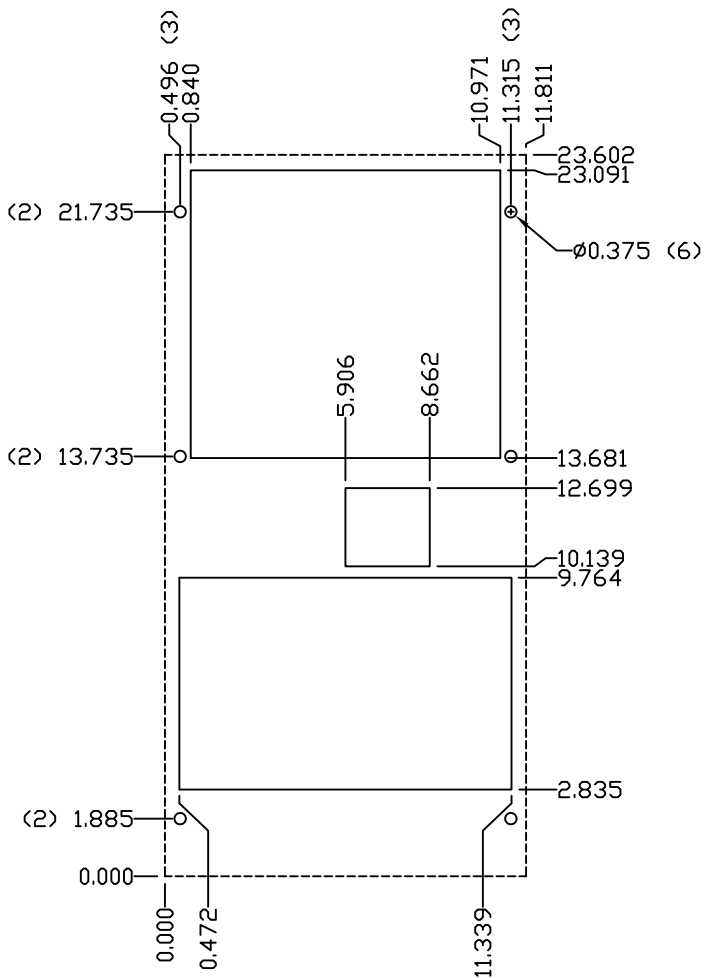
REAR



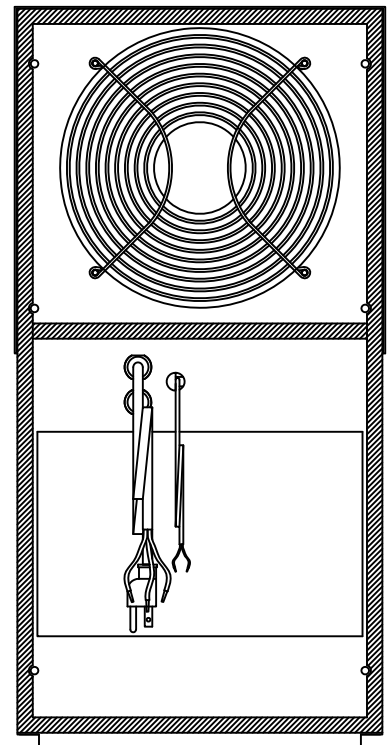
BOTTOM



CUTOUT DRAWING



GASKET DRAWING



GASKET MUST BE
APPLIED AS SHOWN
FOR PROPER OPERATION
AND TO MAINTAIN
NEMA INTEGRITY

PROPRIETARY DRAWING
THIS DRAWING IS THE PROPERTY OF IFC
CUBE, INC. AND IS NOT TO BE REPRODUCED
OR ALTERED WITHOUT AUTHORIZATION OF
IFC CUBE, INC.

DRAWN JCH SCALE NONE
DATE 10-19-07
SHEET 2 OF 2

**IFC
Cube** INDUSTRIAL CEILING EQUIPMENT
341 WILSON AVENUE
GREENBURGH, PA 15601
784-837-3224 • 1-800-963-8234
FAX 784-837-3386

IQ500VP

IQ300604

0