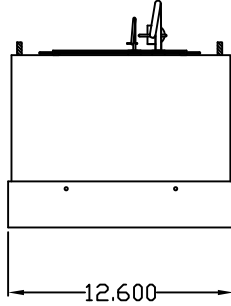
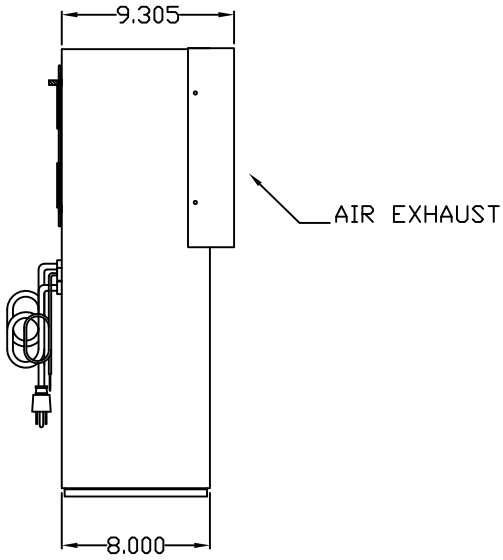


IQ500VP  
 500 CFM MAXIMUM  
 .03 AMPS @ 230 VAC  
 1.33 AMPS @ 48 VDC  
 DIMENSIONS: 24.20"H X 12.60"W X 9.31"D  
 WEIGH : 43 LBS.

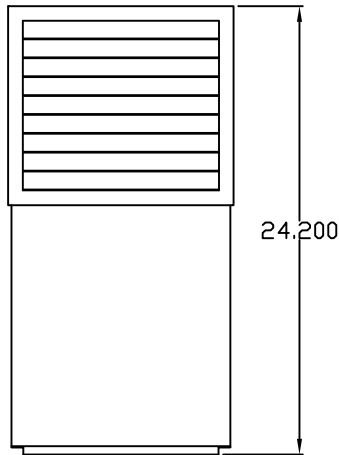
TOP



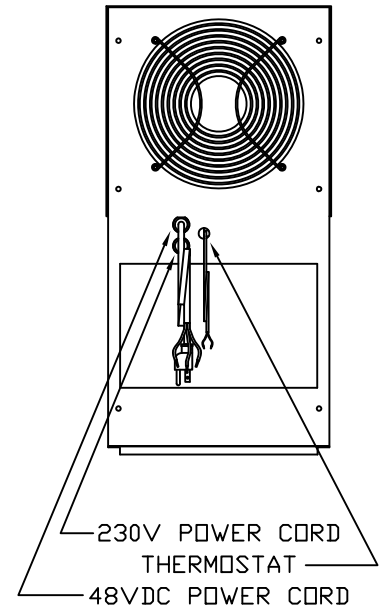
LEFT SIDE



FRONT

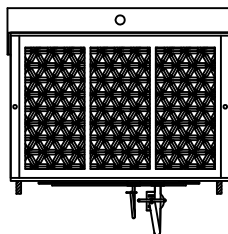


REAR

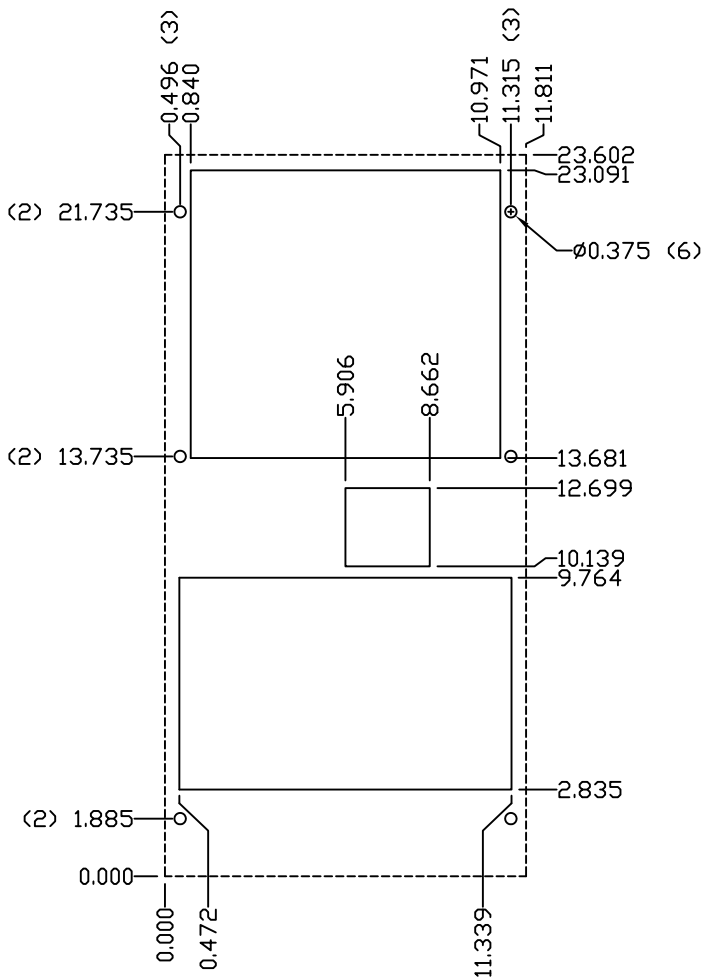


BOTTOM

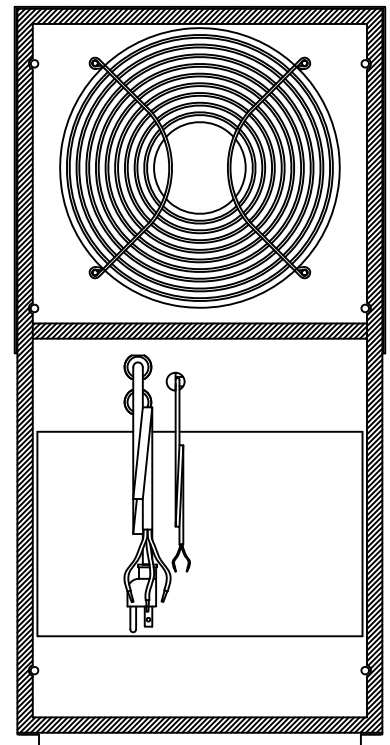
AIR INTAKE



# CUTOUT DRAWING



# GASKET DRAWING



GASKET MUST BE  
APPLIED AS SHOWN  
FOR PROPER OPERATION  
AND TO MAINTAIN  
NEMA INTEGRITY

PROPRIETARY DRAWING  
THIS DRAWING IS THE PROPERTY OF IFC  
CUBE, INC. AND IS NOT TO BE REPRODUCED  
OR ALTERED WITHOUT AUTHORIZATION OF  
IFC CUBE, INC.

DRAWN JCH SCALE NONE  
DATE 10-19-07  
SHEET 2 OF 2

**IFC  
Cube** INDUSTRIAL CEILING EQUIPMENT  
341 WILSON AVENUE  
GREENBURG, PA 15601  
724-837-3224 • 1-800-963-8234  
FAX 724-837-3386

IQ500VP

IQ300604

0