

Filter Fan VentPAK

Emergency Backup – 500 CFM – NEMA 4 Rated

Standard Features
Technical Data
Air Flow

ICEqube

Cooling Solutions



The Ice Qube VentPAK has been designed to provide outside ventilation air flow through an electronic equipment enclosure in the event of a power outage or air conditioner failure.

The uniquely designed Filter Fan VentPAK is ideal for any industry where AC power is available and DC battery power is used for emergency backup.

If the AC powered air conditioning fails the Filter Fan VentPAK will operate on a DC power supply until the AC power and air conditioning is restored.

Standard Features

- 48VDC Emergency backup vent system.
- 500 CFM Air flow @ 48VDC.
- NEMA 4 Rated.
- Available in 120V and 230V 500 CFM models.

US Patent No. 8,070,569

Canadian Patent No. 2,703,516

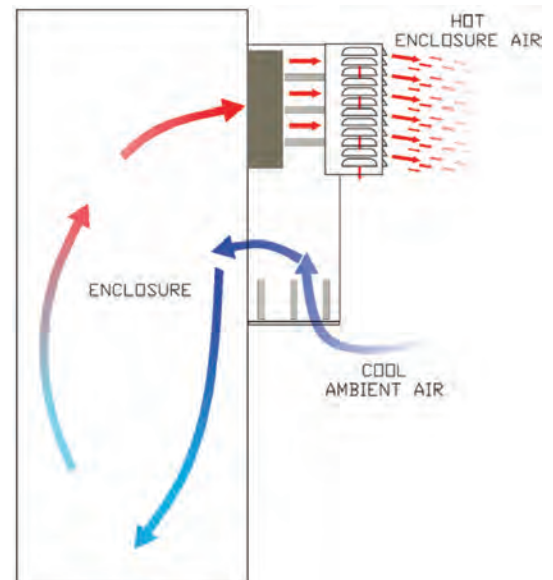
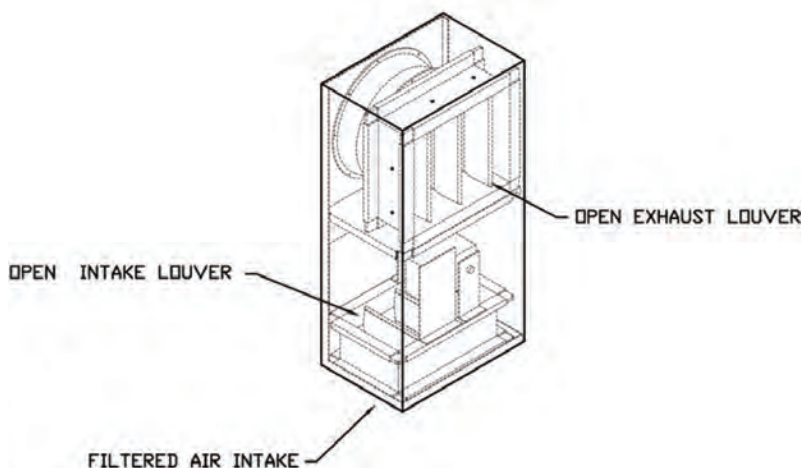
Mexican Patent No. 294,744

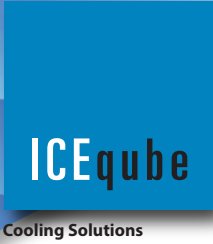
Technical Data

VentPAK
500 CFM

Model	Volts A/C	Volts D/C	Amps A/C	Amps D/C	CFM**	Weight (lbs.)	Dimensions
IQ500VP-126	120	48	0.06	1.33	500	43	H 24.20" (615mm) x W 12.60" (320mm) x D 9.31" (237mm)
IQ500VP-236	230	48	0.03	1.33	500	43	H 24.20" (615mm) x W 12.60" (320mm) x D 9.31" (237mm)

**Above ratings are Free Air. Actual CFM of air will be determined by the restriction to airflow by equipment within the enclosure and the condition of the air.





Filter Fan VentPAK

Emergency Backup – 500 CFM – NEMA 4 Rated

Standard Features
Technical Data
Air Flow

Specification Drawings

Drawings are for illustration purposes of 120/230V units only. Data is subject to change.

