

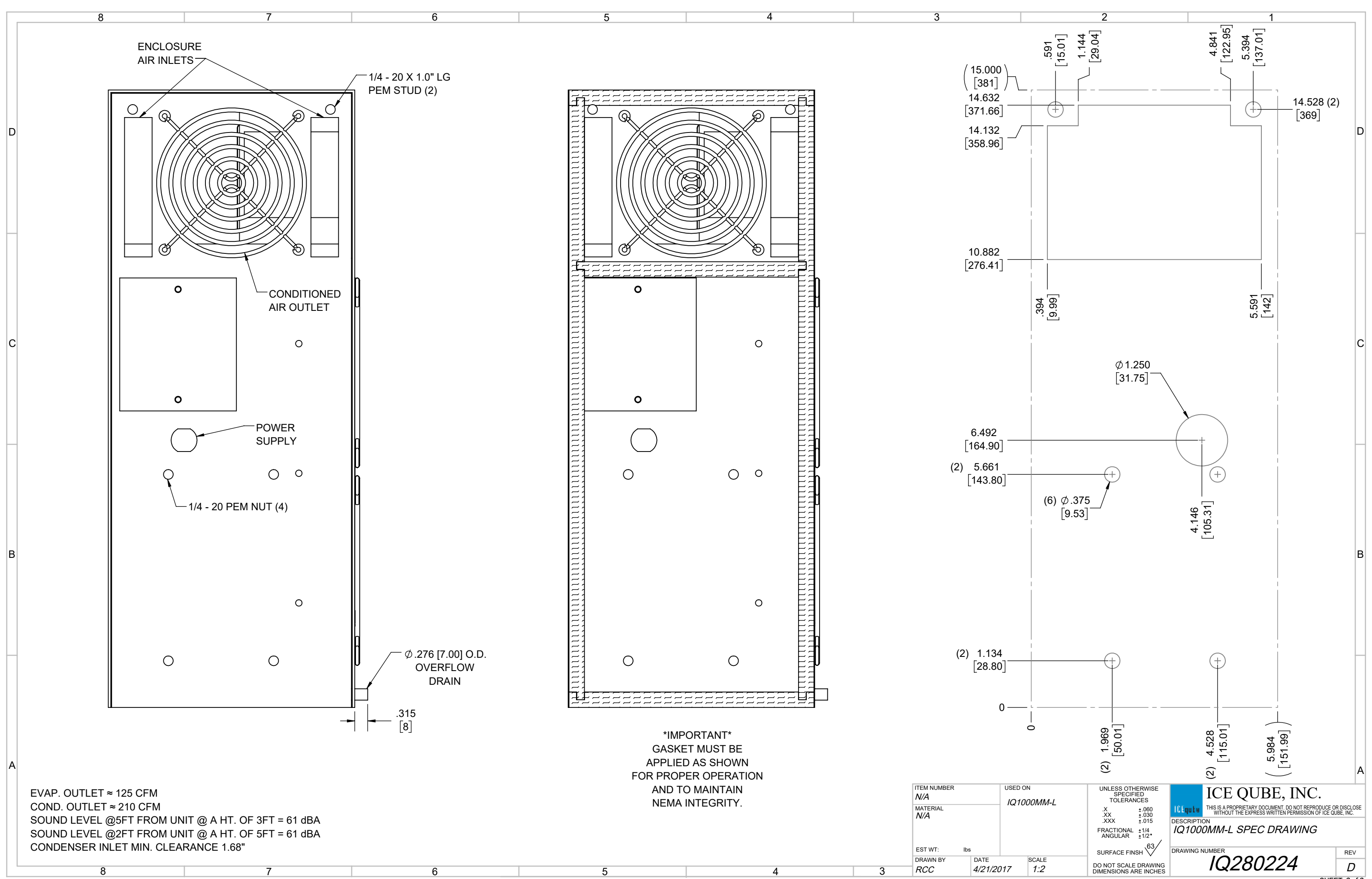
IQ1000MM-L
 COOLING CAPACITY: 1000 BTUH (293W) @131°F (55°C)
 MAXIMUM AMPS: 3.1 (372W) @120V/60HZ
 MAXIMUM AMPS: 1.5 (345W) @230V/60HZ
 MAXIMUM AMPS: 8.0 (384W) @48VDC
 MAXIMUM AMPS: 10.6 (254W) @24VDC
 MAXIMUM OPERATING TEMP: 131°F (55°C)
 MINIMUM OPERATING TEMP: -40°F (-40°C)
 DIMENSIONS: 15.00" (381MM) H X 5.98" (152MM) W X 6.31" (160MM) D
 WEIGHT 120 & 230V: 21 LBS (9.5KG)
 WEIGHT 24 & 48VDC: 13.8 LBS (6.3KG)

REV	REVISION	CHG	DATE	APP	DATE	CN #
D	ADDED DC VOLTAGE, UPDATED CUTOUT	RCC	3/6/2019			
C	ADDED CFM, dBA, AND CLEARANCE INFO	RCC	3/30/2018			1351
B	ADDED WATTAGE INFO	RCC	1/4/2018			
A	REDRAWN IN SW	RCC	4/21/2017			

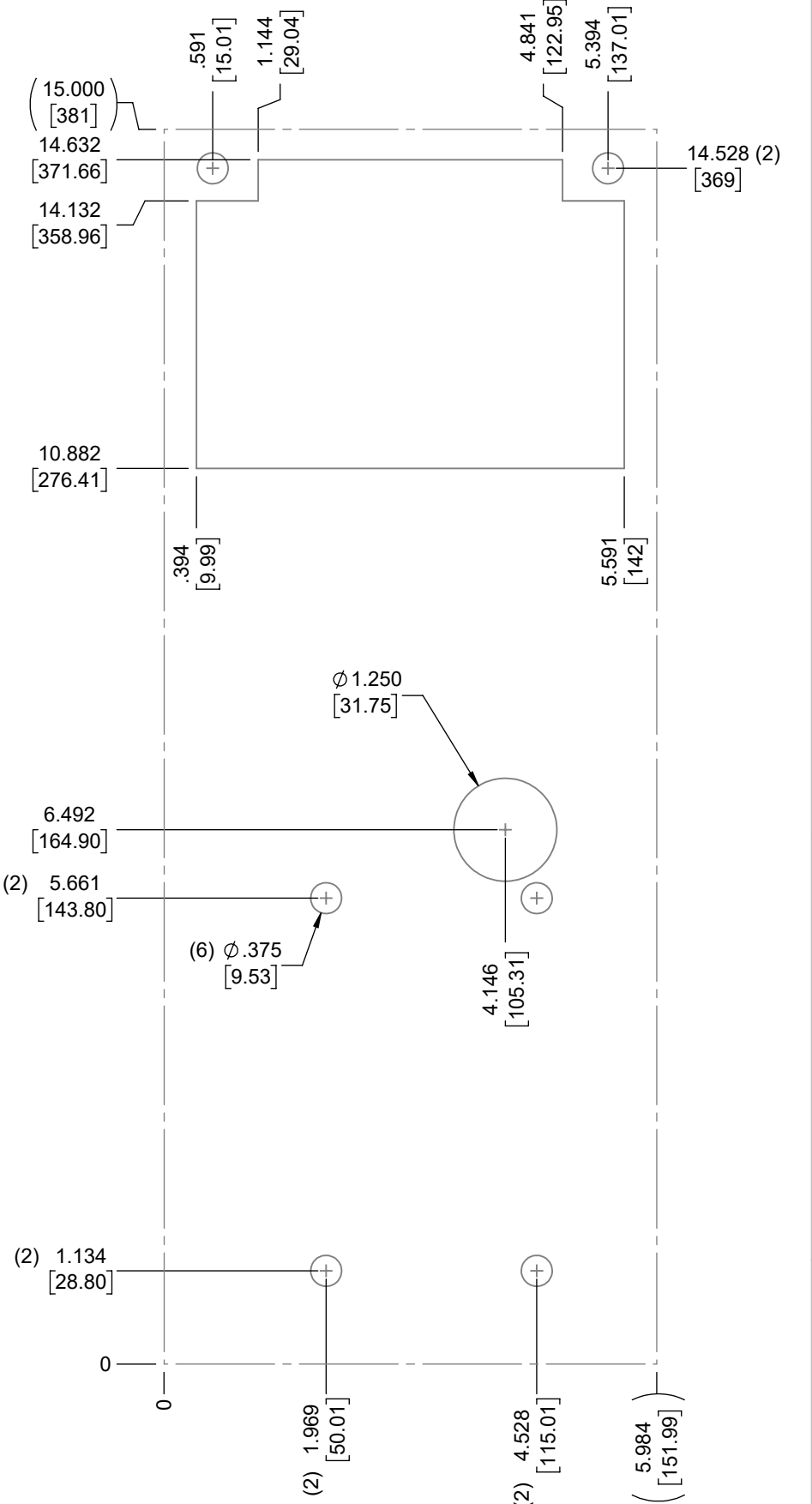
ITEM NUMBER	N/A	USED ON	IQ1000MM-L
MATERIAL	N/A		
EST WT:	lbs		
DRAWN BY	RCC	DATE	4/21/2017
		SCALE	1:4

UNLESS OTHERWISE SPECIFIED TOLERANCES	
.X	±.060
.XX	±.030
.XXX	±.015
FRACTIONAL	±1/16
ANGULAR	±1/2°
SURFACE FINISH	63
DO NOT SCALE DRAWING DIMENSIONS ARE INCHES	

ICE QUBE, INC.
THIS IS A PROPRIETARY DOCUMENT. DO NOT REPRODUCE OR DISCLOSE WITHOUT THE EXPRESS WRITTEN PERMISSION OF ICE QUBE, INC.
 DESCRIPTION
IQ1000MM-L SPEC DRAWING
 DRAWING NUMBER
IQ280224
 REV
D



EVAP. OUTLET ≈ 125 CFM
 COND. OUTLET ≈ 210 CFM
 SOUND LEVEL @5FT FROM UNIT @ A HT. OF 3FT = 61 dBA
 SOUND LEVEL @2FT FROM UNIT @ A HT. OF 5FT = 61 dBA
 CONDENSER INLET MIN. CLEARANCE 1.68"



ITEM NUMBER N/A	USED ON IQ1000MM-L	UNLESS OTHERWISE SPECIFIED TOLERANCES X ±.060 .XX ±.030 .XXX ±.015 FRACTIONAL ±1/4 ANGULAR ±1/2°	<p>THIS IS A PROPRIETARY DOCUMENT. DO NOT REPRODUCE OR DISCLOSE WITHOUT THE EXPRESS WRITTEN PERMISSION OF ICE QUBE, INC.</p>
MATERIAL N/A		<p>EST WT: lbs</p> <p>DRAWN BY: RCC</p> <p>DATE: 4/21/2017</p> <p>SCALE: 1:2</p> <p>DO NOT SCALE DRAWING DIMENSIONS ARE INCHES</p>	
DESCRIPTION IQ1000MM-L SPEC DRAWING			DRAWING NUMBER IQ280224
REV D			