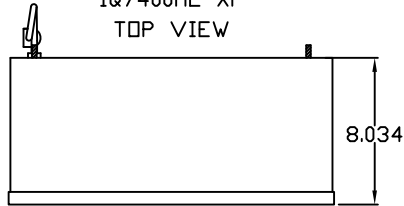


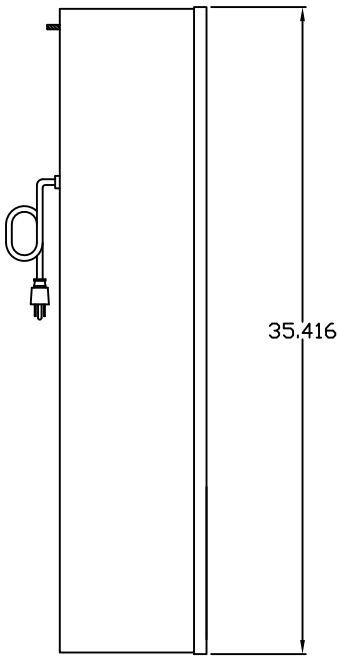
IQ7400HE-XF SPEC DRAWINGS REV 10

COOLING CAPACITY: 57 WATTS/°F
DIMENSIONS: 35.42"H X 17.82"W X 8.03"D
MAXIMUM AMPS: 3.7/3.0 @ 120/110VAC 60/50HZ
MAXIMUM AMPS: 1.8/1.4 @ 230/220VAC 60/50HZ
MAXIMUM AMPS: 4.9 @ 48VDC
OPERATING TEMP RANGE: -13 TO 140°F
WEIGHT FOR 110-230V: 74 LBS.

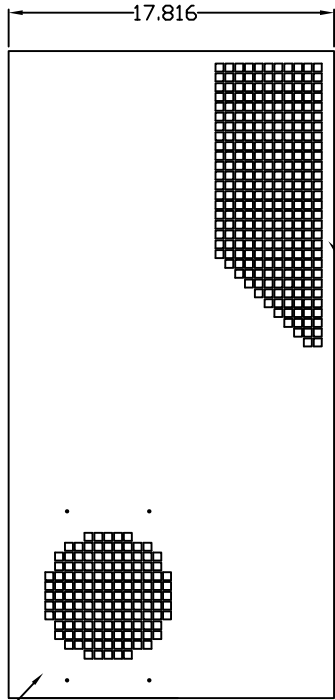
IQ7400HE-XF
TOP VIEW



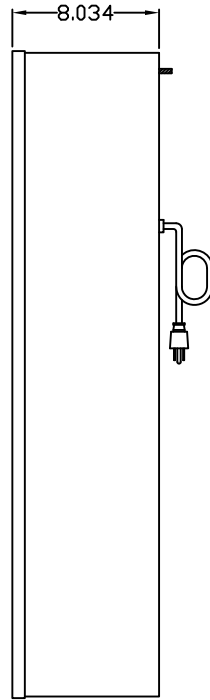
IQ7400HE-XF
LEFT SIDE



IQ7400HE-XF
FRONT VIEW



IQ7400HE-XF
RIGHT SIDE

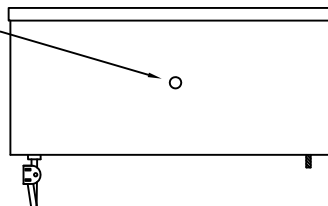


AMBIENT
AIR
EXHAUST

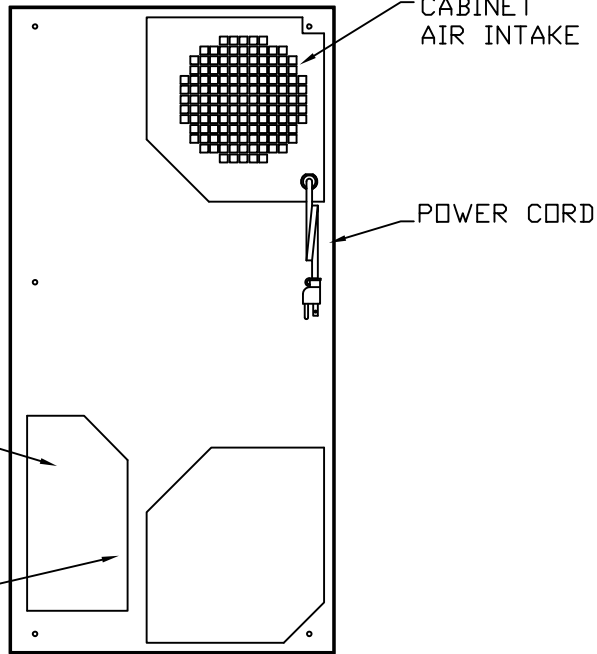
AMBIENT AIR INTAKE

IQ7400HE-XF
BOTTOM VIEW

DRAIN HOLE



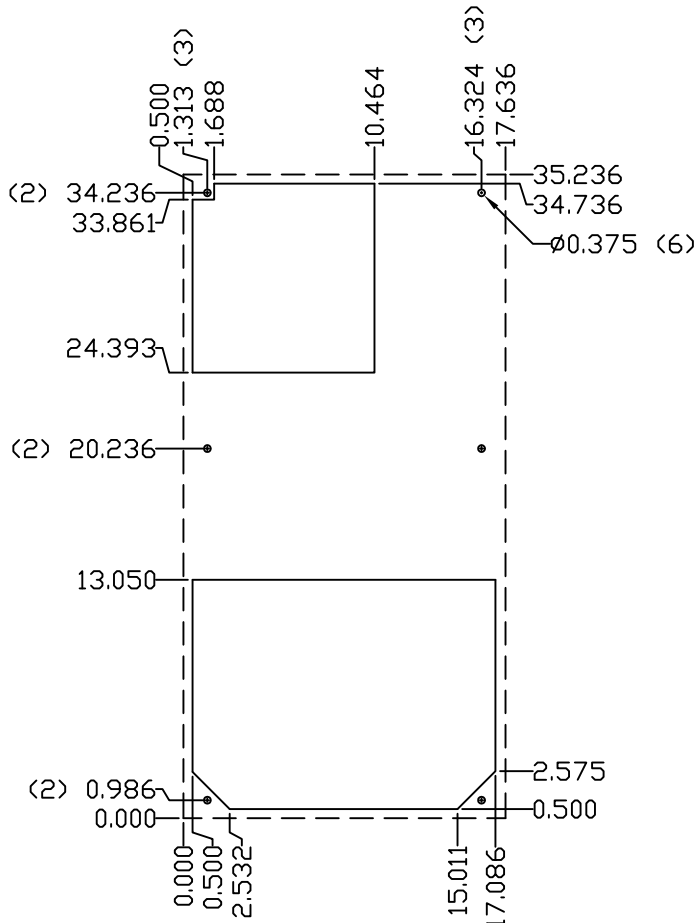
IQ7400HE-XF
REAR VIEW



CONDITIONED
AIR EXHAUST

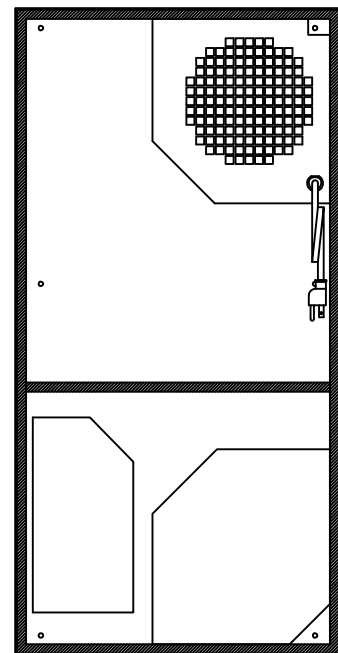
OPTIONAL FAN
SPEED CONTROL

IQ7400HE-XF
CUT OUT DRAWING



FOR REFERENCE ONLY
VARIES WITH OPTION
CONTACT ICE QUBE
FOR CORRECT CUT-OUT
DRAWING

IQ7400HE-XF
GASKET DRAWING



IMPORTANT
GASKET MUST BE
APPLIED AS SHOWN
AND TO MAINTAIN
NEMA INTEGRITY.

REV	DESCRIPTION	DATE	CHECKED
10	ADDED NOTE FOR REF. ONLY, REMOVED 480 V	8-20-19	TAS
9	ADDED 480 V	4-19-19	JMH
8	UPDATED DEPTH	1-3-19	JMH
7	ADDED MAXIMUM TEMP	10-3-18	JMH
6	CHANGED ANPS 3.0 WAS 4.1, 1.4 WAS 2.0	4-30-18	JMH
5	ADDED AMBIENT EXHAUST HOOD	3-1-18	JMH
4	REVISED OUTLINE AND REAR VIEW	7-19-17	JMH
3	MODIFIED NOMENCLATURE	6-14-17	JMH
2	DEPT CHANGE	3-11-17	JMH
1	AMP CHANGE	11-23-09	JMH
0	INITIAL RELEASE	3-17-08	JMH

PROPRIETARY DRAWING
ICE QUBE

DATE: 9-17-08
SHEET 2 OF 2

ICE QUBE
INDUSTRIAL, COMMERCIAL EQUIPMENT
400 WILSON AVENUE
750-800-2000 FAX: 750-800-0000
WWW.ICEQUBE.COM
IQ7400HE-XF
IQ280225 10