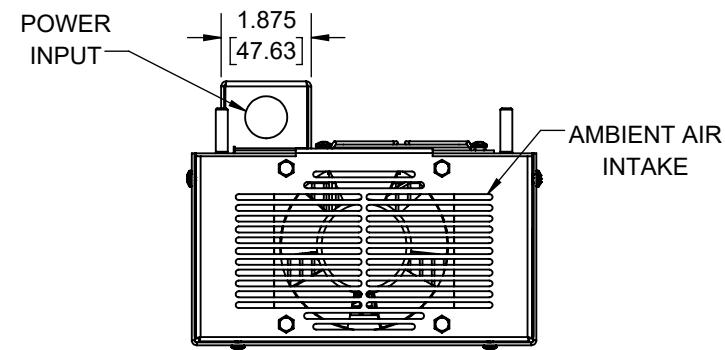
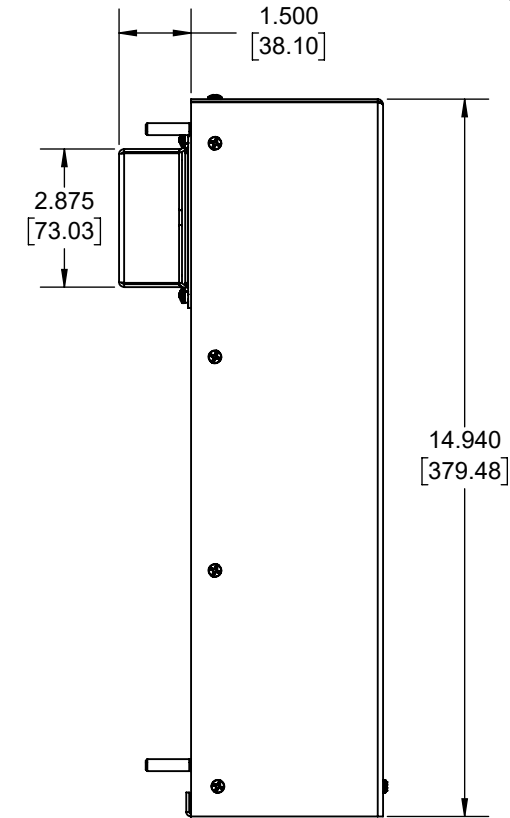
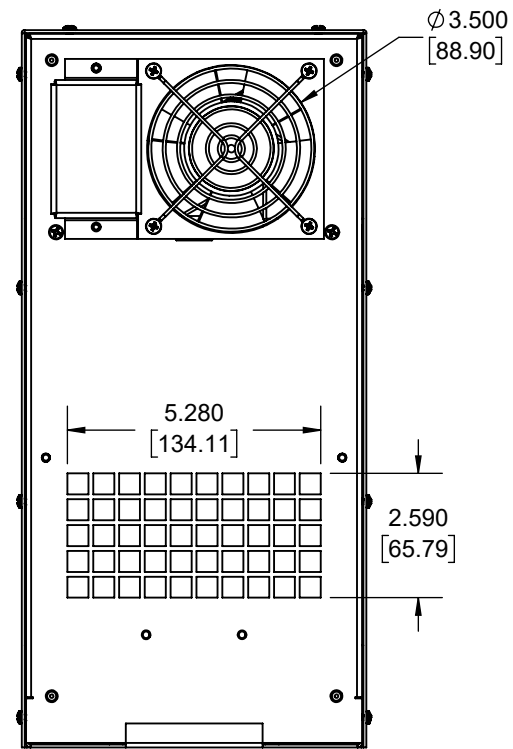
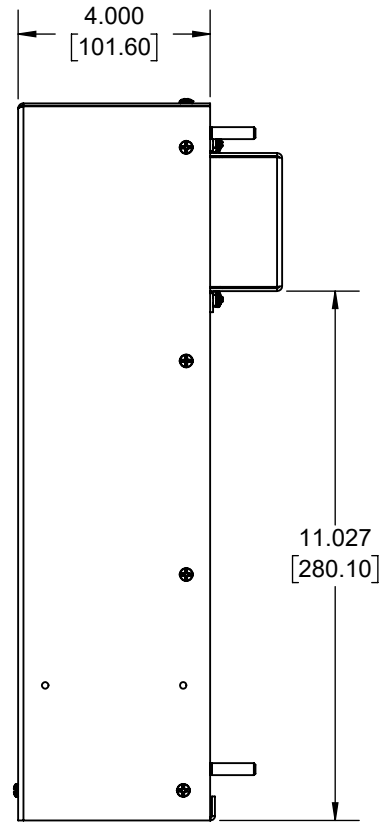
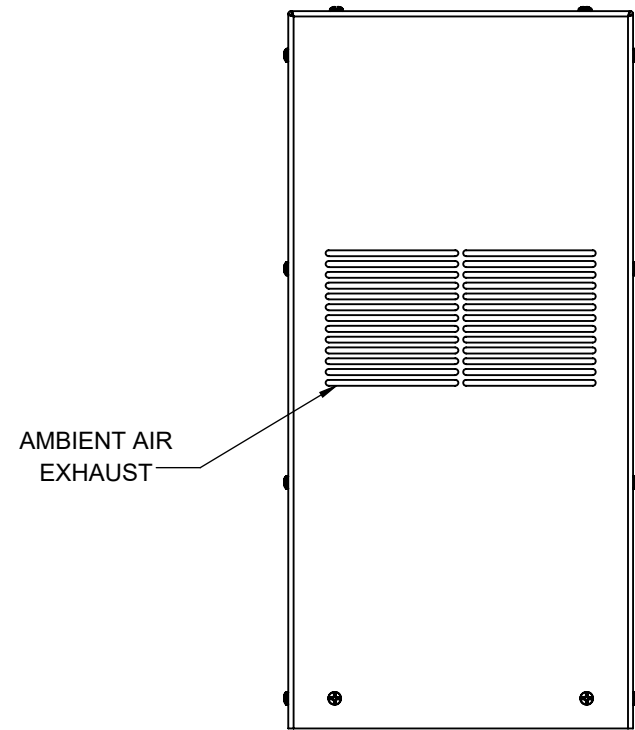
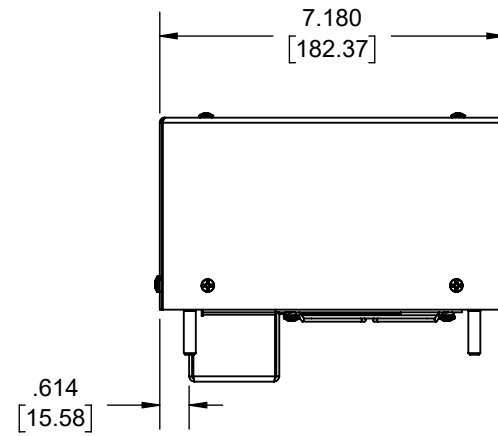
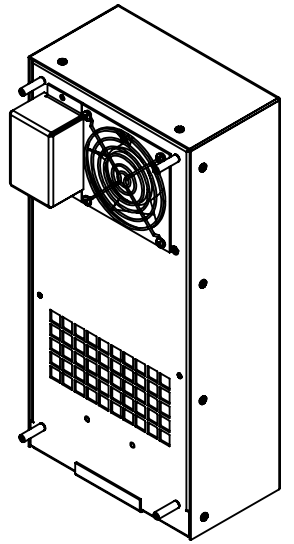
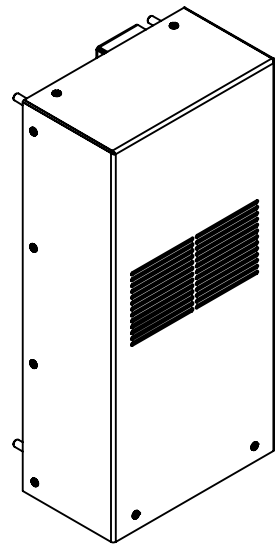


# IQ700HE-XP2

## CLASS I, DIVISION 2 CERTIFIED GROUPS A, B, C, AND D



IQ700HE-XP2  
 COOLING CAPACITY: 5.7 WATTS/°F @ 120/230VAC  
 COOLING CAPACITY: 6.5 WATTS/°F @ 24/48VDC  
 MAXIMUM AMPS: 0.24A (28.8W) @ 120VAC  
 MAXIMUM AMPS: 0.13A (29.9W) @ 230VAC  
 MAXIMUM AMPS: 2.94A (70.6W) @ 24VDC  
 MAXIMUM AMPS: 1.48A (71.0W) @ 48VDC  
 MAINTAINS IP66 BETWEEN EQUIPMENT AND ENCLOSURE  
 MAXIMUM OPERATING TEMP: 140°F (60°C)  
 DIMENSIONS: 14.940" (380MM) H X 7.180" (183MM) W X 4.00" (102MM) D  
 WEIGHT: 11.7 LBS (5.3KG)

REV	CHG	DATE	APP	DATE	CN #
A		1/10/2020			

ITEM NUMBER	N/A
MATERIAL	N/A
EST WT:	lbs
DRAWN BY	NAT

USED ON	IQ700HE-XP2
DATE	1/10/2020
SCALE	1:4

UNLESS OTHERWISE SPECIFIED TOLERANCES
.X ±.060
.XX ±.030
.XXX ±.015
FRACTIONAL ±1/16
ANGULAR ±1/2°
SURFACE FINISH 63
DO NOT SCALE DRAWING DIMENSIONS ARE INCHES

**ICE QUBE, INC.**

THIS IS A PROPRIETARY DOCUMENT. DO NOT REPRODUCE OR DISCLOSE WITHOUT THE EXPRESS WRITTEN PERMISSION OF ICE QUBE, INC.

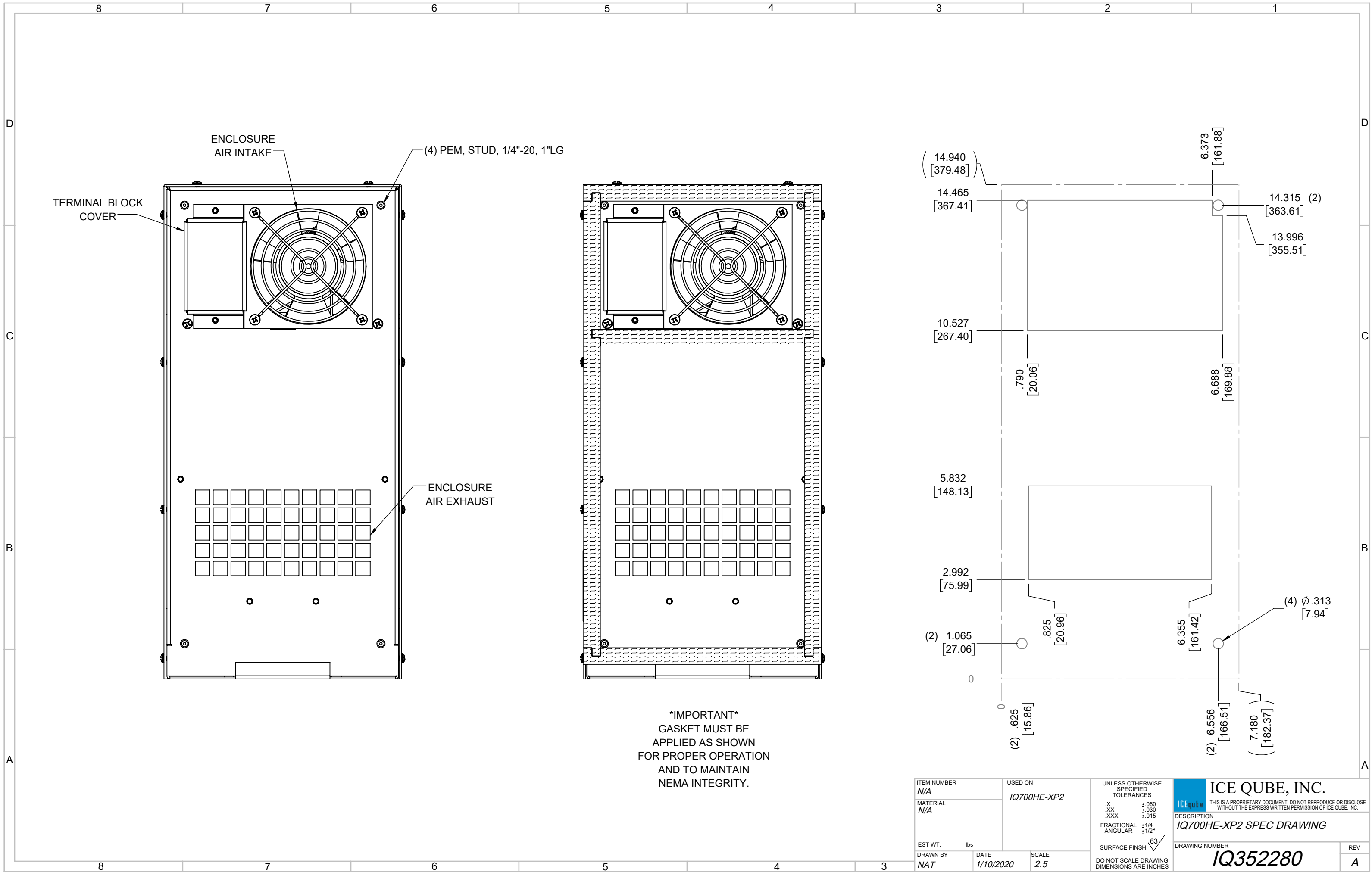
DESCRIPTION

**IQ700HE-XP2 SPEC DRAWING**

DRAWING NUMBER

**IQ352280**

REV	A
-----	---



ITEM NUMBER N/A	USED ON IQ700HE-XP2
MATERIAL N/A	
EST WT: DRAWN BY NAT	DATE 1/10/2020
SCALE 2:5	

UNLESS OTHERWISE SPECIFIED TOLERANCES
X ±.060
.XX ±.030
.XXX ±.015
FRACTIONAL ±1/4
ANGULAR ±1/2°
SURFACE FINISH 63
DO NOT SCALE DRAWING DIMENSIONS ARE INCHES

**ICE QUBE, INC.**  
THIS IS A PROPRIETARY DOCUMENT. DO NOT REPRODUCE OR DISCLOSE WITHOUT THE EXPRESS WRITTEN PERMISSION OF ICE QUBE, INC.

DESCRIPTION  
**IQ700HE-XP2 SPEC DRAWING**

DRAWING NUMBER  
**IQ352280**

REV  
**A**