

4

3

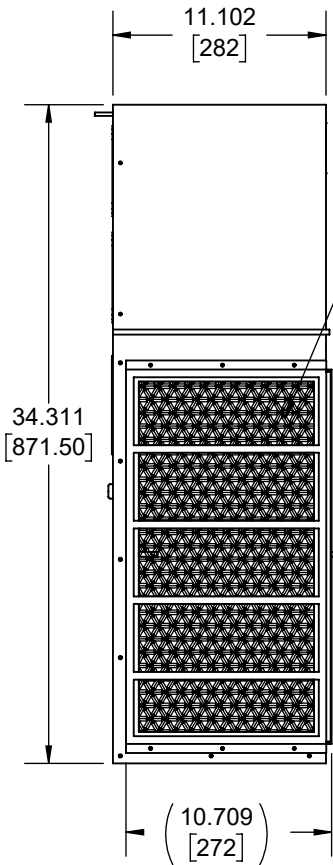
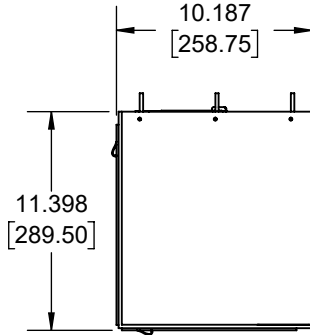
2

1

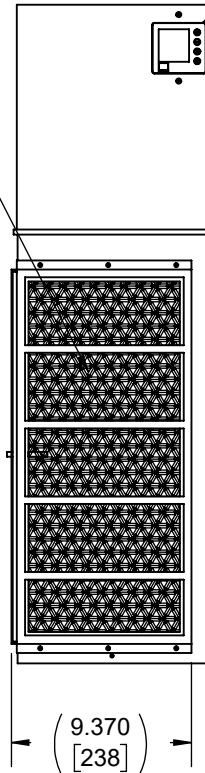
IQ9000MM SPEC DRAWING

IQ9000MM

COOLING CAPACITY: 9000BTUH (2639W) @131°F (55°C)
 MAXIMUM AMPS: 14.5 (1740W) @ 120V/60Hz
 MAXIMUM AMPS: 10.5 (2415W) @ 230V/60Hz
 MAXIMUM OPERATING TEMP: 131°F (55°C)
 MINIMUM OPERATING TEMP: -40°F (-40°C)
 DIMENSIONS: 34.311" (872MM) H x 10.187" (259MM) W x 11.398" (290MM) D
 WEIGHT: 99.20LBS (45KG)
 EVAP. OUTLET ≈ 350 CFM
 COND. OUTLET ≈ 500 CFM
 SOUND LEVEL @5FT FROM UNIT @ A HT. OF 3FT = 69 dBA
 SOUND LEVEL @2FT FROM UNIT @ A HT. OF 5FT = 70 dBA
 CONDENSER INLET MIN. CLEARANCE 3.10" FRONT, 3.40" SIDE

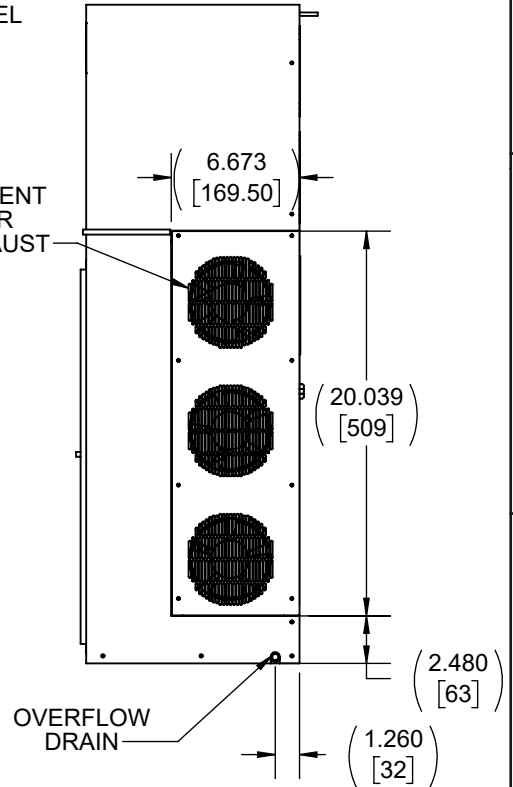


AMBIENT AIR INTAKE



CONTROL PANEL

AMBIENT AIR EXHAUST



OVERFLOW DRAIN

D	ADDED CFM, dBA, AND CLEARANCE INFO	RCC	4/4/18			1351
C	ADDED WATTAGE INFO	RCC	1/5/18			
B	PRODUCTION RELEASE	ART	1/14/15			
A	INITIAL DRAFT	ART	10/2/14			
REV	REVISION	CHG	DATE	APP	DATE	CN #

PART NUMBER	N/A	USED ON	IQ9000MM
MATERIAL	N/A		
EST WT:	lbs		
DRAWN BY	ART	DATE	10/2/14
		SCALE	1:10

UNLESS OTHERWISE SPECIFIED TOLERANCES	
.X	±.060
.XX	±.030
.XXX	±.015
FRACTIONAL	±1/4
ANGULAR	±1/2°
SURFACE FINISH	63
DO NOT SCALE DRAWING DIMENSIONS ARE INCHES	

ICE QUBE, INC.
 THIS IS A PROPRIETARY DOCUMENT. DO NOT REPRODUCE OR DISCLOSE WITHOUT THE EXPRESS WRITTEN PERMISSION OF ICE QUBE, INC.

DESCRIPTION
IQ9000MM SPEC DRAWING

DRAWING NUMBER
IQ350187

REV
D

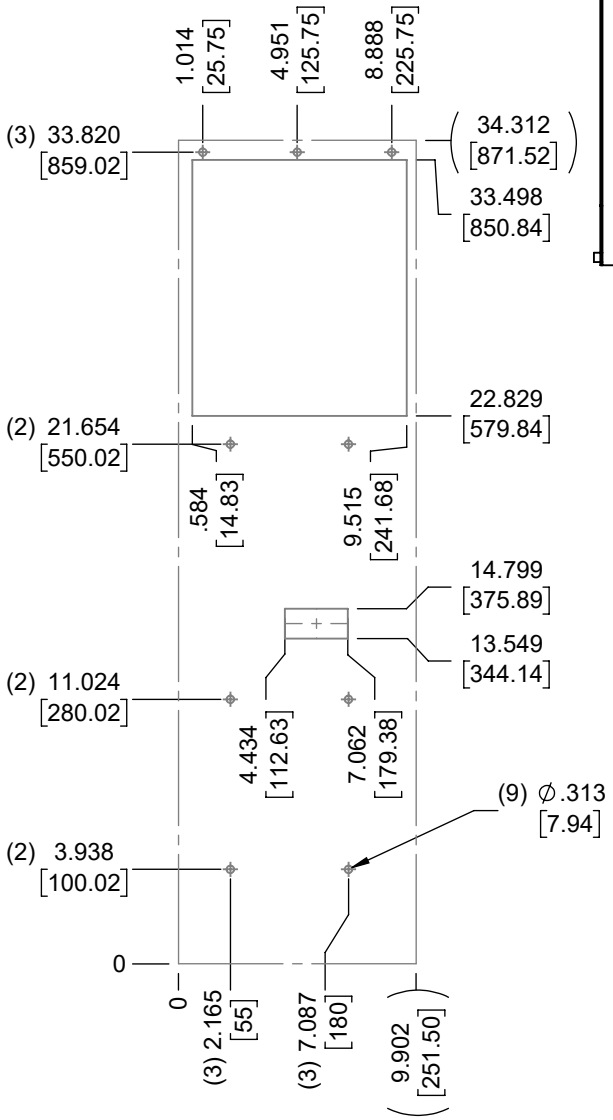
REAR VIEW

ENCLOSURE AIR INTAKE

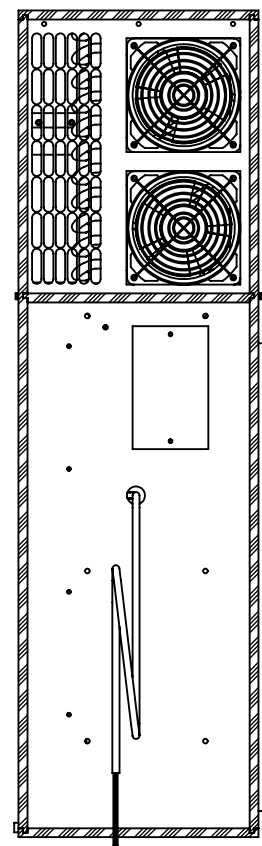
ENCLOSURE AIR EXHAUST

POWER CORD

CUTOUT DRAWING



GASKET DRAWING



IMPORTANT
GASKET MUST BE APPLIED
AS SHOWN FOR PROPER OPERATION
AND TO MAINTAIN NEMA INTEGRITY

PART NUMBER <i>N/A</i>		USED ON <i>IQ9000MM</i>	
MATERIAL <i>N/A</i>			
EST WT: DRAWN BY <i>ART</i>	lbs	DATE <i>10/2/14</i>	SCALE <i>1:8</i>

UNLESS OTHERWISE SPECIFIED TOLERANCES	
.X	±.060
.XX	±.030
.XXX	±.015
FRACTIONAL	±1/4
ANGULAR	±1/2°
SURFACE FINISH $\sqrt{63}$	
DO NOT SCALE DRAWING DIMENSIONS ARE INCHES	

	ICE QUBE, INC. <small>THIS IS A PROPRIETARY DOCUMENT. DO NOT REPRODUCE OR DISCLOSE WITHOUT THE EXPRESS WRITTEN PERMISSION OF ICE QUBE, INC.</small>	
	DESCRIPTION IQ9000MM SPEC DRAWING	
DRAWING NUMBER		REV
IQ350187		D