

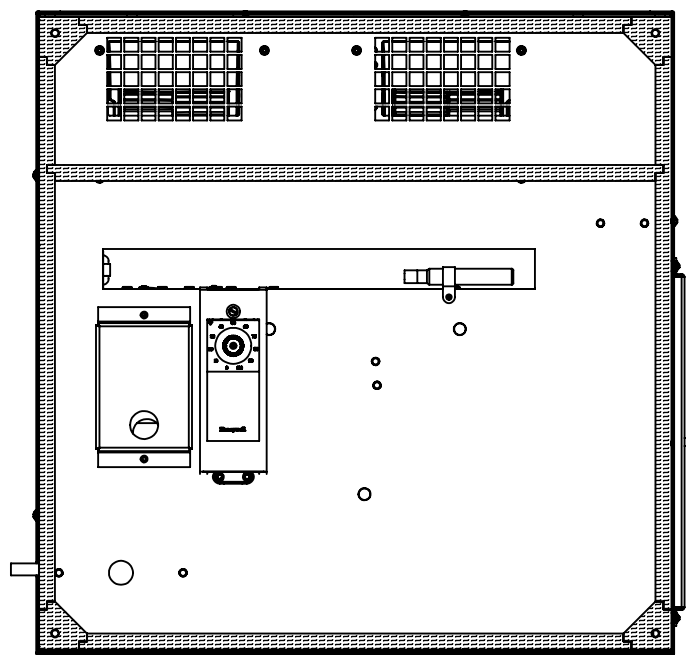
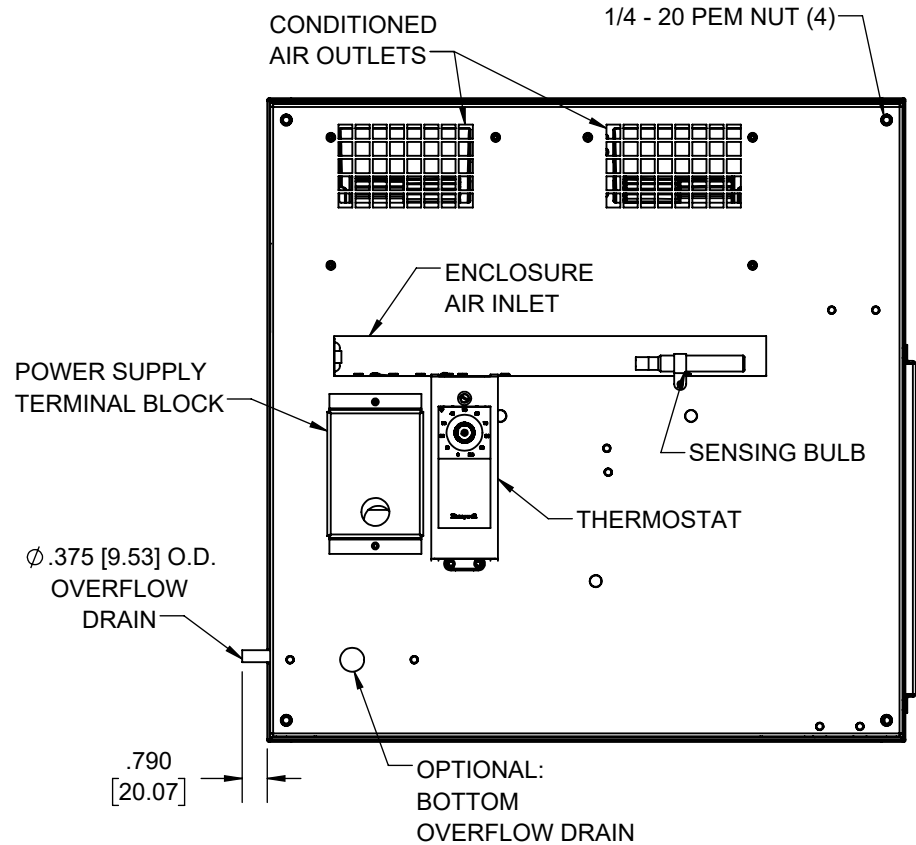
IQ6000T
 COOLING CAPACITY: 6000 BTUH (1760W) @131°F (55°C)
 MAXIMUM AMPS: 11.5 (1380W) @120V/60HZ
 MAXIMUM AMPS: 5.1/5.6 (1173/1232W) @230/220V 60/50HZ
 MAXIMUM OPERATING TEMP: 131°F (55°C)
 MINIMUM OPERATING TEMP: -4°F (-20°C)
 DIMENSIONS: 15.06" (383MM) H X 19.94" (507MM) W X 20.06" (510MM) D
 WEIGHT: 112 LBS (50.9KG)

REV	CHG	DATE	APP	DATE	CN #
C		3/23/2018			1351
B		12/29/2017			
A		4/18/2017			

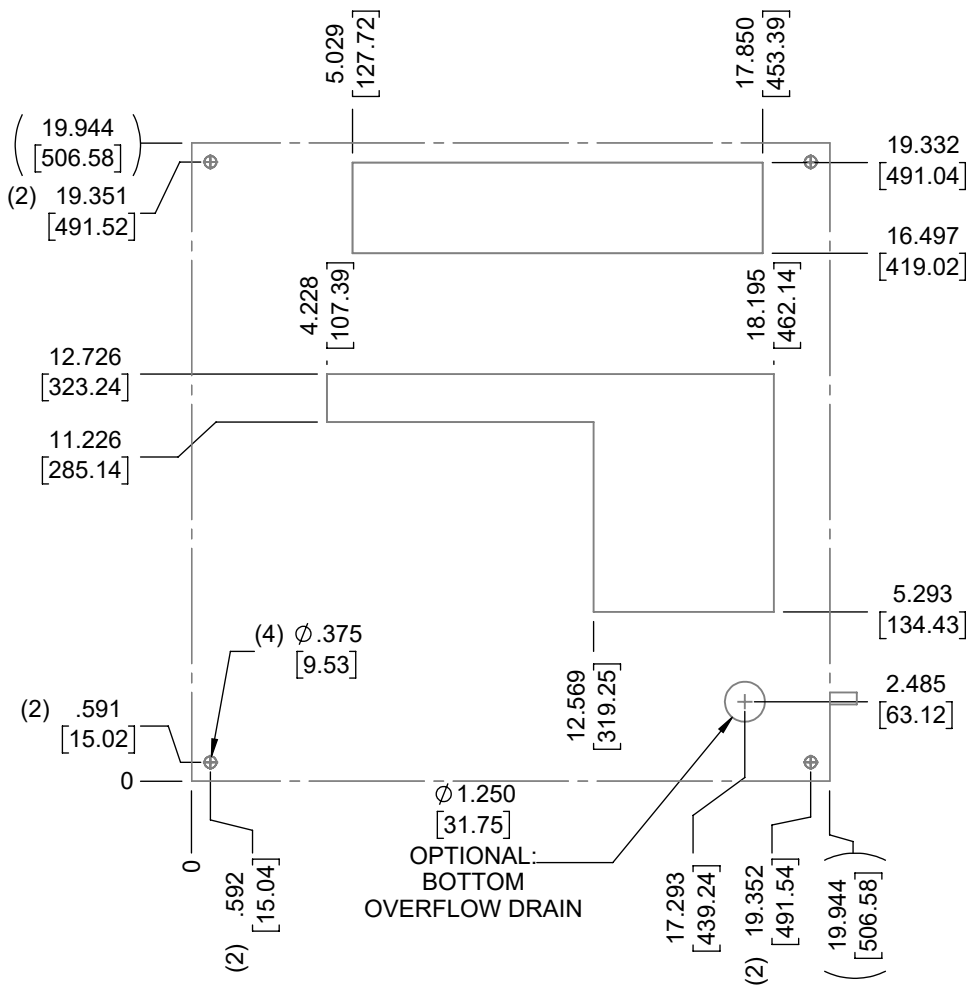
ITEM NUMBER	N/A	USED ON	IQ6000T
MATERIAL	N/A		
EST WT:	lbs		
DRAWN BY	RCC	DATE	4/18/2017
		SCALE	1:9

UNLESS OTHERWISE SPECIFIED TOLERANCES	
.X	±.060
.XX	±.030
.XXX	±.015
FRACTIONAL	±1/16
ANGULAR	±1/2°
SURFACE FINISH 63	
DO NOT SCALE DRAWING DIMENSIONS ARE INCHES	

ICE QUBE, INC.
THIS IS A PROPRIETARY DOCUMENT. DO NOT REPRODUCE OR DISCLOSE WITHOUT THE EXPRESS WRITTEN PERMISSION OF ICE QUBE, INC.
 DESCRIPTION
IQ6000T SPEC DRAWING XP2
 DRAWING NUMBER
IQ350279
 REV
C



IMPORTANT
 GASKET MUST BE APPLIED AS SHOWN FOR PROPER OPERATION AND TO MAINTAIN NEMA INTEGRITY.



EVAP. OUTLET ≈ 410 CFM
 COND. OUTLET ≈ 410 CFM
 SOUND LEVEL @5FT FROM UNIT @ A HT. OF 3FT = 62 dBA
 SOUND LEVEL @2FT FROM UNIT @ A HT. OF 5FT = 63 dBA
 CONDENSER INLET MIN. CLEARANCE 3.05"

ITEM NUMBER N/A	USED ON IQ6000T	UNLESS OTHERWISE SPECIFIED TOLERANCES X ±.060 .XX ±.030 .XXX ±.015 FRACTIONAL ±1/4 ANGULAR ±1/2°	<p>ICE QUBE, INC. <small>THIS IS A PROPRIETARY DOCUMENT. DO NOT REPRODUCE OR DISCLOSE WITHOUT THE EXPRESS WRITTEN PERMISSION OF ICE QUBE, INC.</small></p>	
MATERIAL N/A		SURFACE FINISH $\sqrt{63}$ DO NOT SCALE DRAWING DIMENSIONS ARE INCHES		
EST WT: lbs	DRAWN BY RCC	DATE 4/18/2017	SCALE 1:6	DESCRIPTION IQ6000T SPEC DRAWING XP2
				DRAWING NUMBER IQ350279
				REV C