

4

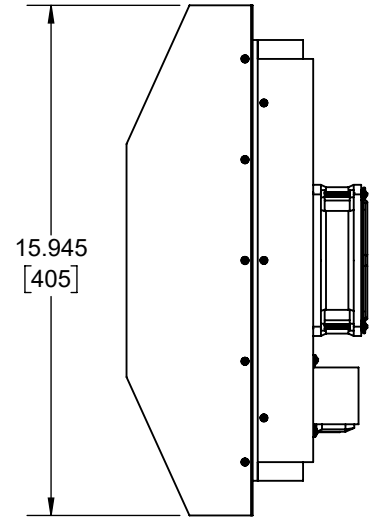
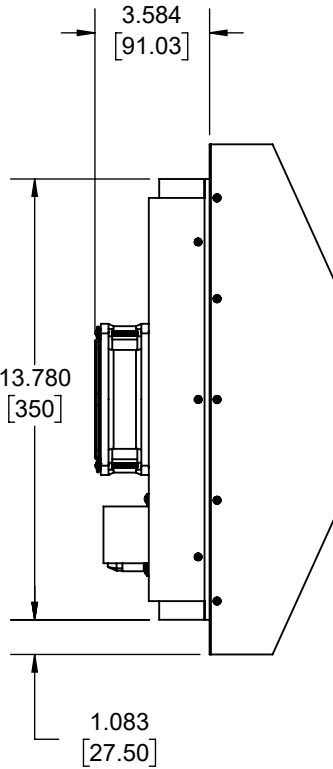
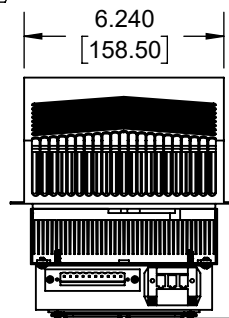
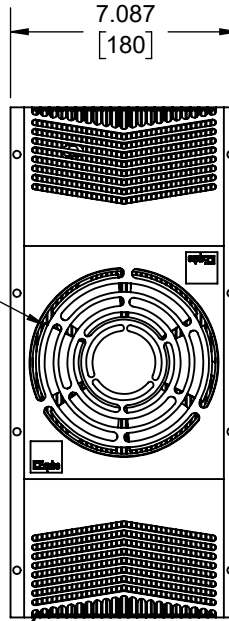
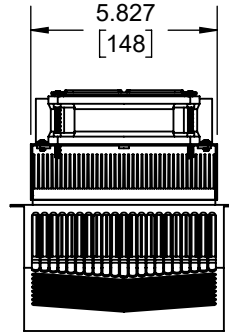
3

2

1

IQ300TEC SPEC DRAWING

IQ300TEC
 COOLING CAPACITY: 300W
 HEATING CAPACITY: 300W
 MAXIMUM AMPS: 21A @ 24VDC
 MAXIMUM AMPS: 11A @ 48VDC
 MAXIMUM OPERATING TEMP.: 131°F / 55°C
 DIMENSIONS: 15.945" [405]H X 7.087" [180]W X 7.521" [191]D
 WEIGHT: 20LBS [9.1KG]



AMBIENT FAN

AMBIENT HEAT SINK

7.521 [191.03]

PART NUMBER
N/A
 MATERIAL
N/A

USED ON
IQ300TEC

UNLESS OTHERWISE SPECIFIED TOLERANCES
 .X ±.060
 .XX ±.030
 .XXX ±.015
 FRACTIONAL ±1/4
 ANGULAR ±1/2°

ICE QUBE, INC.
 THIS IS A PROPRIETARY DOCUMENT. DO NOT REPRODUCE OR DISCLOSE WITHOUT THE EXPRESS WRITTEN PERMISSION OF ICE QUBE, INC.

C	UPDATED TERMINAL BOX AND FAN	RCC	2/13/2019			
B	WEIGHT AND VIEWS UPDATED	ART	1/29/2016			1246
A	INITIAL RELEASE	ART	12/11/2015			1240
REV	REVISION	CHG	DATE	APP	DATE	CN #

EST WT: lbs
 DRAWN BY: *ART*
 DATE: *12/11/2015*
 SCALE: *1:6*

SURFACE FINISH \checkmark 63
 DO NOT SCALE DRAWING
 DIMENSIONS ARE INCHES

DESCRIPTION
SPEC DRAWING, IQ300TEC
 DRAWING NUMBER
IQ350870
 REV
C

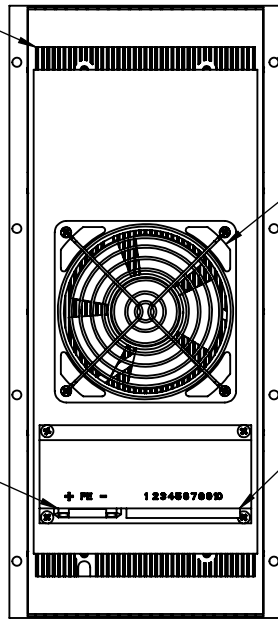
ENCLOSURE
HEAT SINK

(8) \varnothing .236 HOLES
[6]

ENCLOSURE FAN

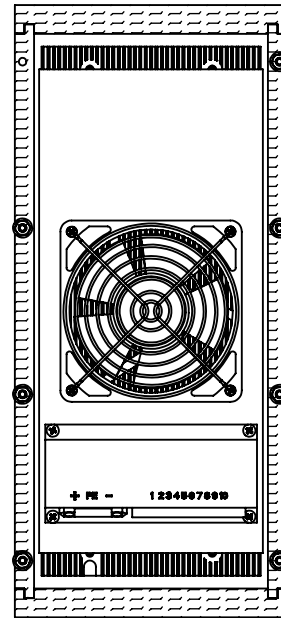
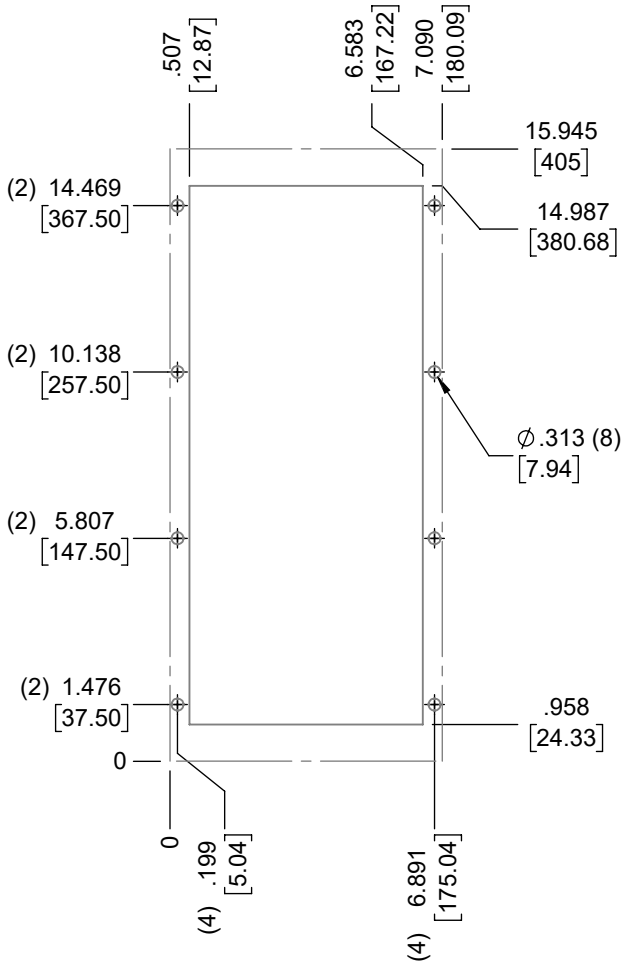
DC POWER
INTERFACE

CONTROLLER
INTERFACE
(OPTIONAL)



CUTOUT TEMPLATE

GASKET VIEW



IMPORTANT
GASKET MUST BE APPLIED AS SHOWN
FOR PROPER OPERATION AND TO
MAINTAIN ENCLOSURE INTEGRITY

PART NUMBER N/A	USED ON IQ300TEC
MATERIAL N/A	
EST WT: DRAWN BY ART	DATE 12/11/2015
SCALE 1:5	

UNLESS OTHERWISE SPECIFIED TOLERANCES	
.X	\pm .060
.XX	\pm .030
.XXX	\pm .015
FRACTIONAL	\pm 1/4
ANGULAR	\pm 1/2°
SURFACE FINISH $\sqrt{63}$	
DO NOT SCALE DRAWING DIMENSIONS ARE INCHES	

ICE QUBE, INC.
ICEqube THIS IS A PROPRIETARY DOCUMENT. DO NOT REPRODUCE OR DISCLOSE WITHOUT THE EXPRESS WRITTEN PERMISSION OF ICE QUBE, INC.

DESCRIPTION
SPEC DRAWING, IQ300TEC

DRAWING NUMBER
IQ350870

REV
C

4

3

2

1

OPTIONAL: REMOTE CONTROLLER

E

E

D

D

C

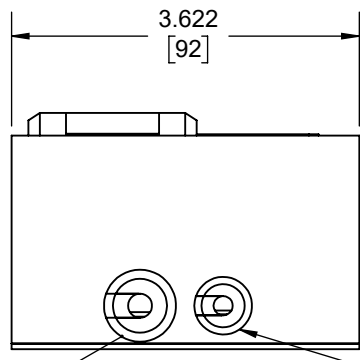
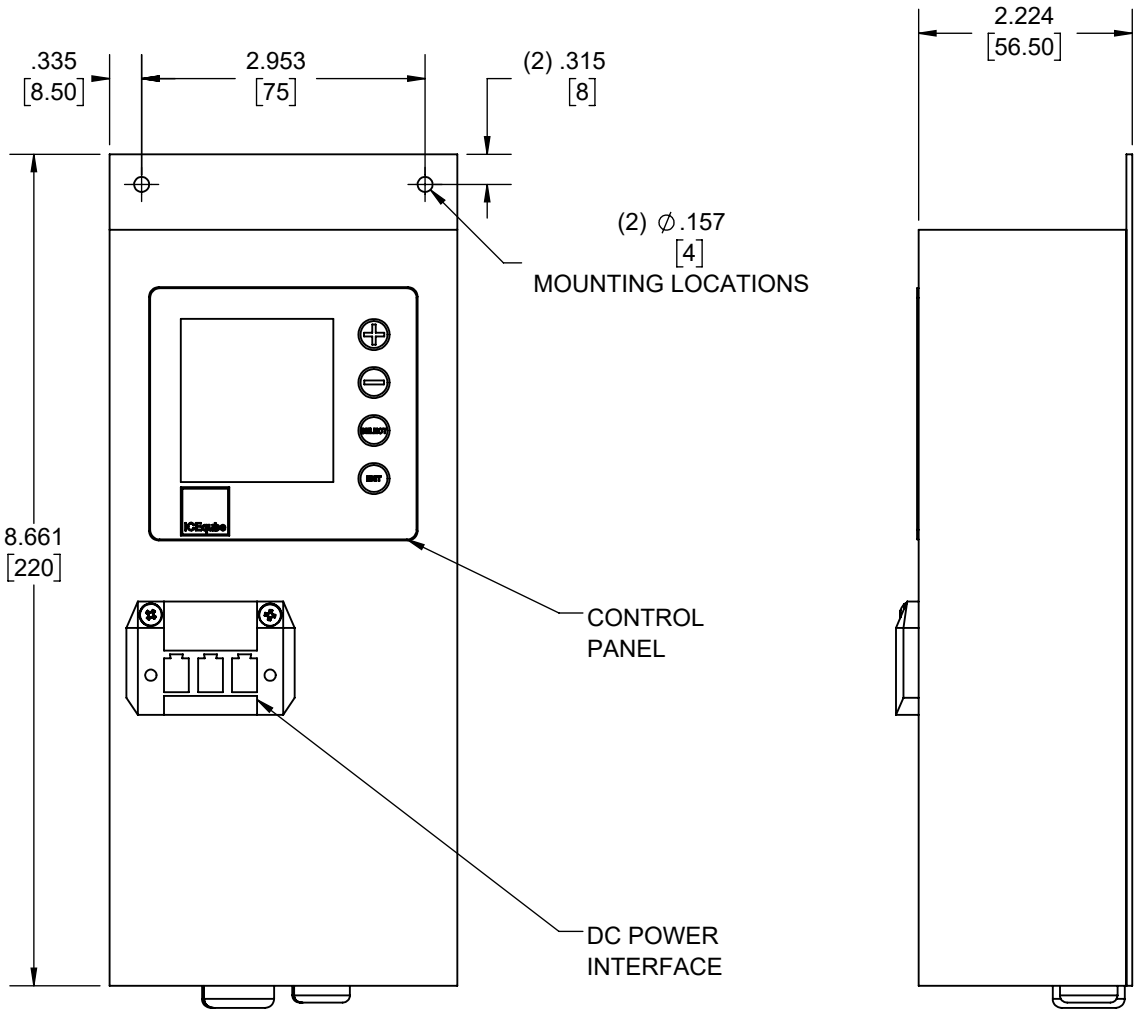
C

B

B

A

A



DC POWER CABLE

CONTROLLER CABLE


CONTROL PANEL

DC POWER INTERFACE

(2) Ø.157 [4] MOUNTING LOCATIONS

PART NUMBER <i>N/A</i>		USED ON <i>IQ300TEC</i>	
MATERIAL <i>N/A</i>			
EST WT: DRAWN BY <i>ART</i>	lbs	DATE <i>12/11/2015</i>	SCALE <i>1:2</i>

UNLESS OTHERWISE SPECIFIED TOLERANCES	
.X	±.060
.XX	±.030
.XXX	±.015
FRACTIONAL	±1/4
ANGULAR	±1/2°
SURFACE FINISH $\sqrt{63}$	
DO NOT SCALE DRAWING DIMENSIONS ARE INCHES	

 ICE QUBE, INC. <small>THIS IS A PROPRIETARY DOCUMENT. DO NOT REPRODUCE OR DISCLOSE WITHOUT THE EXPRESS WRITTEN PERMISSION OF ICE QUBE, INC.</small>	
DESCRIPTION SPEC DRAWING, IQ300TEC	
DRAWING NUMBER IQ350870	REV C