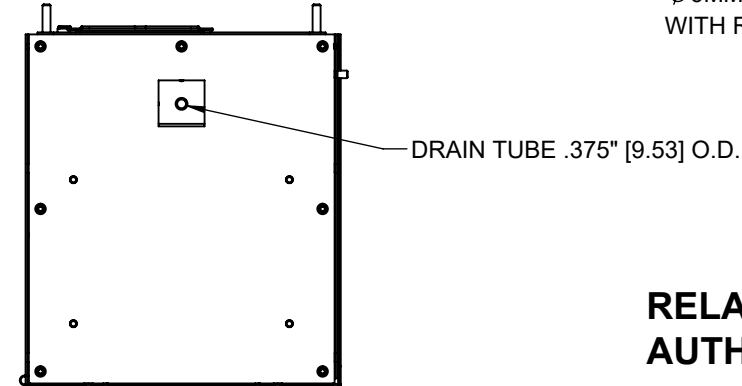
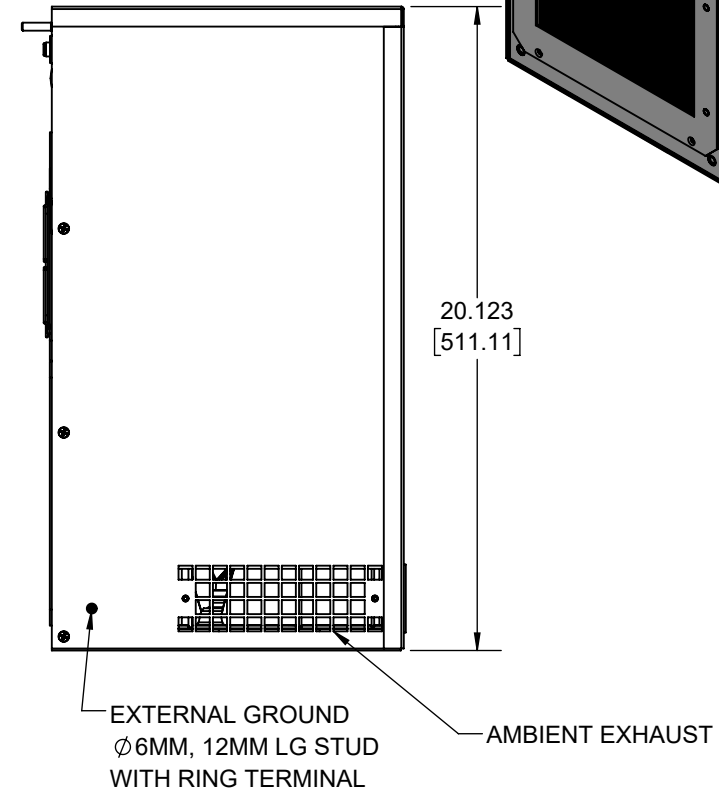
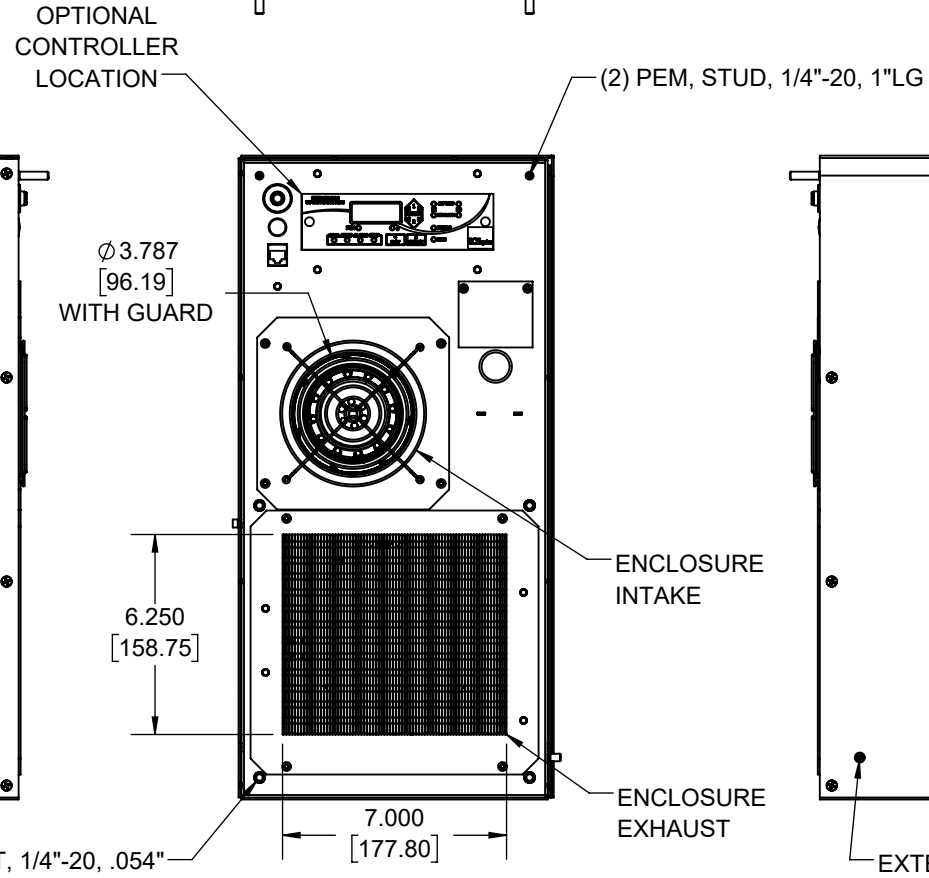
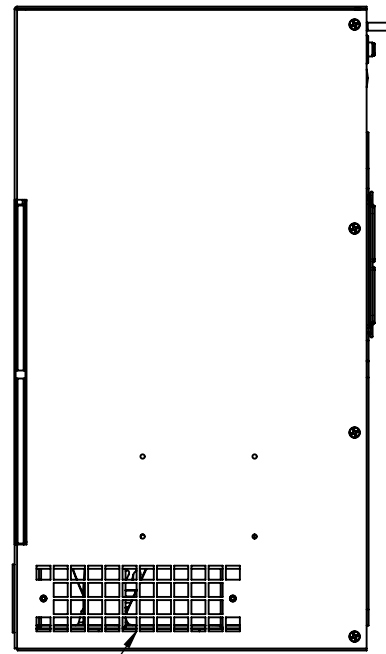
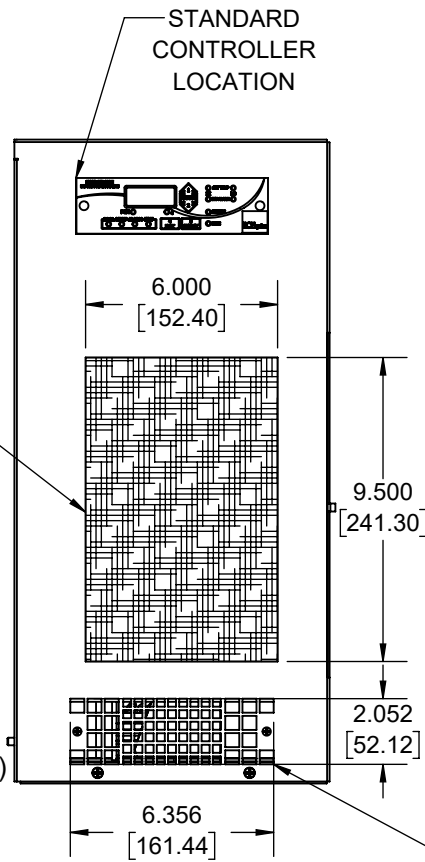
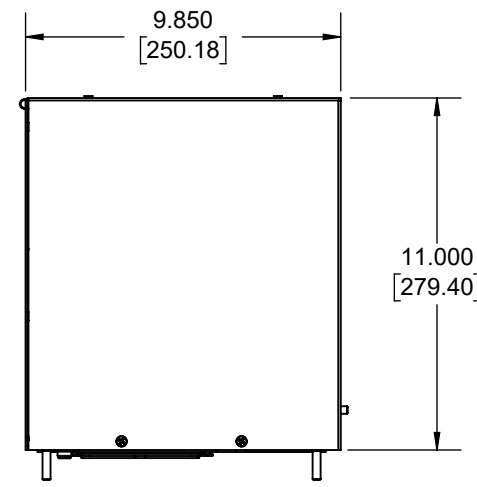
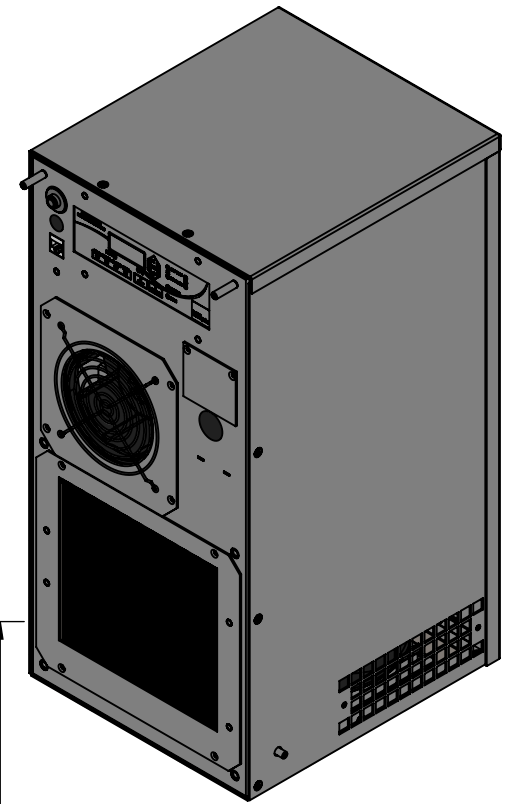
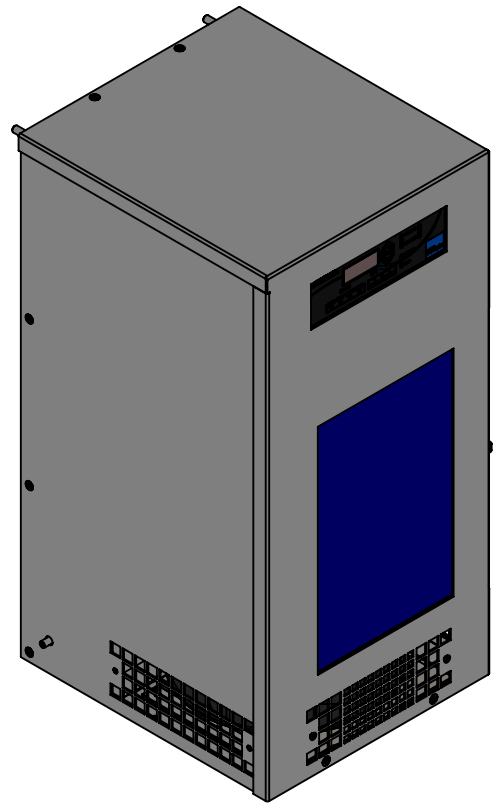


# IQ2000EVZ2 CLASS I ZONE 2 AEx / Ex ZONE 2 ATEX / IECEx CERTIFIED



**IQ2000EVZ2**  
 AEx ec IIC T<sub>1</sub> Gc  
 Ex ec IIC T<sub>1</sub> Gc  
 II 3G Ex ec IIC T<sub>1</sub> Gc  
**NOMINAL COOLING CAPACITY:**  
 2385 BTUH (699W) @ 140-140°F (60°C-60°C)  
 2400 BTUH (704W) @ 95-95°F (35°C-35°C)  
**MAXIMUM AMPS:** 5.40 (648W) @ 120V/60Hz  
 2.84 (625W) @ 220V/50Hz  
 2.71 (623W) @ 230V/60Hz  
 1.99 (478W) @ 240V/50Hz  
 1.93 (463W) @ 240V/60Hz  
 1.43 (572W) @ 400V/50Hz  
 0.99 (396W) @ 400V/60Hz  
 1.14 (500W) @ 440V/50Hz  
 0.89 (390W) @ 440V/60Hz  
 0.75 (360W) @ 480V/50Hz  
 0.77 (370W) @ 480V/60Hz  
**MAINTAINS IP66 BETWEEN EQUIPMENT AND ENCLOSURE**  
**OPERATING TEMPERATURE: -40° - +60°C**  
**T CODE: W/O CRANKCASE HEATER- T6**  
**T CODE: W/ CRANKCASE HEATER- T5**  
**DIMENSIONS: 20.123" (511MM) H x 9.850" (250MM) W x 11.000" (279MM) D**  
**WEIGHT: 57.5 LBS (26.1KG) @ 120/220/230/240V**  
**WEIGHT: 72.5 LBS (32.9KG) @ 400/440/480V**  
**REFRIGERANT CHARGE: R134-A 100Z (284G)**

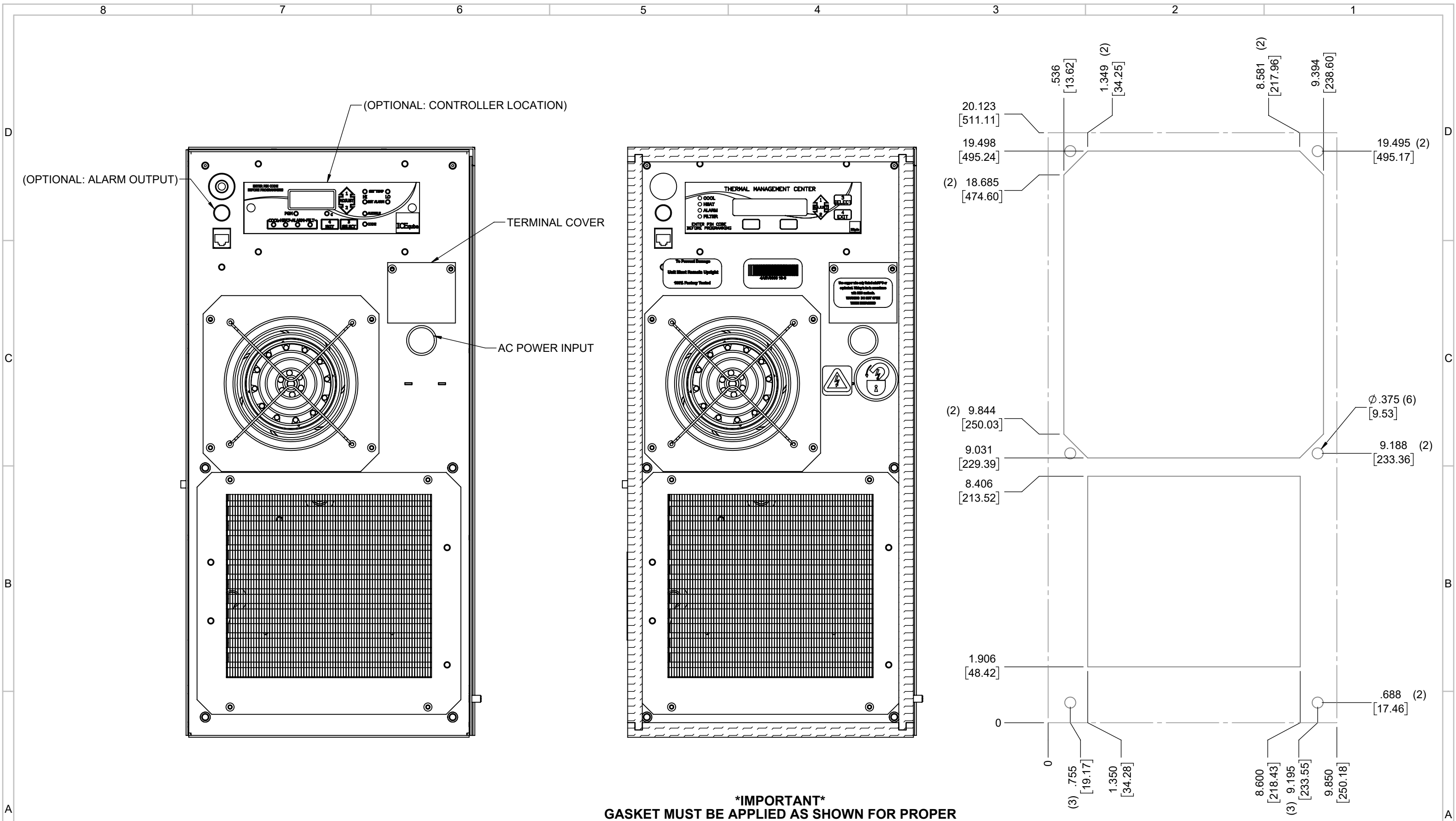
**RELATED DRAWING; DO NOT CHANGE WITHOUT AUTHORIZED PERSON APPROVAL.**

REV	REVISION	CHG	DATE	APP	DATE	CN #
D	ADDED AEx AND Ex CERTIFICATION INFORMATION	NAT	4/22/2021			21-0186
C	UPDATED CUTOUT DIMENSIONS	NAT	4/20/2020			
B	ADDED CFM, dBA, 240V AND 440V 50/60HZ, AND CLEARANCE INFO	RCC	4/26/2018	JGG	4/26/2018	1347
A	PRODUCTION RELEASE	ART	11/6/2017	JGG	11/6/2017	1331

ITEM NUMBER N/A	USED ON IQ2000EVZ2
MATERIAL N/A	
EST WT: lbs	
DRAWN BY ART	DATE 11/6/2017
	SCALE 1:6

UNLESS OTHERWISE SPECIFIED TOLERANCES
X ±.060
.XX ±.030
.XXX ±.015
FRACTIONAL ±1/16
ANGULAR ±1/2°
SURFACE FINISH 63
DO NOT SCALE DRAWING DIMENSIONS ARE INCHES

**ICE QUBE, INC.**  
THIS IS A PROPRIETARY DOCUMENT. DO NOT REPRODUCE OR DISCLOSE WITHOUT THE EXPRESS WRITTEN PERMISSION OF ICE QUBE, INC.  
**DESCRIPTION**  
**IQ2000EVZ2 ZONE 2 ATEX IECEx SPEC DRAWING**  
**DRAWING NUMBER**  
IQ351469



**\*IMPORTANT\***  
**GASKET MUST BE APPLIED AS SHOWN FOR PROPER OPERATION AND TO MAINTAIN ENCLOSURE INTEGRITY**

EVAP. OUTLET ≈ 175 CFM  
 COND. OUTLET ≈ 350 CFM  
 SOUND LEVEL @5FT FROM UNIT @ A HT. OF 3FT = 64 dBA  
 SOUND LEVEL @2FT FROM UNIT @ A HT. OF 5FT = 68 dBA  
 CONDENSER INLET MIN. CLEARANCE 1.84"

ITEM NUMBER N/A	USED ON IQ2000EVZ2	UNLESS OTHERWISE SPECIFIED TOLERANCES X ±.060 .XX ±.030 .XXX ±.015	ICE QUBE, INC. THIS IS A PROPRIETARY DOCUMENT. DO NOT REPRODUCE OR DISCLOSE WITHOUT THE EXPRESS WRITTEN PERMISSION OF ICE QUBE, INC.
MATERIAL N/A		FRACTIONAL ±1/4 ANGULAR ±1/2°	
EST WT: lbs	DATE 11/6/2017	SCALE 1:3	DESCRIPTION IQ2000EVZ2 ZONE 2 ATEX IECEx SPEC DRAWING
DRAWN BY ART			DRAWING NUMBER IQ351469
		DO NOT SCALE DRAWING DIMENSIONS ARE INCHES	REV D