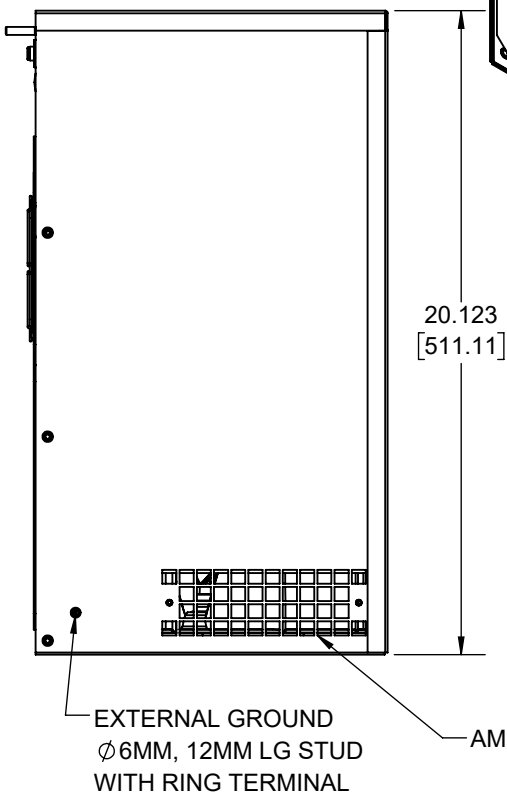
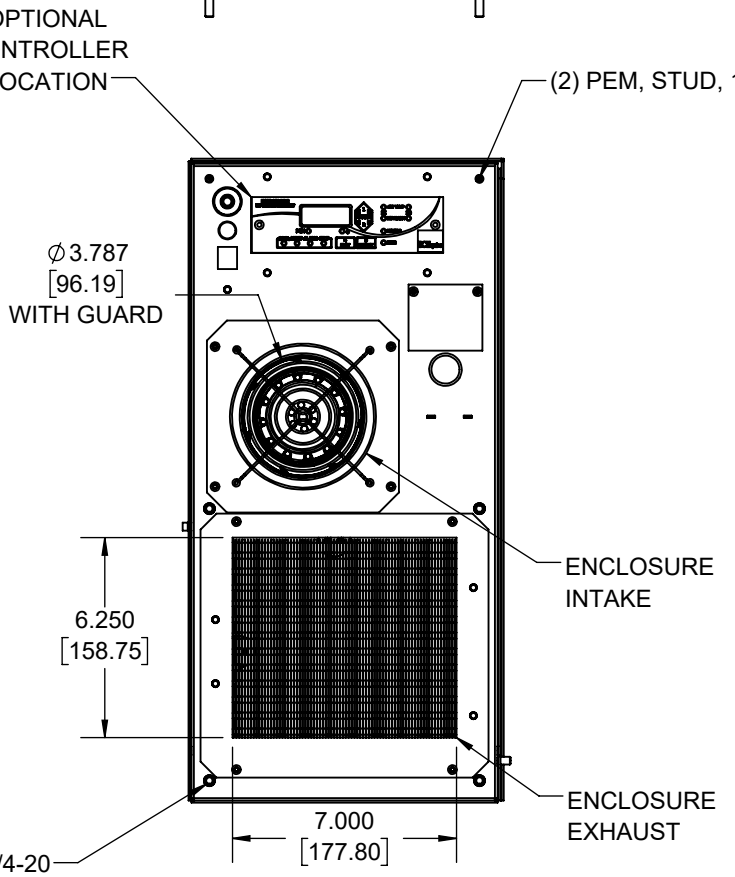
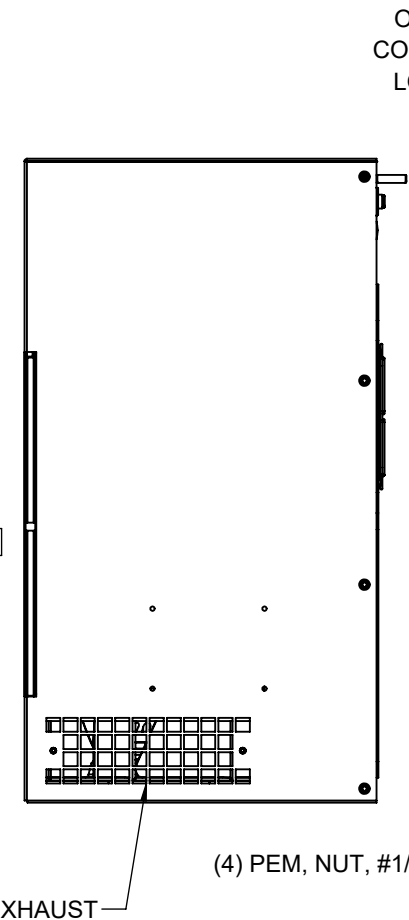
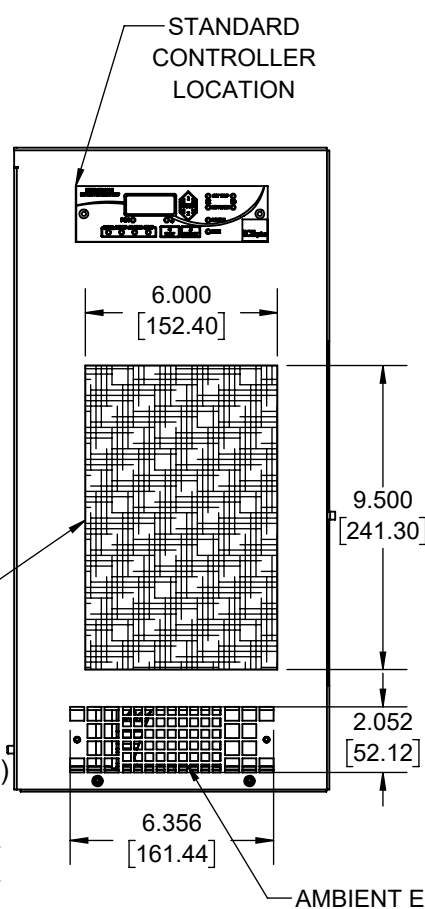
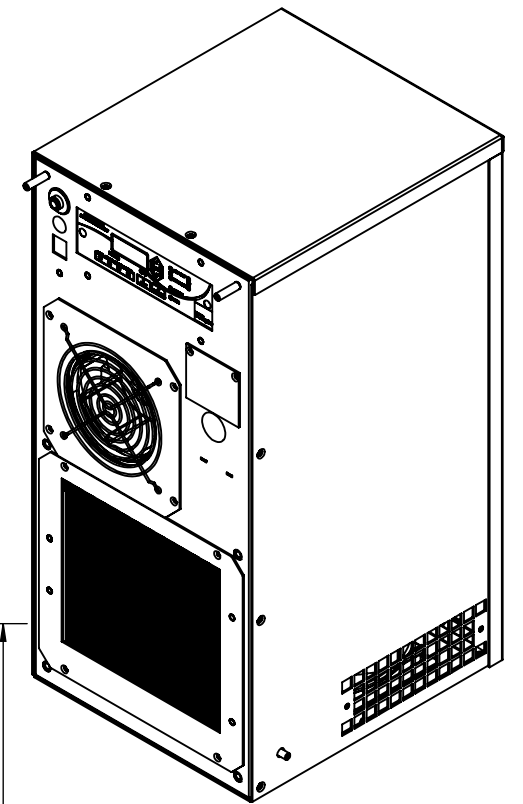
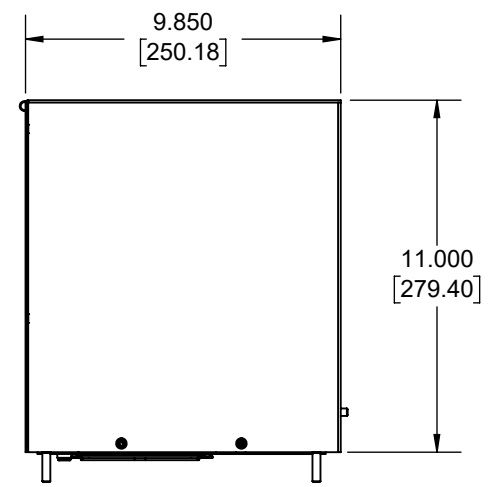
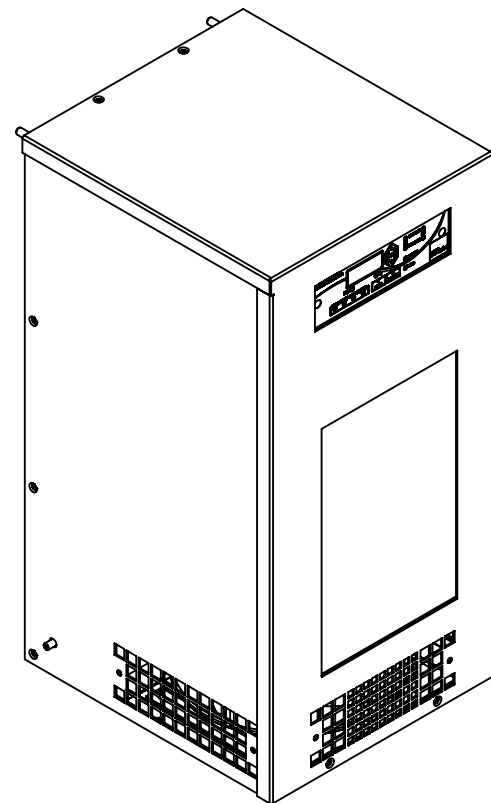


# IQ2000EVZ2 ZONE 2 ATEX IECEx CERTIFIED



**IQ2000EVZ2**  
 CE 0539 II 3 G Ex nA nC IIC Txx Gc  
 NOMINAL COOLING CAPACITY:  
 2385 BTUH (699W) @ 140-140°F (60°C-60°C)  
 2400 BTUH (704W) @ 95-95°F (35°C-35°C)  
 MAXIMUM AMPS: 5.40 (648W) @ 120V/60Hz  
 MAXIMUM AMPS: 2.84 (625W) @ 220V/50Hz  
 MAXIMUM AMPS: 2.71 (623W) @ 230V/60Hz  
 MAXIMUM AMPS: 1.99 (478W) @ 240V/50Hz  
 MAXIMUM AMPS: 1.93 (463W) @ 240V/60Hz  
 MAXIMUM AMPS: 1.43 (572W) @ 400V/50Hz  
 MAXIMUM AMPS: 0.99 (396W) @ 400V/60Hz  
 MAXIMUM AMPS: 1.14 (500W) @ 440V/50Hz  
 MAXIMUM AMPS: 0.89 (390W) @ 440V/60Hz  
 MAXIMUM AMPS: 0.75 (360W) @ 480V/50Hz  
 MAXIMUM AMPS: 0.77 (370W) @ 480V/60Hz  
 MAINTAINS IPP66 BETWEEN EQUIPMENT AND ENCLOSURE  
 OPERATING TEMPERATURE: -40°- +60°C  
 T CODE: W/O CRANKCASE HEATER- T6  
 T CODE: W/ CRANKCASE HEATER- T5  
 DIMENSIONS: 20.123" (511MM) H x 9.850" (250MM) W x 11.000" (279MM) D  
 WEIGHT: 57.5 LBS (26.1KG) @ 120/220/230/240V  
 WEIGHT: 72.5 LBS (32.9KG) @ 400/440/480V  
 REFRIGERANT CHARGE: R134-A 10OZ (284G)

**RELATED DRAWING; DO NOT CHANGE WITHOUT  
AUTHORIZED PERSON APPROVAL.**

B	ADDED CFM, dBA, 240V AND 440V 50/60HZ, AND CLEARANCE INFO	RCC	4/26/2018	JGG	4/26/2018	1347
A	PRODUCTION RELEASE	ART	11/6/2017	JGG	11/6/2017	1331
REV	REVISION	CHG	DATE	APP	DATE	CN#

ITEM NUMBER	N/A	USED ON	IQ2000EVZ2
MATERIAL	N/A		
EST WT:	lbs		
DRAWN BY	ART	DATE	11/6/2017
		SCALE	1:6

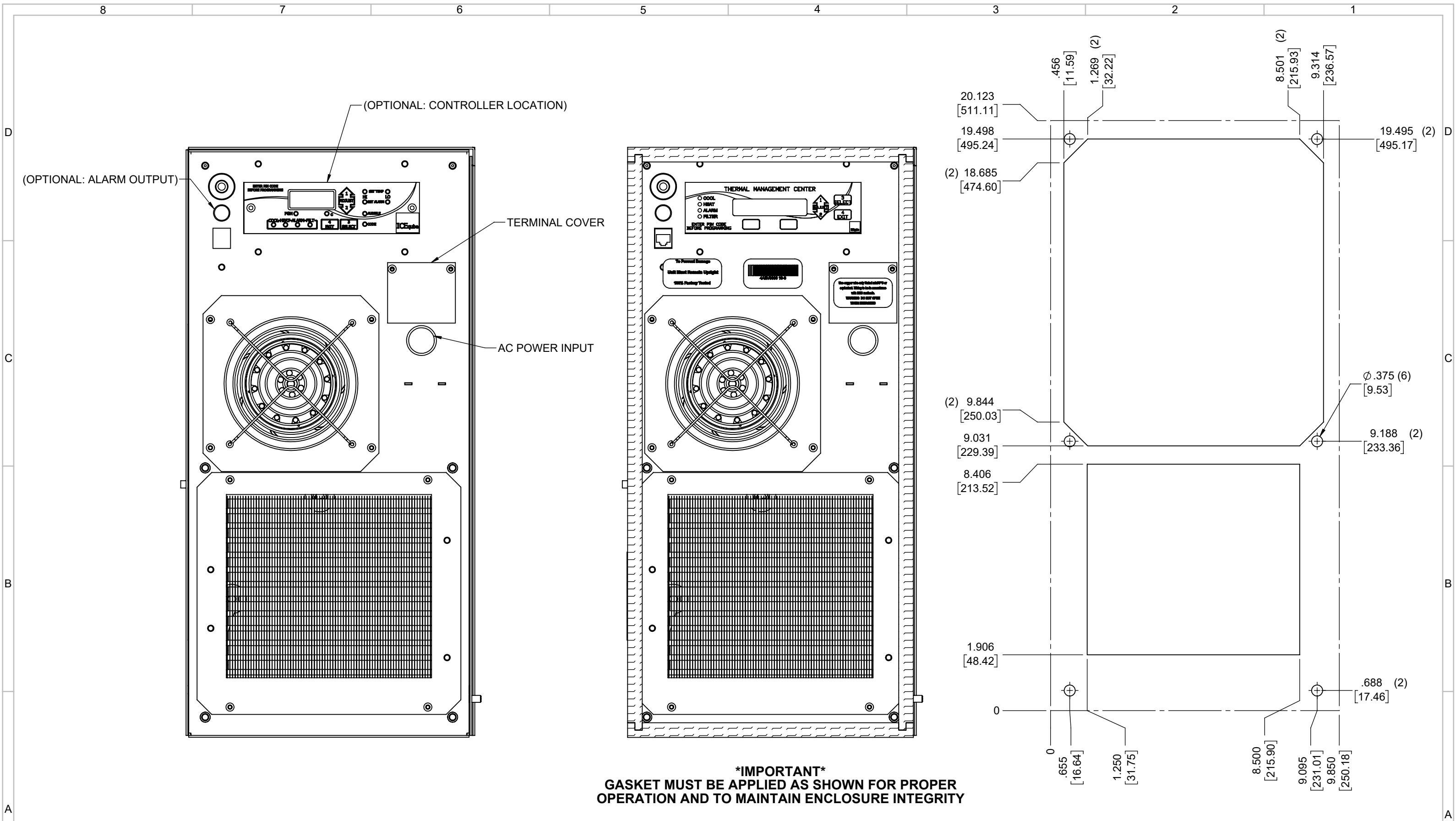
UNLESS OTHERWISE SPECIFIED TOLERANCES	
X	±.060
.XX	±.030
.XXX	±.015
FRACTIONAL	±1/16
ANGULAR	±1/2°
SURFACE FINISH	63
DO NOT SCALE DRAWING DIMENSIONS ARE INCHES	

**ICE QUBE, INC.**  
THIS IS A PROPRIETARY DOCUMENT. DO NOT REPRODUCE OR DISCLOSE WITHOUT THE EXPRESS WRITTEN PERMISSION OF ICE QUBE, INC.

DESCRIPTION  
**IQ2000EVZ2 ZONE 2 ATEX IECEx  
 SPEC DRAWING**

DRAWING NUMBER  
**IQ351469**

REV  
**B**



EVAP. OUTLET ≈ 175 CFM  
 COND. OUTLET ≈ 350 CFM  
 SOUND LEVEL @5FT FROM UNIT @ A HT. OF 3FT = 64 dBA  
 SOUND LEVEL @2FT FROM UNIT @ A HT. OF 5FT = 68 dBA  
 CONDENSER INLET MIN. CLEARANCE 1.84"

**\*IMPORTANT\***  
**GASKET MUST BE APPLIED AS SHOWN FOR PROPER**  
**OPERATION AND TO MAINTAIN ENCLOSURE INTEGRITY**

ITEM NUMBER N/A	USED ON IQ2000EVZ2	UNLESS OTHERWISE SPECIFIED TOLERANCES X ±.060 .XX ±.030 .XXX ±.015	<b>ICE QUBE, INC.</b> <small>THIS IS A PROPRIETARY DOCUMENT. DO NOT REPRODUCE OR DISCLOSE WITHOUT THE EXPRESS WRITTEN PERMISSION OF ICE QUBE, INC.</small> DESCRIPTION <b>IQ2000EVZ2 ZONE 2 ATEX IECEx SPEC DRAWING</b> DRAWING NUMBER <b>IQ351469</b>
MATERIAL N/A		FRACTIONAL ±1/4 ANGULAR ±1/2° SURFACE FINISH 63	
EST WT: DRAWN BY ART	DATE 11/6/2017	SCALE 1:3	REV B