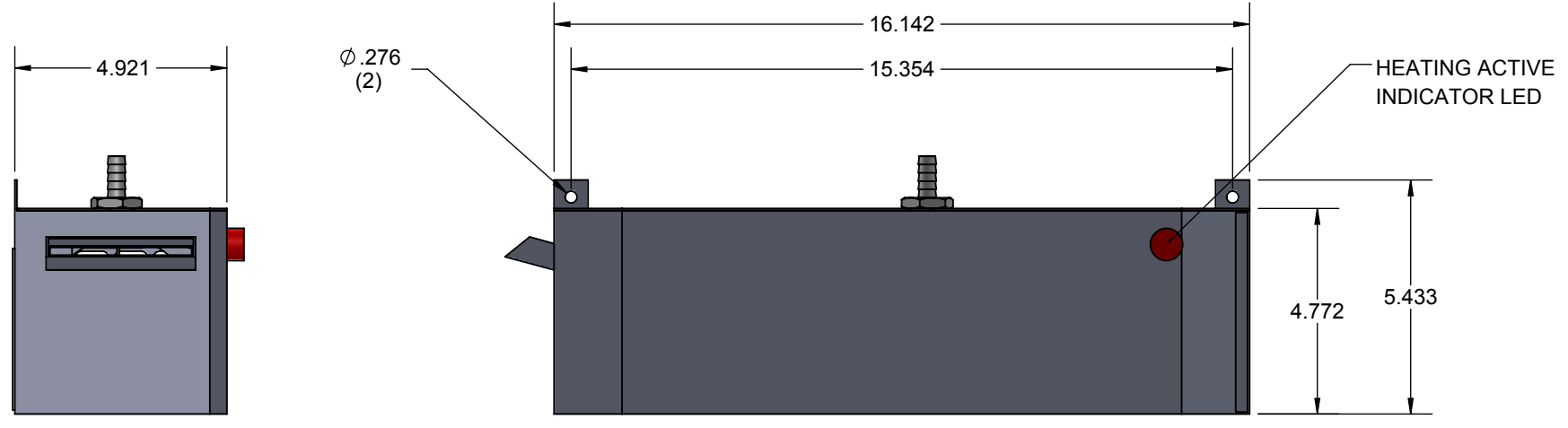
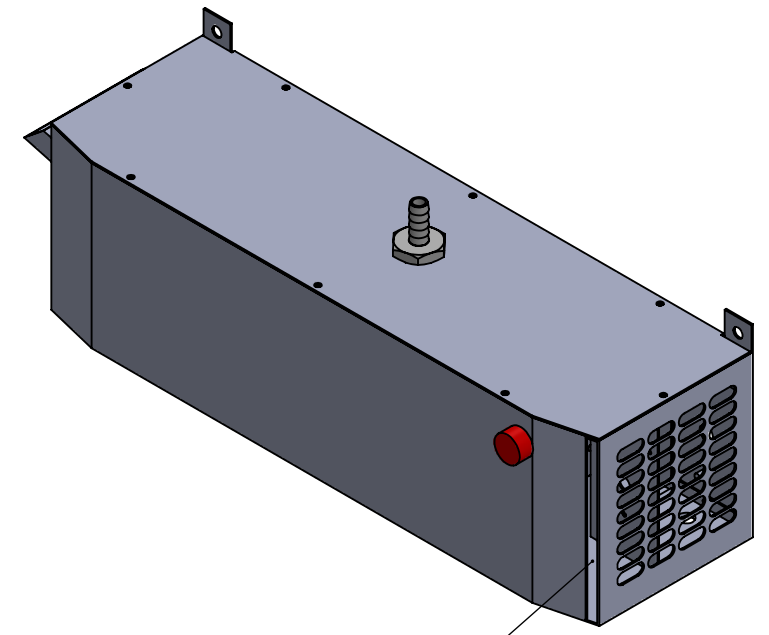
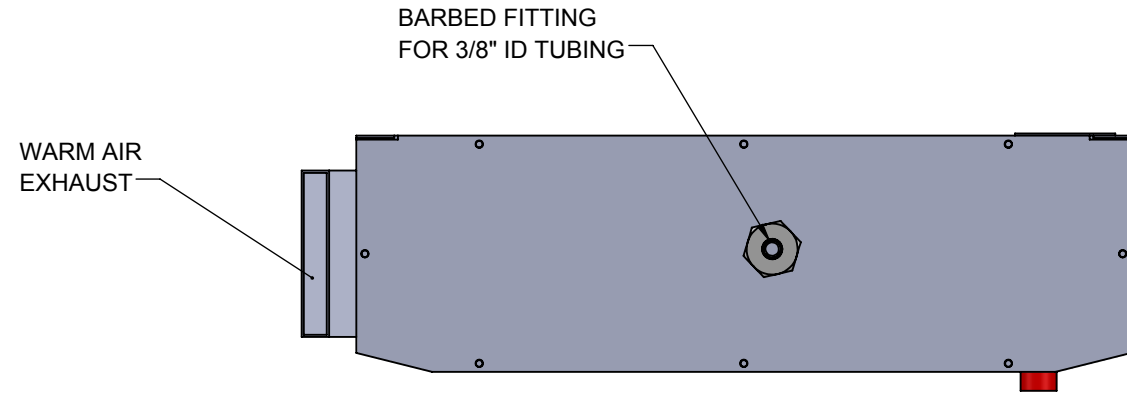


NOTES:

1. INPUT POWER: 900 WATTS
2. MAXIMUM CURRENT (A): 4.5 @ 230V/ 8.0 @ 120V
3. EVAPORATION RATE: 30.4 oz/h (900 ml/h)
4. FAN CFM: 48.5
5. SOUND LEVEL: 40dBA
6. INGRESS PROTECTION: IP22
7. NET WEIGHT: 10.4LBS (4.7KG)
8. WORKING TEMPERATURE: -10°C - +55°C



ITEM NUMBER	N/A	
MATERIAL	N/A	
EST WT:	lbs	
DRAWN BY	DATE	SCALE
JGG	2-28-18	1:4
REV	REVISION	CN #
A	INITIAL RELEASE	
	JGG	2-28-18
	CHG	DATE
	APP	DATE

USED ON	COND1019, COND1020
---------	-----------------------

UNLESS OTHERWISE SPECIFIED TOLERANCES
.X ±.060
.XX ±.030
.XXX ±.015
FRACTIONAL ±1/16
ANGULAR ±1/2°
SURFACE FINISH 63
DO NOT SCALE DRAWING DIMENSIONS ARE INCHES

DESCRIPTION	CONDENSATE EVAPORATOR
DRAWING NUMBER	IQ351820
REV	A

**ICE QUBE, INC.**

THIS IS A PROPRIETARY DOCUMENT. DO NOT REPRODUCE OR DISCLOSE WITHOUT THE EXPRESS WRITTEN PERMISSION OF ICE QUBE, INC.

**CONDENSATE EVAPORATOR**

**IQ351820**