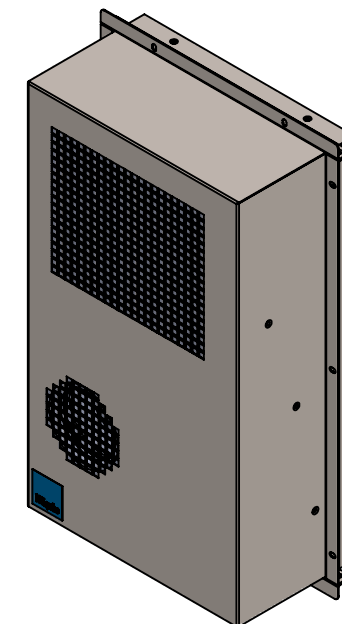
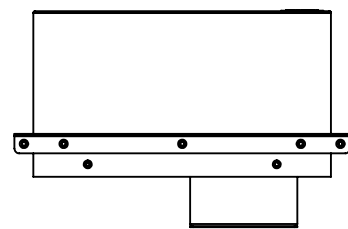
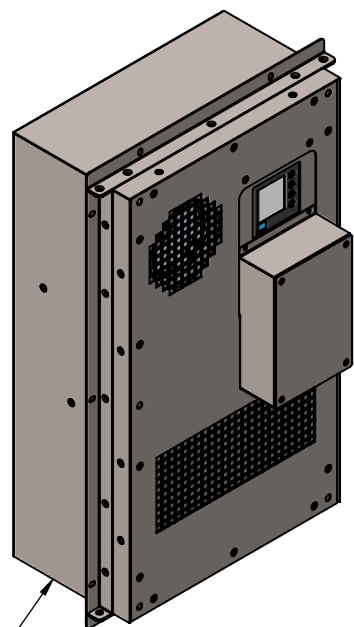
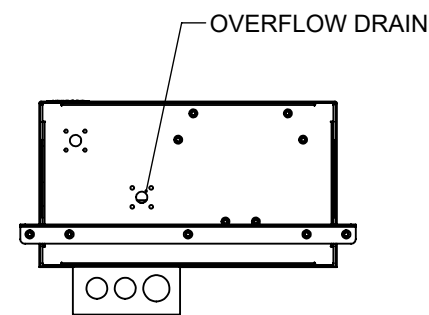
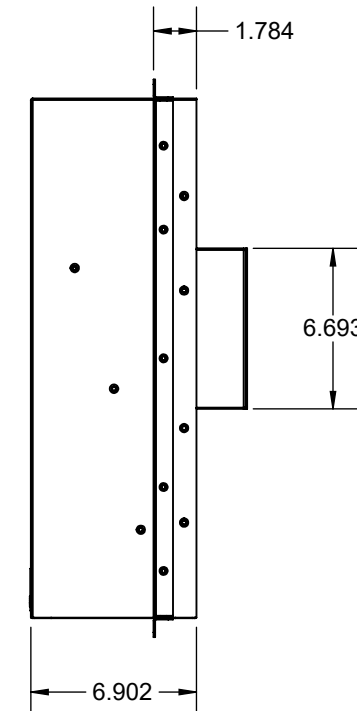
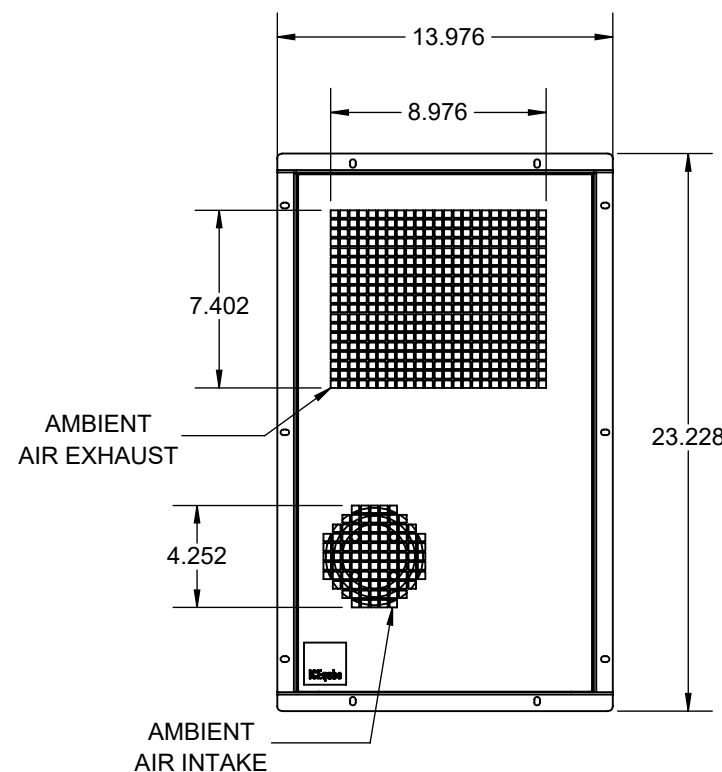
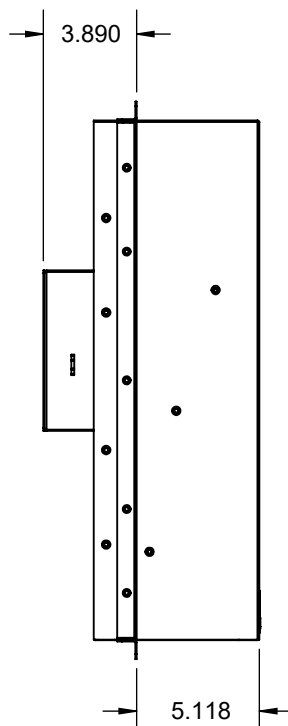
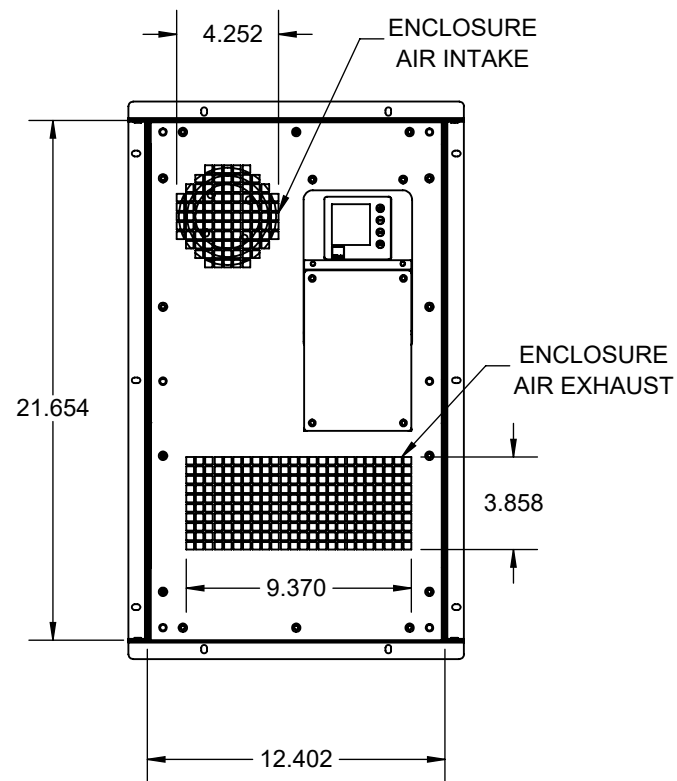


# BDC SERIES



OPTIONAL:  
INSET VERTICAL MOUNTING FLANGE



**MODEL: IQ2000BDC**

COOLING CAPACITY: 2047 BTU (600W)

HEATING CAPACITY: 1365 BTU (400W)

OPERATING CURRENT: 4.2A (202W) @ 48VDC @ 95°F (35°C)

OPERATING TEMPERATURE RANGE: -40°F TO 131°F (-40°C TO 55°C) WITH LA PACKAGE

DIMENSIONS W/O FLANGES: 21.65" H (550MM) X 12.60" W (320MM) X 6.89" D (175MM)

DIMENSIONS W/ FLANGES: 23.07" H (586MM) X 13.98" W (355MM) X 6.89" D (175MM)

MAXIMUM SOUND LEVEL @ 5FT FROM UNIT @ A HT. OF 3FT: 60 dBA

MAXIMUM SOUND LEVEL @ 2FT FROM UNIT @ A HT. OF 5FT: 62.8 dBA

WEIGHT: 50.7 LBS (23KG)

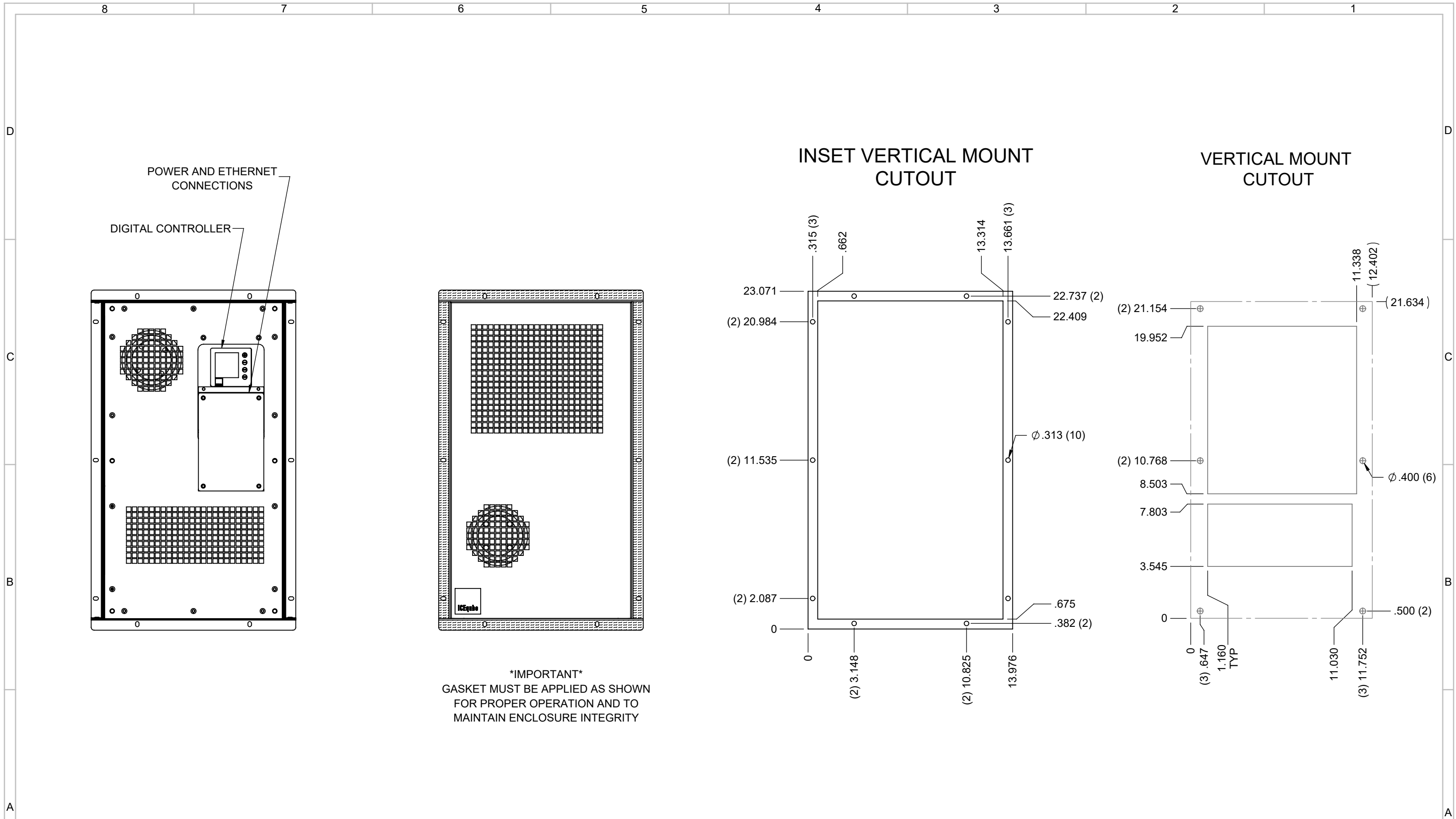
REFRIGERANT: R134a

B	NEW VERTICAL METAL WORK, ADDED CFM'S	JWS	9/17/2021				
A	INITIAL DRAFT	NAT	9/28/2020				
REV	REVISION	CHG	DATE	APP	DATE	CN #	

ITEM NUMBER N/A	USED ON IQ2000BDC
MATERIAL N/A	
EST WT: lbs	
DRAWN BY NAT	DATE 9/28/2020
	SCALE 1:8

UNLESS OTHERWISE SPECIFIED TOLERANCES
.X ±.060
.XX ±.030
.XXX ±.015
FRACTIONAL ±1/16
ANGULAR ±1/2°
SURFACE FINISH 63
DO NOT SCALE DRAWING DIMENSIONS ARE INCHES

ICE QUBE, INC.	
THIS IS A PROPRIETARY DOCUMENT. DO NOT REPRODUCE OR DISCLOSE WITHOUT THE EXPRESS WRITTEN PERMISSION OF ICE QUBE, INC.	
DESCRIPTION SPEC DRAWING	
DRAWING NUMBER IQ352496	REV B



EVAP. OUTLET ≈ 210 CFM  
COND. OUTLET ≈ 260 CFM

ITEM NUMBER N/A	USED ON IQ2000BDC
MATERIAL N/A	
EST WT: lbs	
DRAWN BY NAT	DATE 9/28/2020
	SCALE 1:8

UNLESS OTHERWISE SPECIFIED TOLERANCES
X ±.060
.XX ±.030
.XXX ±.015
FRACTIONAL ±1/4
ANGULAR ±1/2°
SURFACE FINISH 63
DO NOT SCALE DRAWING DIMENSIONS ARE INCHES

**ICE QUBE, INC.**  
THIS IS A PROPRIETARY DOCUMENT. DO NOT REPRODUCE OR DISCLOSE WITHOUT THE EXPRESS WRITTEN PERMISSION OF ICE QUBE, INC.

DESCRIPTION  
**SPEC DRAWING**

DRAWING NUMBER  
**IQ352496**

REV  
**B**