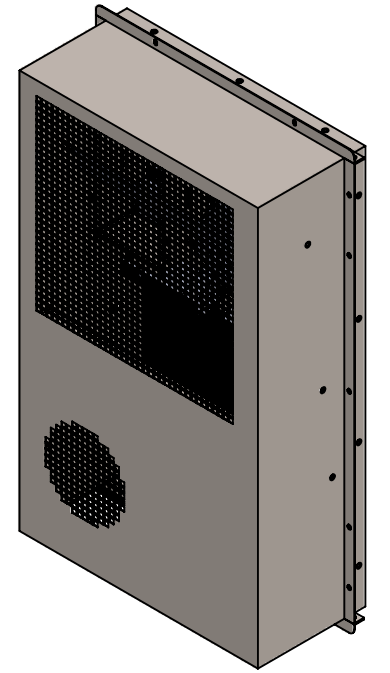
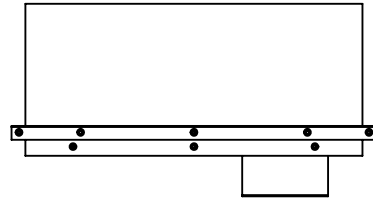
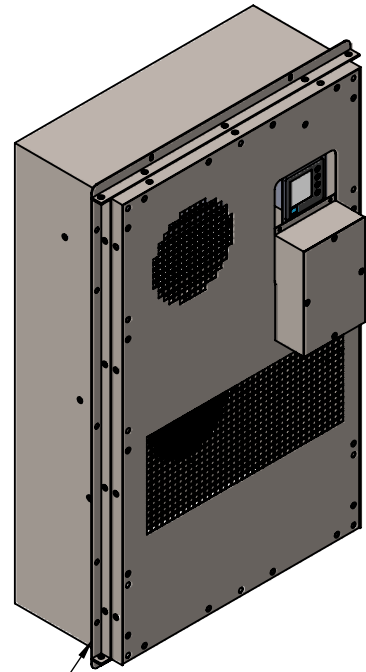
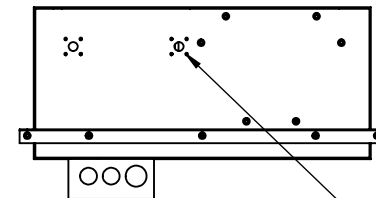
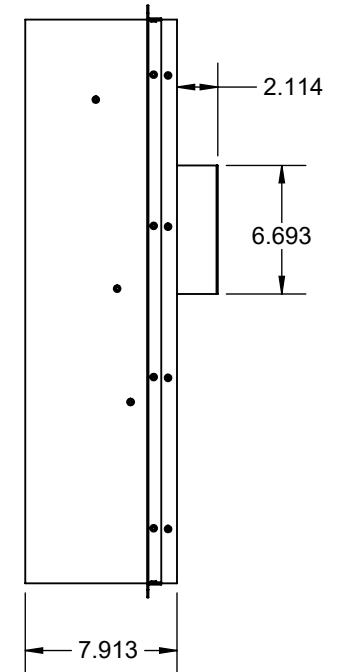
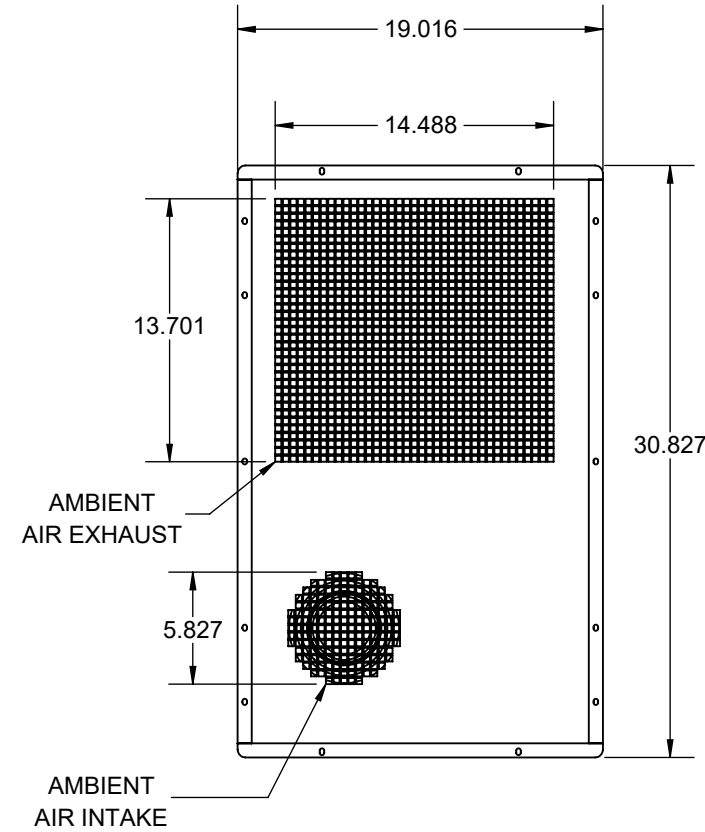
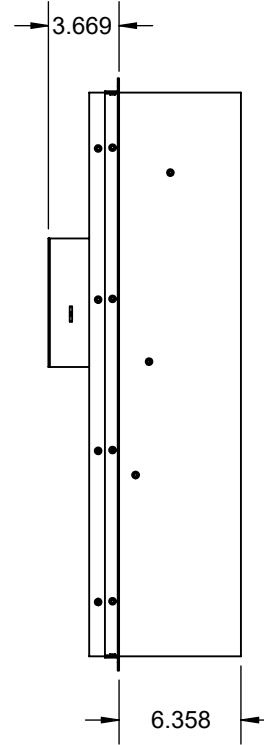
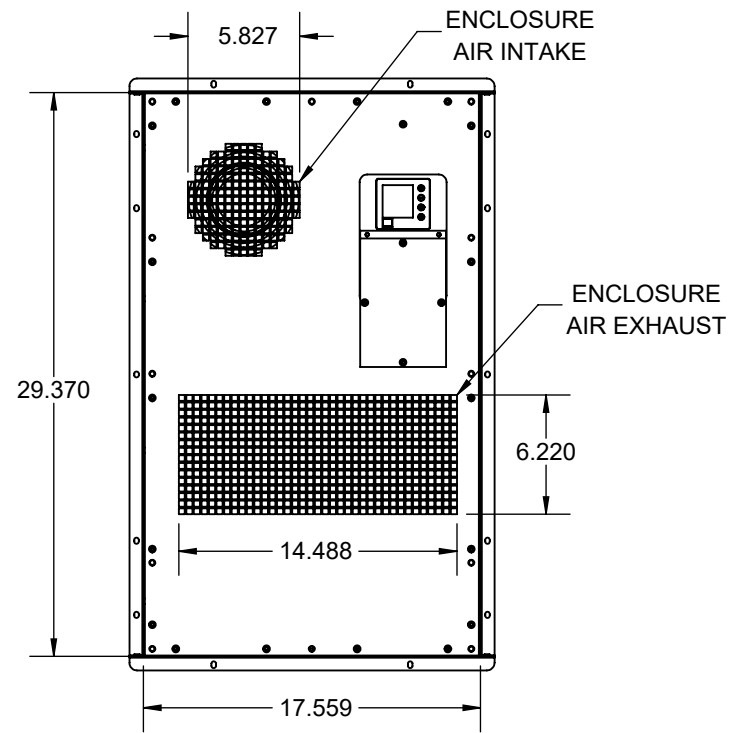


BDC SERIES



OPTIONAL:
INSET VERTICAL MOUNTING FLANGE



OVERFLOW DRAIN

MODEL: IQ5000BDC

COOLING CAPACITY: 5118 BTU (1500W)

HEATING CAPACITY: 1365 BTU (400W)

OPERATING CURRENT: 13A (624W) @ 48VDC @ 95°F (35°C)

OPERATING TEMPERATURE RANGE: -40°F TO 131°F (-40°C TO 55°C) WITH LA PACKAGE

DIMENSIONS W/O FLANGES: 29.53" H (750MM) X 17.72" W (450MM) X 7.87" D (200MM)

DIMENSIONS W/ FLANGES: 30.80" H (782MM) X 19.02" W (483MM) X 7.87" D (200MM)

MAXIMUM SOUND LEVEL @ 5FT FROM UNIT @ A HT. OF 3FT: 60 dBA

MAXIMUM SOUND LEVEL @ 2FT FROM UNIT @ A HT. OF 5FT: 62.8 dBA

WEIGHT: 90.4 LBS (41KG)

REFRIGERANT: R134a

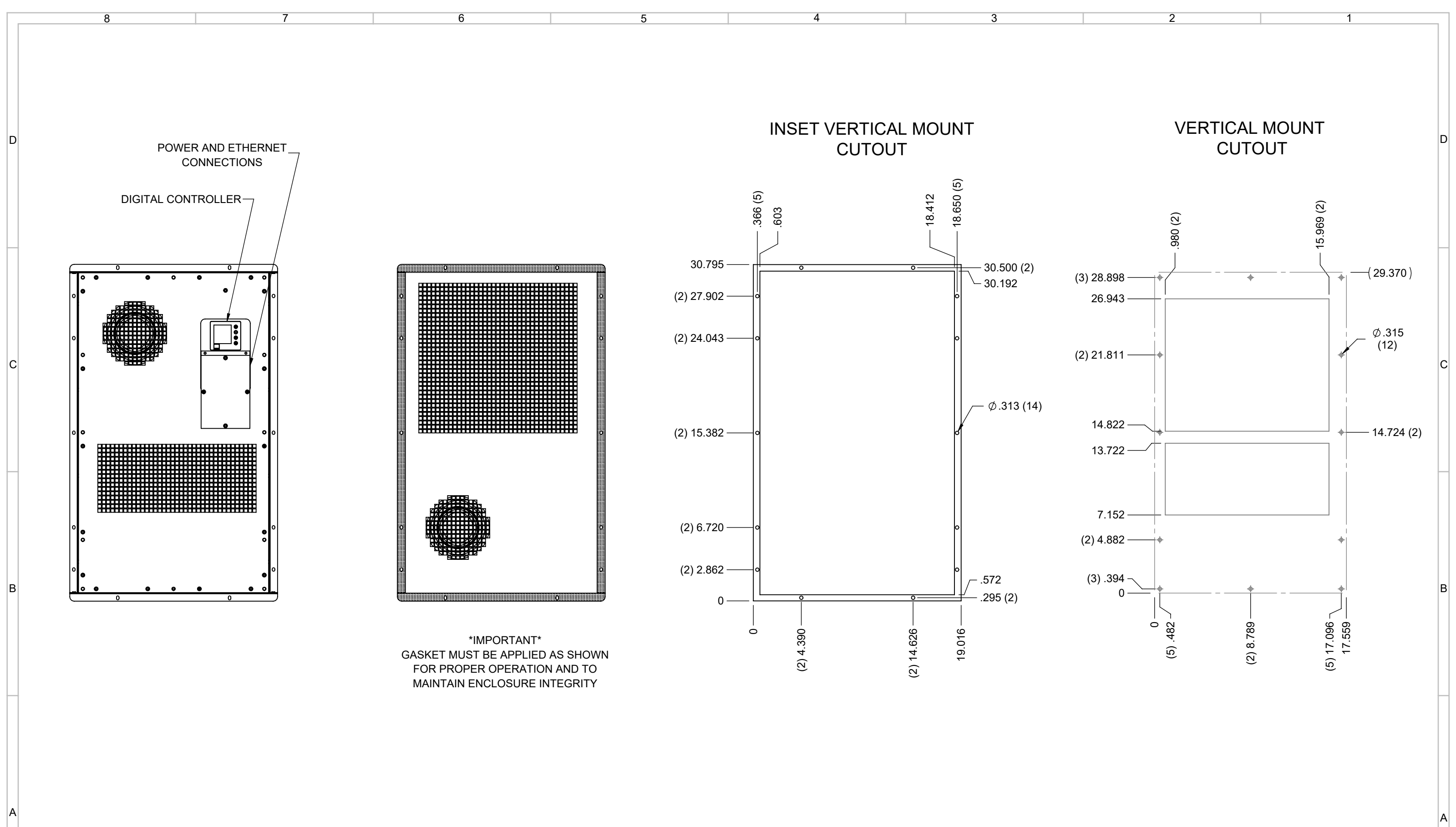
REV	CHG	DATE	APP	DATE	CN #
B		8/31/2021	JWS		
A		9/29/2020	NAT		

ITEM NUMBER	N/A
MATERIAL	N/A
EST WT:	lbs
DRAWN BY	NAT

USED ON	IQ5000BDC
DATE	9/29/2020
SCALE	1:8

UNLESS OTHERWISE SPECIFIED TOLERANCES	
.X	±.060
.XX	±.030
.XXX	±.015
FRACTIONAL	±1/16
ANGULAR	±1/2°
SURFACE FINISH	63
DO NOT SCALE DRAWING DIMENSIONS ARE INCHES	

ICE QUBE, INC.	
THIS IS A PROPRIETARY DOCUMENT. DO NOT REPRODUCE OR DISCLOSE WITHOUT THE EXPRESS WRITTEN PERMISSION OF ICE QUBE, INC.	
DESCRIPTION	
SPEC DRAWING	
DRAWING NUMBER	REV
IQ352498	B



IMPORTANT
 GASKET MUST BE APPLIED AS SHOWN
 FOR PROPER OPERATION AND TO
 MAINTAIN ENCLOSURE INTEGRITY

EVAP. OUTLET ≈ 460
 COND. OUTLET ≈ 520

ITEM NUMBER <i>N/A</i>	USED ON <i>IQ5000BDC</i>	UNLESS OTHERWISE SPECIFIED TOLERANCES .X ±.060 .XX ±.030 .XXX ±.015 FRACTIONAL ±1/4 ANGULAR ±1/2°	THIS IS A PROPRIETARY DOCUMENT. DO NOT REPRODUCE OR DISCLOSE WITHOUT THE EXPRESS WRITTEN PERMISSION OF ICE QUBE, INC. DESCRIPTION SPEC DRAWING DRAWING NUMBER IQ352498
MATERIAL <i>N/A</i>	EST WT: lbs	SURFACE FINISH 63	
DRAWN BY <i>NAT</i>	DATE <i>9/29/2020</i>	SCALE <i>1:8</i>	REV <i>B</i>