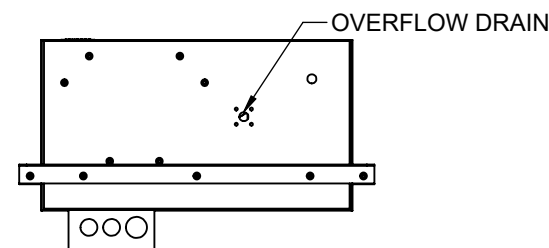
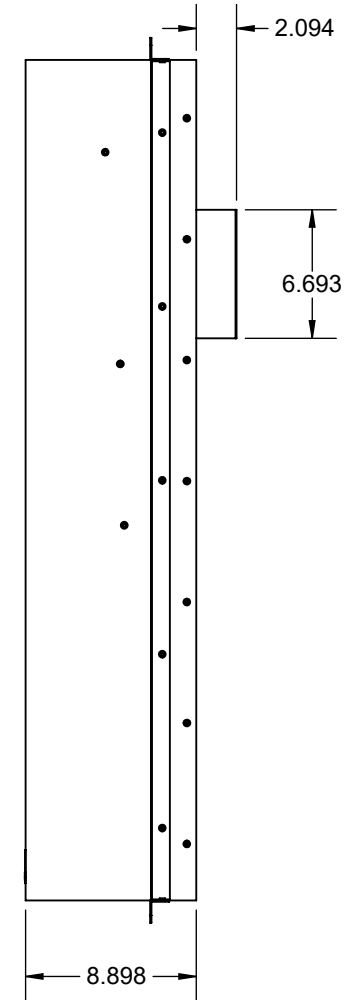
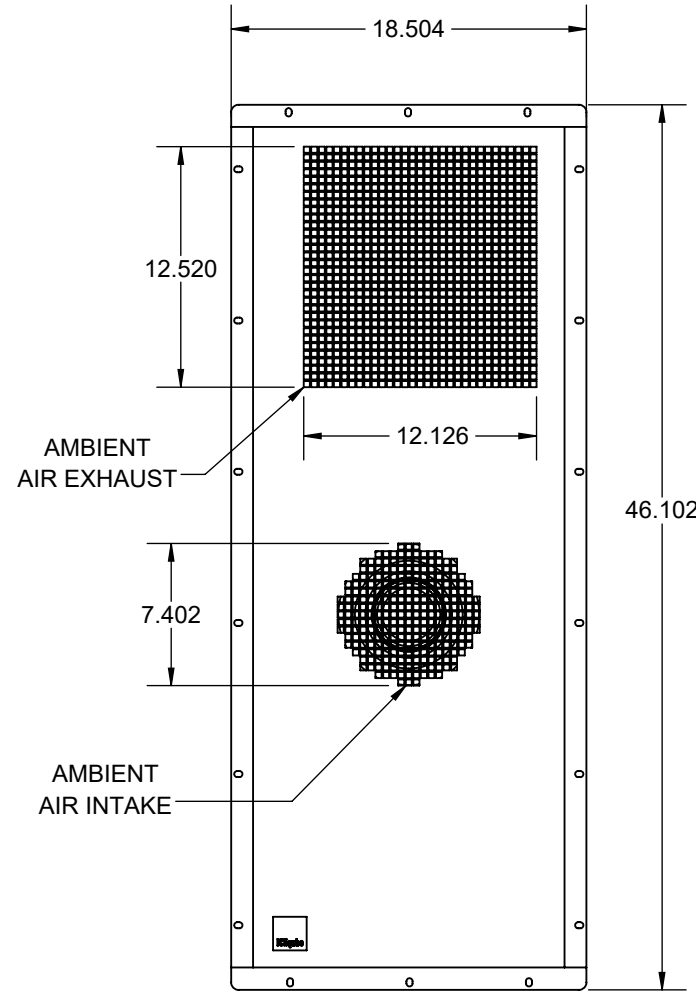
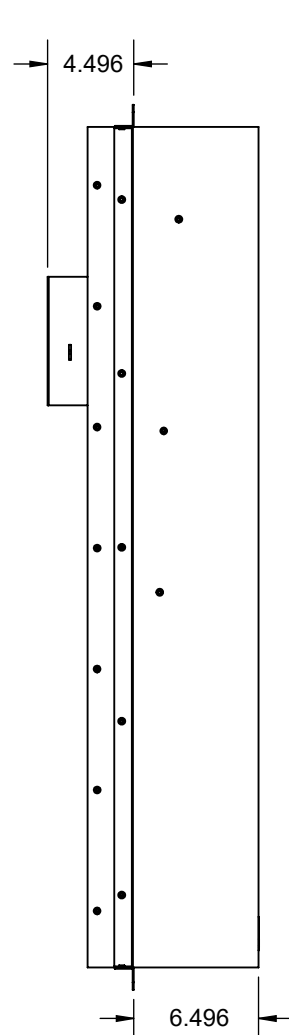
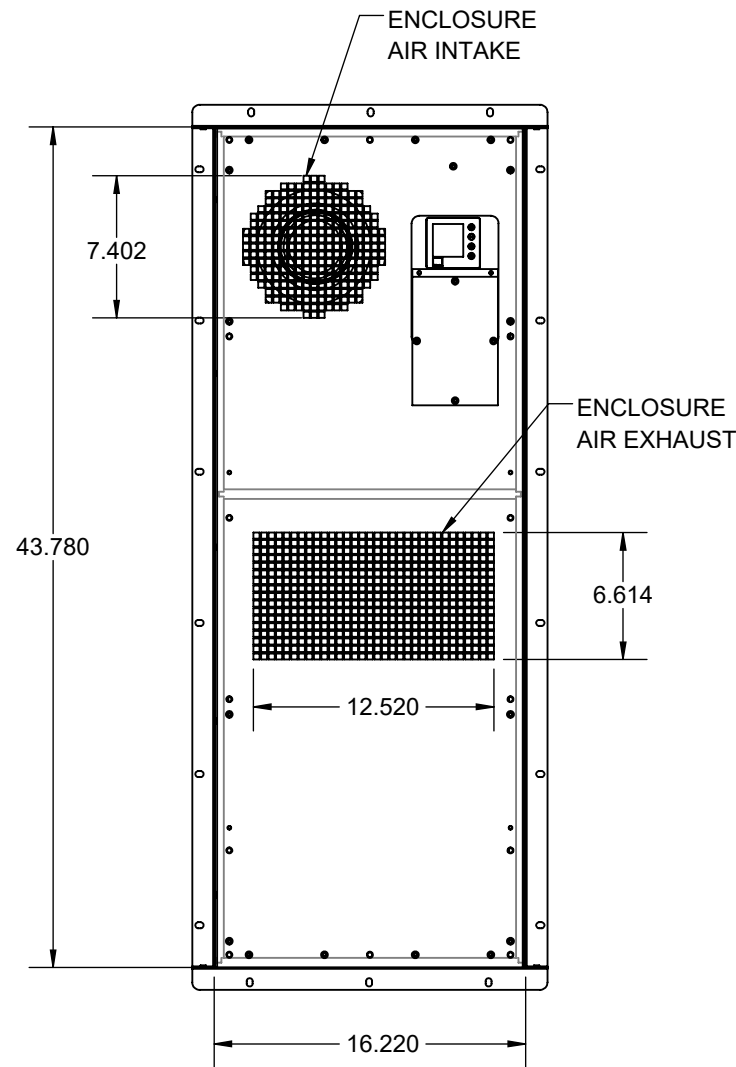
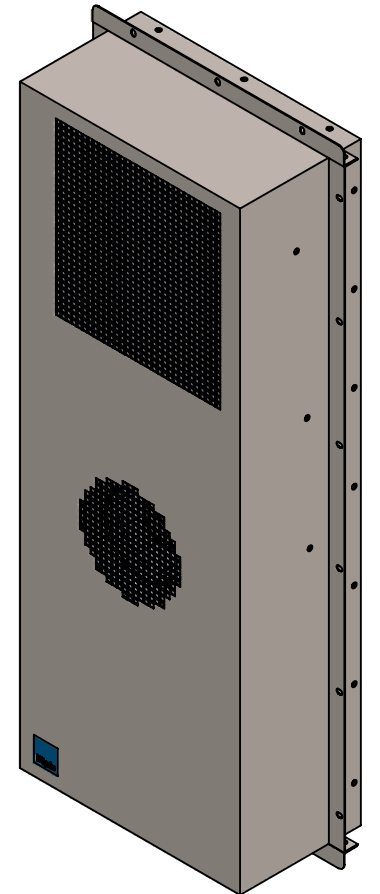
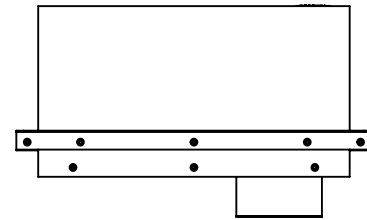
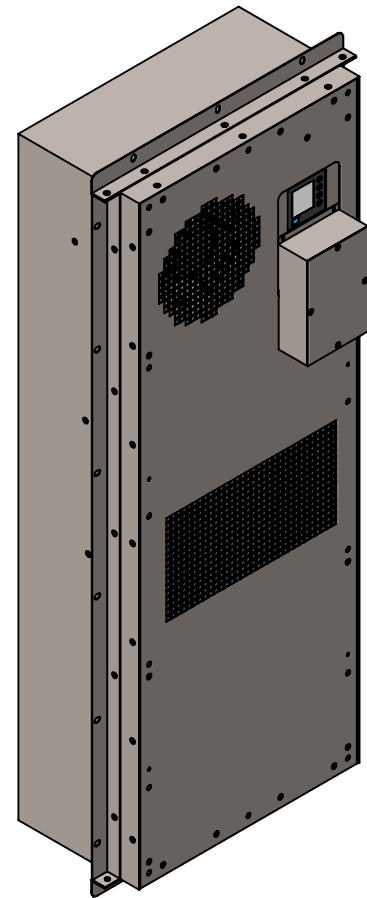


BDC SERIES



MODEL: IQ8500BDC

COOLING CAPACITY: 8530 BTU (2500W)

HEATING CAPACITY: 2730 BTU (800W)

OPERATING CURRENT: 18A (864W) @ 48VDC @ 95°F (35°C)

OPERATING TEMPERATURE RANGE: -40°F TO 131°F (-40°C TO 55°C) WITH LA PACKAGE

DIMENSIONS W/O FLANGES: 43.98" H (1117MM) X 16.42" W (417MM) X 8.86" D (225MM)

DIMENSIONS W/ FLANGES: 46.07" H (1170MM) X 18.50" W (470MM) X 8.86" D (225MM)

MAXIMUM SOUND LEVEL @ 5FT FROM UNIT @ A HT. OF 3FT: 60 dBA

MAXIMUM SOUND LEVEL @ 2FT FROM UNIT @ A HT. OF 5FT: 62.8 dBA

WEIGHT: 127.9 LBS (58KG)

REFRIGERANT: R134a

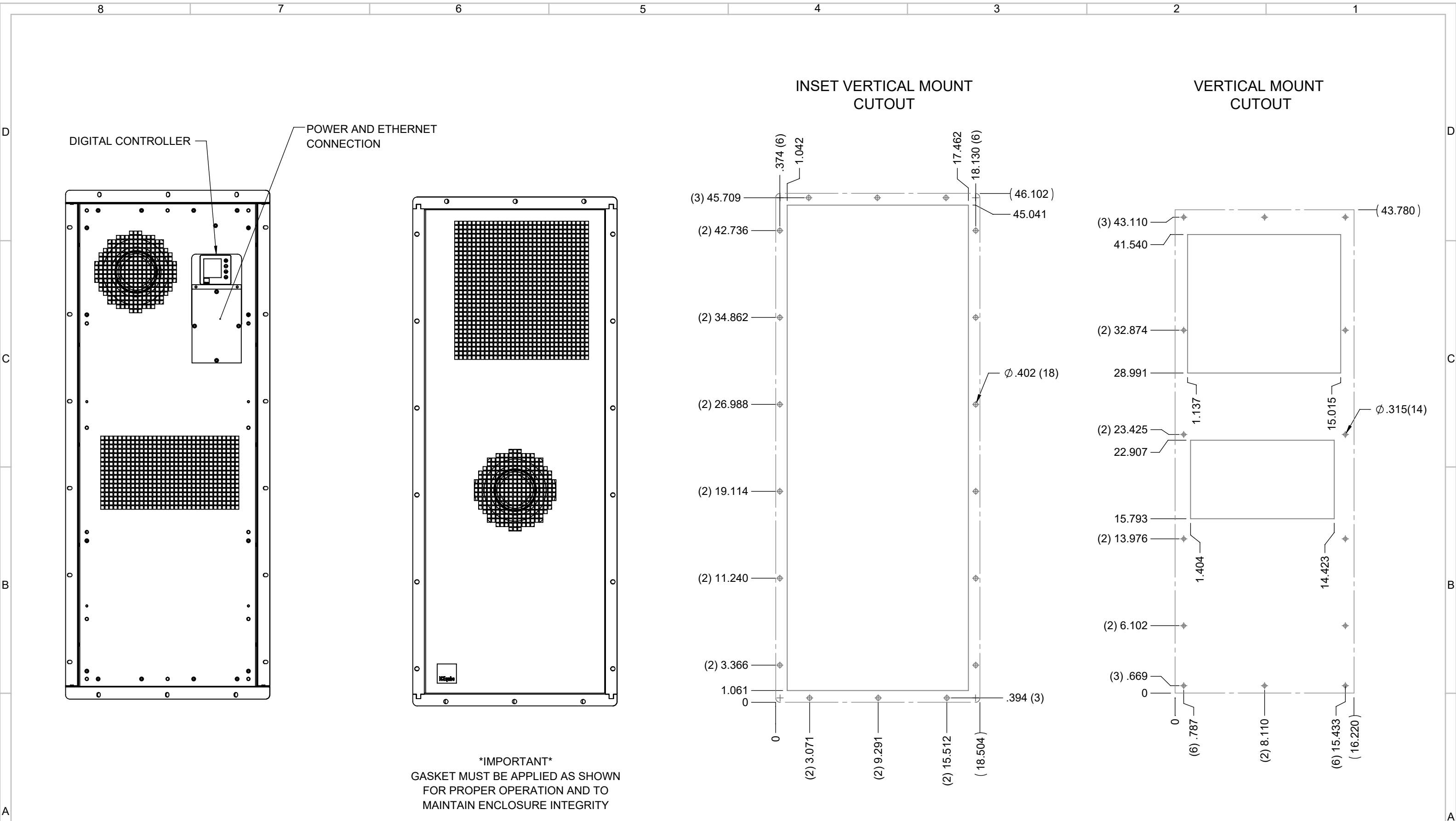
B	ADJUST UNIT AND OVERALL DIMENSIONS, ADDED VERTICAL CUTOUT, CFM	JWS	8/23/2021				
A	INITIAL DRAFT	NAT	9/28/2020				
REV	REVISION	CHG	DATE	APP	DATE	CN#	

ITEM NUMBER	N/A
MATERIAL	N/A
EST WT:	lbs
DRAWN BY	NAT

USED ON	IQ8500BDC
DATE	9/28/2020
SCALE	1:12

UNLESS OTHERWISE SPECIFIED TOLERANCES	
.X	±.060
.XX	±.030
.XXX	±.015
FRACTIONAL	±1/16
ANGULAR	±1/2°
SURFACE FINISH	63
DO NOT SCALE DRAWING DIMENSIONS ARE INCHES	

ICE QUBE, INC.	
THIS IS A PROPRIETARY DOCUMENT. DO NOT REPRODUCE OR DISCLOSE WITHOUT THE EXPRESS WRITTEN PERMISSION OF ICE QUBE, INC.	
DESCRIPTION	
SPEC DRAWING	
DRAWING NUMBER	REV
IQ352500	B



IMPORTANT
 GASKET MUST BE APPLIED AS SHOWN
 FOR PROPER OPERATION AND TO
 MAINTAIN ENCLOSURE INTEGRITY

EVAP. OUTLET ≈ 570 CFM
 COND. OUTLET ≈ 720 CFM

ITEM NUMBER N/A	USED ON IQ8500BDC	UNLESS OTHERWISE SPECIFIED TOLERANCES X ±.060 .XX ±.030 .XXX ±.015 FRACTIONAL ±1/4 ANGULAR ±1/2° SURFACE FINISH 63	<p>ICE QUBE, INC. <small>THIS IS A PROPRIETARY DOCUMENT. DO NOT REPRODUCE OR DISCLOSE WITHOUT THE EXPRESS WRITTEN PERMISSION OF ICE QUBE, INC.</small></p>
MATERIAL N/A		DESCRIPTION SPEC DRAWING	
EST WT: lbs	DRAWN BY NAT	DATE 9/28/2020	DRAWING NUMBER IQ352500
		SCALE 1:12	REV B