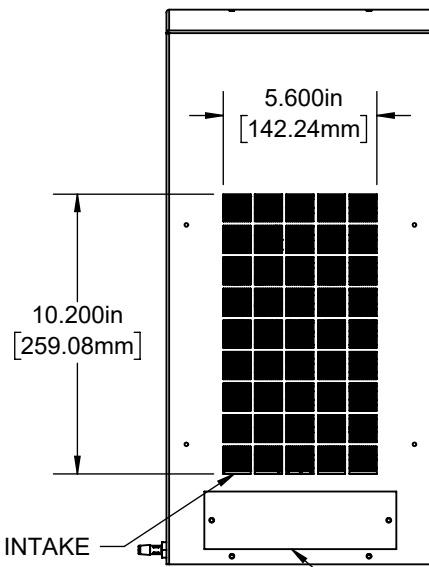


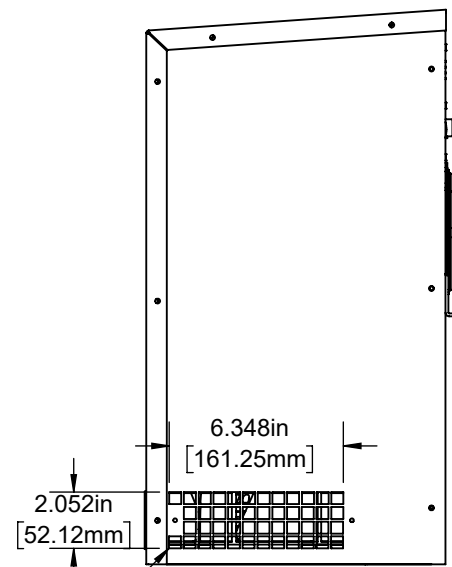
FRONT VIEW



AMBIENT INTAKE

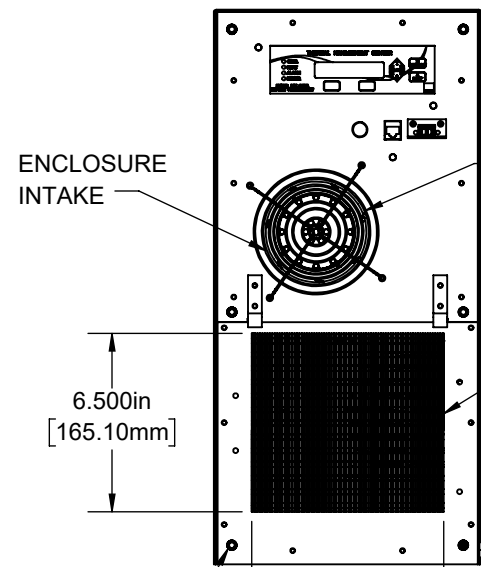
AIR DIVERter PLATE

MOUNTING BRACKETS



AMBIENT EXHAUST

REAR VIEW



ENCLOSURE INTAKE

Ø 3.900in [99.06mm] WITH GUARD

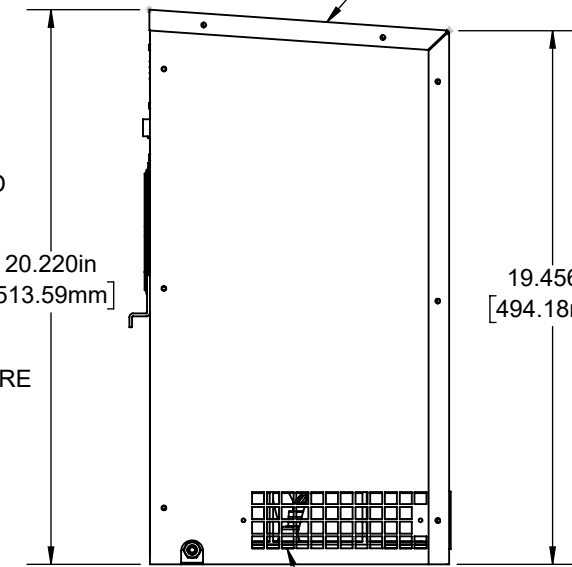
ENCLOSURE EXHAUST

(6) PEM, NUTS, #1/4-20

7.000in [177.80mm]

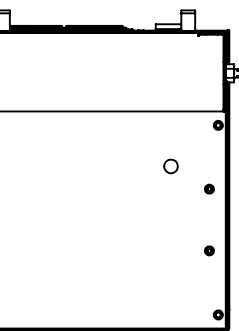
DRAIN TUBE .360" [9.15] O.D.

94° ANGLED TOP



OPTIONAL FILTER COVER SHOWN

AMBIENT EXHAUST



BOTTOM VIEW

MODEL: **IQ1000ECO**

NOMINAL COOLING CAPACITY:

1320 BTUH (386W) @ 131-131°F (55°C-55°C) @ 120V/60Hz

1182 BTUH (346W) @ 95-95°F (35°C-35°C) @ 120V/60Hz

1282 BTUH (376W) @ 131-131°F (55°C-55°C) @ 230V/60Hz

1038 BTUH (305W) @ 95-95°F (35°C-35°C) @ 230V/60Hz

MAX COOLING AMPS: 3.1 (356W) @ 120V/60Hz

MAX COOLING AMPS: 1.6 (368W) @ 230V/60Hz

HEAT AMPS: (500W) HEATER: 4.60 @ 120V/60Hz

HEAT AMPS: (500W) HEATER: 2.39 @ 230V/60Hz

MAXIMUM OPERATION TEMPERATURE: 131°F (55°C) 120/230V

DIMENSIONS: 20.220" (513MM) H x 9.760" (248MM) W x 10.924" (277MM) D

DIMENSIONS: 20.220" (513MM) H x 9.760" (248MM) W x 11.249" (285MM) D: W/FILTER COVER

WEIGHT : 52 LBS (23.6 KG) @ 120/230V

REFRIGERANT CHARGE: R134-A 6 OZ (170 G) @ 120V/Hz 230V/Hz

B	ADDED HEAT 500W AND AMPS	JWS	9/22/2021				
A	INITIAL DRAFT	JWS	10/14/2020				
REV	REVISION	CHG	DATE	APP	DATE	CN#	

ITEM NUMBER	N/A
MATERIAL	N/A
EST WT:	lbs
DRAWN BY	JWS

USED ON	IQ1-2-3000 ECO
DATE	10/20/2020
SCALE	1:7

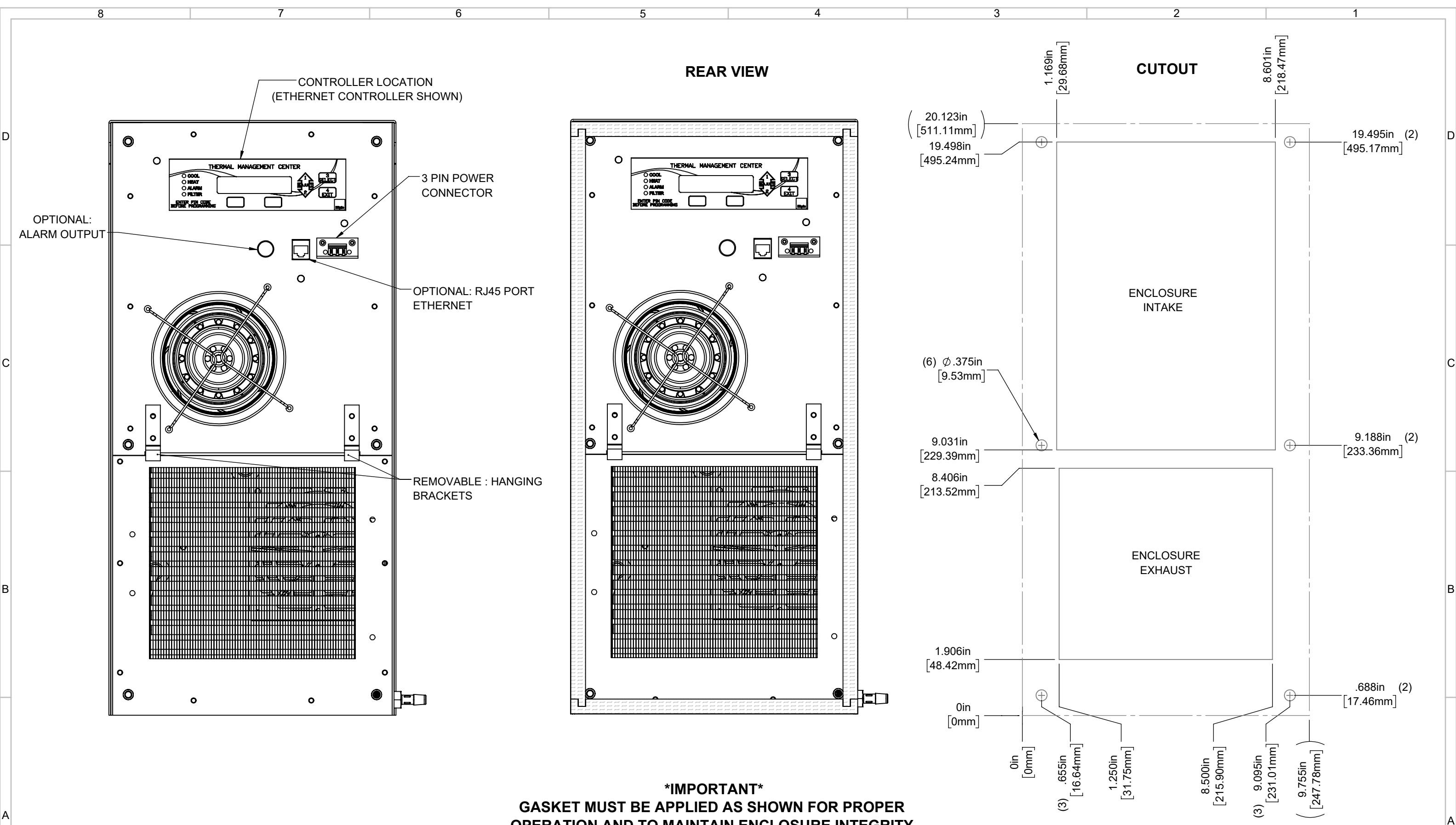
UNLESS OTHERWISE SPECIFIED TOLERANCES	
.X	±.060
.XX	±.030
.XXX	±.015
FRACTIONAL	±1/16
ANGULAR	±1/2°
SURFACE FINISH	63
DO NOT SCALE DRAWING DIMENSIONS ARE INCHES	

ICE QUBE, INC.
THIS IS A PROPRIETARY DOCUMENT. DO NOT REPRODUCE OR DISCLOSE WITHOUT THE EXPRESS WRITTEN PERMISSION OF ICE QUBE, INC.

DESCRIPTION
IQ1000ECO SPEC DRAWING

DRAWING NUMBER
IQ352525

REV
B



IMPORTANT
GASKET MUST BE APPLIED AS SHOWN FOR PROPER OPERATION AND TO MAINTAIN ENCLOSURE INTEGRITY

EVAP. OUTLET ≈ 195 CFM
 COND. OUTLET ≈ 185 CFM
 SOUND LEVEL @5FT FROM UNIT @ A HT. OF 3FT = 64dBA
 SOUND LEVEL @2FT FROM UNIT @ A HT. OF 5FT = 68dBA
 CONDENSER INLET MIN. CLEARANCE 1.84"

ITEM NUMBER N/A	USED ON IQ1-2-3000 ECO	UNLESS OTHERWISE SPECIFIED TOLERANCES X ±.060 XX ±.030 XXX ±.015	<p>ICE QUBE, INC. <small>THIS IS A PROPRIETARY DOCUMENT. DO NOT REPRODUCE OR DISCLOSE WITHOUT THE EXPRESS WRITTEN PERMISSION OF ICE QUBE, INC.</small></p>
MATERIAL N/A		FRACTIONAL ±1/4 ANGULAR ±1/2°	
EST WT: lbs	DATE 10/20/2020	SCALE 1:8	DESCRIPTION IQ1000ECO SPEC DRAWING
DRAWN BY JWS			DRAWING NUMBER IQ352525
			REV B