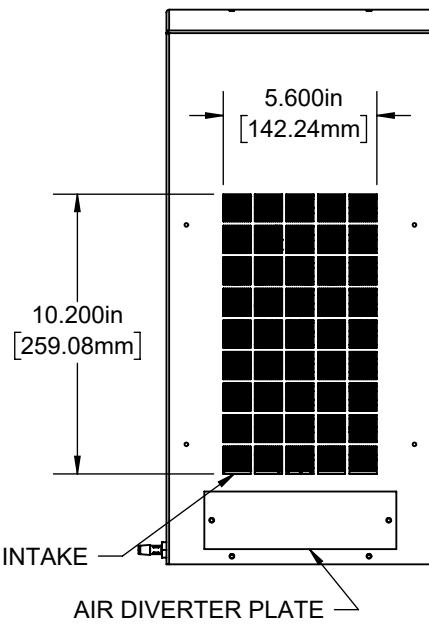
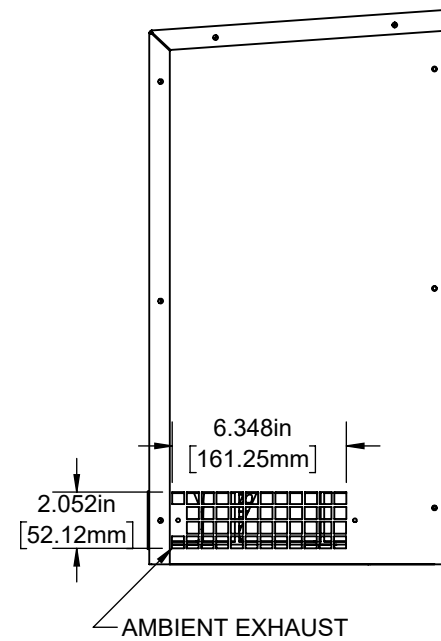


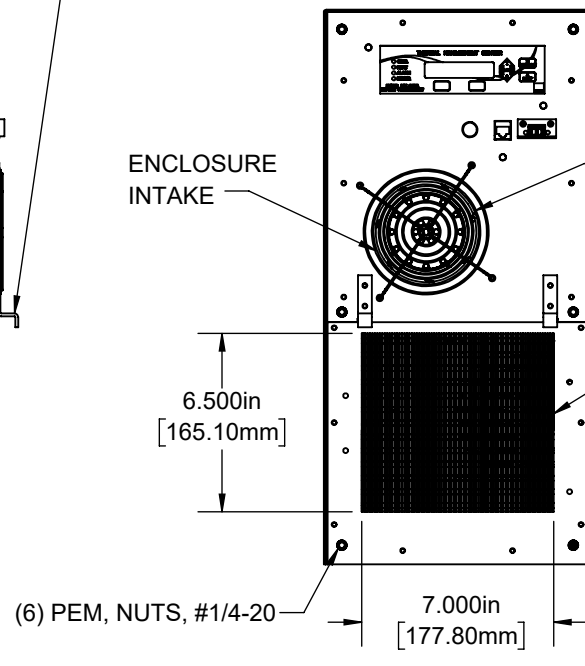
FRONT VIEW



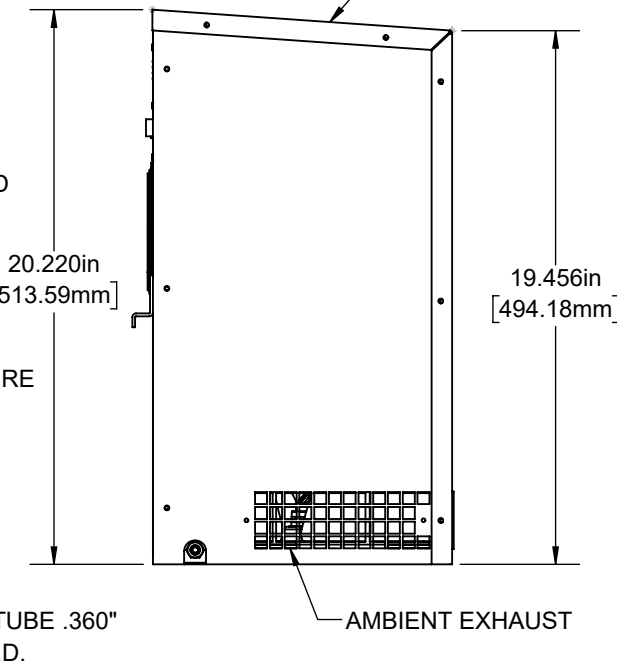
MOUNTING BRACKETS



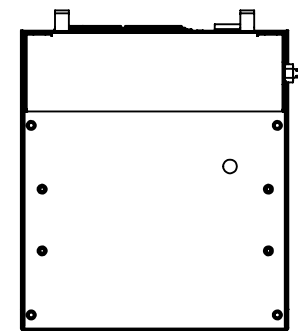
REAR VIEW



94° ANGLED TOP



BOTTOM VIEW



MODEL: IQ2000ECO

NOMINAL COOLING CAPACITY:

2327 BTUH (682W) @ 131-131°F (55°C-55°C) @ 120V/60Hz

1996 BTUH (585W) @ 95-95°F (35°C-35°C) @ 120V/60Hz

2377 BTUH (696W) @ 131-131°F (55°C-55°C) @ 230V/60Hz

1960 BTUH (575W) @ 95-95°F (35°C-35°C) @ 230V/60Hz

MAX COOLING AMPS: 3.4 (408W) @ 120V/60Hz

MAX COOLING AMPS: 1.7 (391W) @ 230V/60Hz

HEAT AMPS: (500W) HEATER: 4.60 @ 120V/60Hz

HEAT AMPS: (500W) HEATER: 2.39 @ 230V/60Hz

MAXIMUM OPERATION TEMPERATURE: 131°F (55°C) 120V/230V

DIMENSIONS: 20.220" (513MM) H x 9.760" (248MM) W x 10.924" (277MM) D

DIMENSIONS: 20.220" (513MM) H x 9.760" (248MM) W x 11.249" (285MM) D: W/FILTER COVER

WEIGHT : 52 LBS (23.6 KG) @ 120/230V

REFRIGERANT CHARGE: R134-A 10 OZ (283 G) @ 120V/Hz 230V/Hz

REV	REVISION	CHG	DATE	APP	DATE	CN #
B	ADDED HEAT 500W AND AMPS	JWS	9/22/2021			
A	INITIAL DRAFT	JWS	10/14/2020			

ITEM NUMBER N/A	USED ON IQ1-2-3000 ECO
MATERIAL N/A	
EST WT: lbs	
DRAWN BY JWS	DATE 10/20/2020
	SCALE 1:7

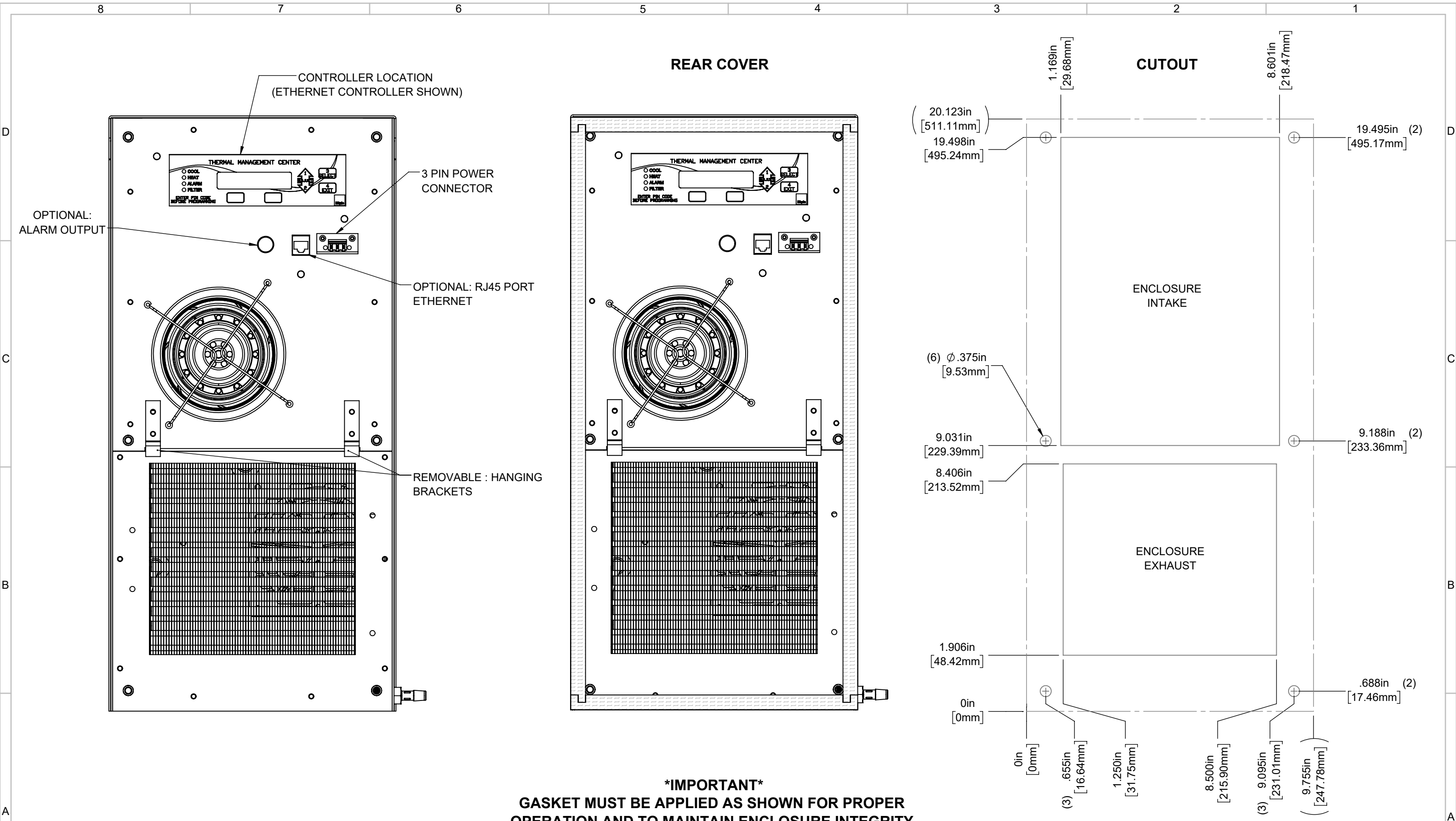
UNLESS OTHERWISE SPECIFIED TOLERANCES	
.X	±.060
.XX	±.030
.XXX	±.015
FRACTIONAL	±1/16
ANGULAR	±1/2°
SURFACE FINISH $\sqrt{63}$	
DO NOT SCALE DRAWING DIMENSIONS ARE INCHES	

ICE QUBE, INC.
THIS IS A PROPRIETARY DOCUMENT. DO NOT REPRODUCE OR DISCLOSE WITHOUT THE EXPRESS WRITTEN PERMISSION OF ICE QUBE, INC.

DESCRIPTION
IQ2000ECO SPEC DRAWING

DRAWING NUMBER
IQ352526

REV
B



EVAP. OUTLET ≈ 195 CFM
 COND. OUTLET ≈ 185 CFM
 SOUND LEVEL @5FT FROM UNIT @ A HT. OF 3FT = 64dBA
 SOUND LEVEL @2FT FROM UNIT @ A HT. OF 5FT = 68dBA
 CONDENSER INLET MIN. CLEARANCE 1.84"

IMPORTANT
GASKET MUST BE APPLIED AS SHOWN FOR PROPER OPERATION AND TO MAINTAIN ENCLOSURE INTEGRITY

ITEM NUMBER N/A	USED ON IQ1-2-3000 ECO	UNLESS OTHERWISE SPECIFIED TOLERANCES X ±.060 XX ±.030 XXX ±.015 FRACTIONAL ±1/4 ANGULAR ±1/2°	ICE QUBE, INC. <small>THIS IS A PROPRIETARY DOCUMENT. DO NOT REPRODUCE OR DISCLOSE WITHOUT THE EXPRESS WRITTEN PERMISSION OF ICE QUBE, INC.</small> DESCRIPTION IQ2000ECO SPEC DRAWING DRAWING NUMBER IQ352526
MATERIAL N/A	SCALE 1:8	SURFACE FINISH 63	
EST WT: lbs	DATE 10/20/2020	DO NOT SCALE DRAWING DIMENSIONS ARE INCHES	REV B