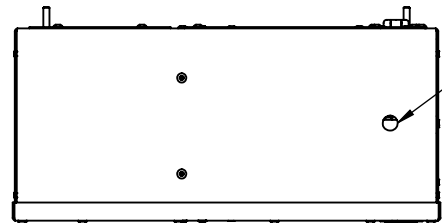
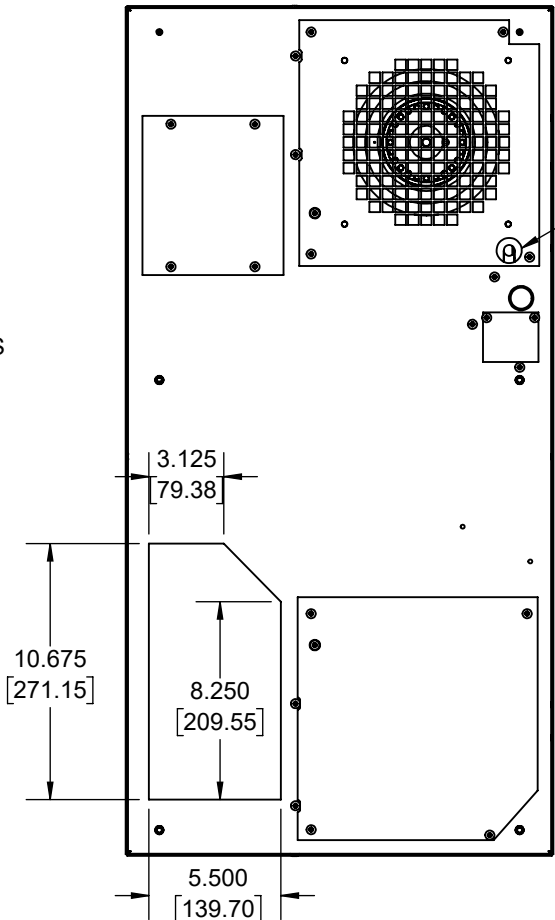
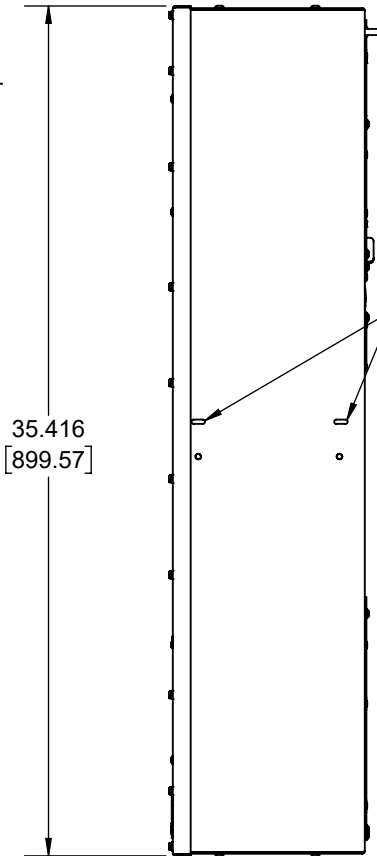
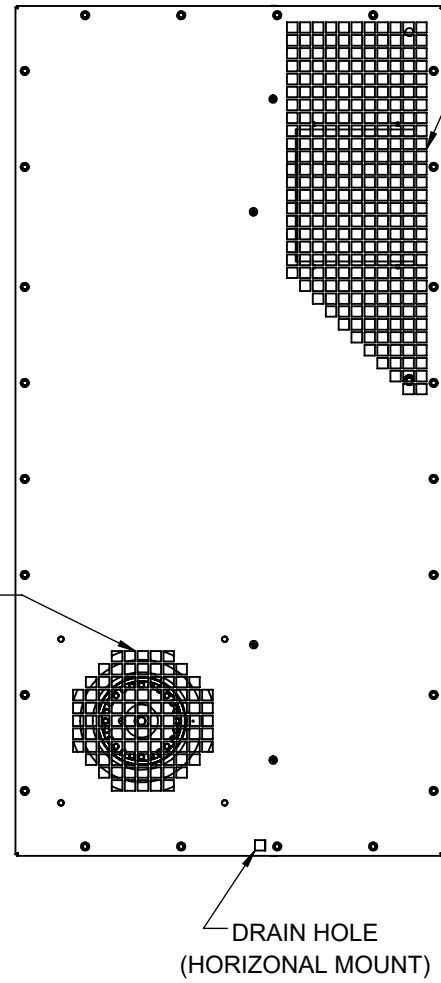
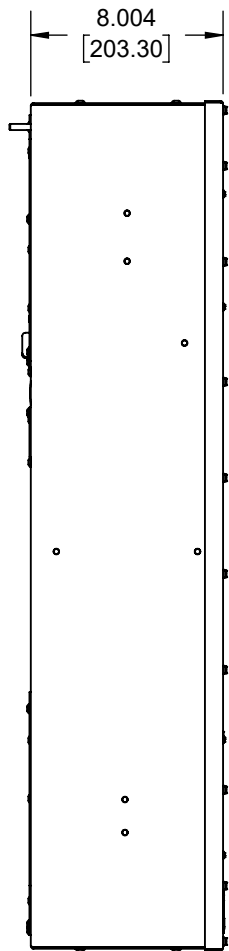
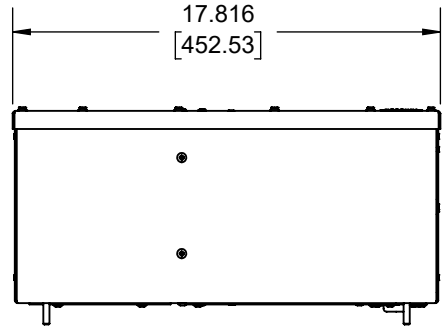
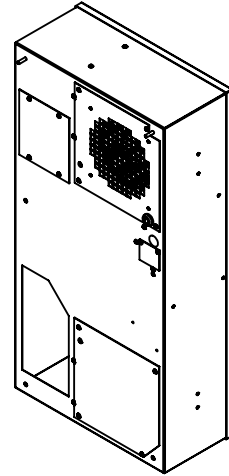
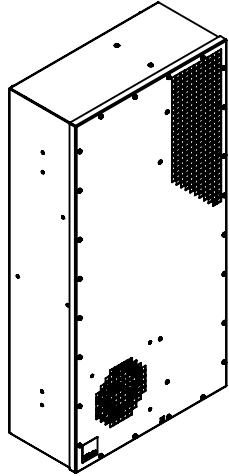


IQ7400HE-XP2

CLASS I, DIVISION 2 CERTIFIED GROUP A, B, C, AND D



IQ7400HE-XP2
 COOLING CAPACITY : 57 WATTS/°F
 MAXIMUM AMPS : 2.00A (240W) @ 120V/60Hz
 MAXIMUM AMPS : 1.00A (230W) @230V 60/50Hz
 MAXIMUM AMPS : 8.82A (212W) @ 24VDC
 MAXIMUM AMPS : 5.42A (260W) @ 48VDC
 MAXIMUM OPERATION TEMP : 140°F (60°C)
 DIMENSIONS : 35.42" (900MM) H X 17.82" (453MM) W X 8.01" (204MM) D
 WEIGHT : 74 LBS (33.6KG)

ITEM NUMBER N/A	USED ON IQ7400HE-XF
MATERIAL N/A	
EST WT: lbs	
DRAWN BY JWS	DATE 12/7/2020
SCALE 1:8	

UNLESS OTHERWISE SPECIFIED TOLERANCES
.X ±.060
.XX ±.030
.XXX ±.015
FRACTIONAL ±1/16
ANGULAR ±1/2°
SURFACE FINISH 63
DO NOT SCALE DRAWING DIMENSIONS ARE INCHES

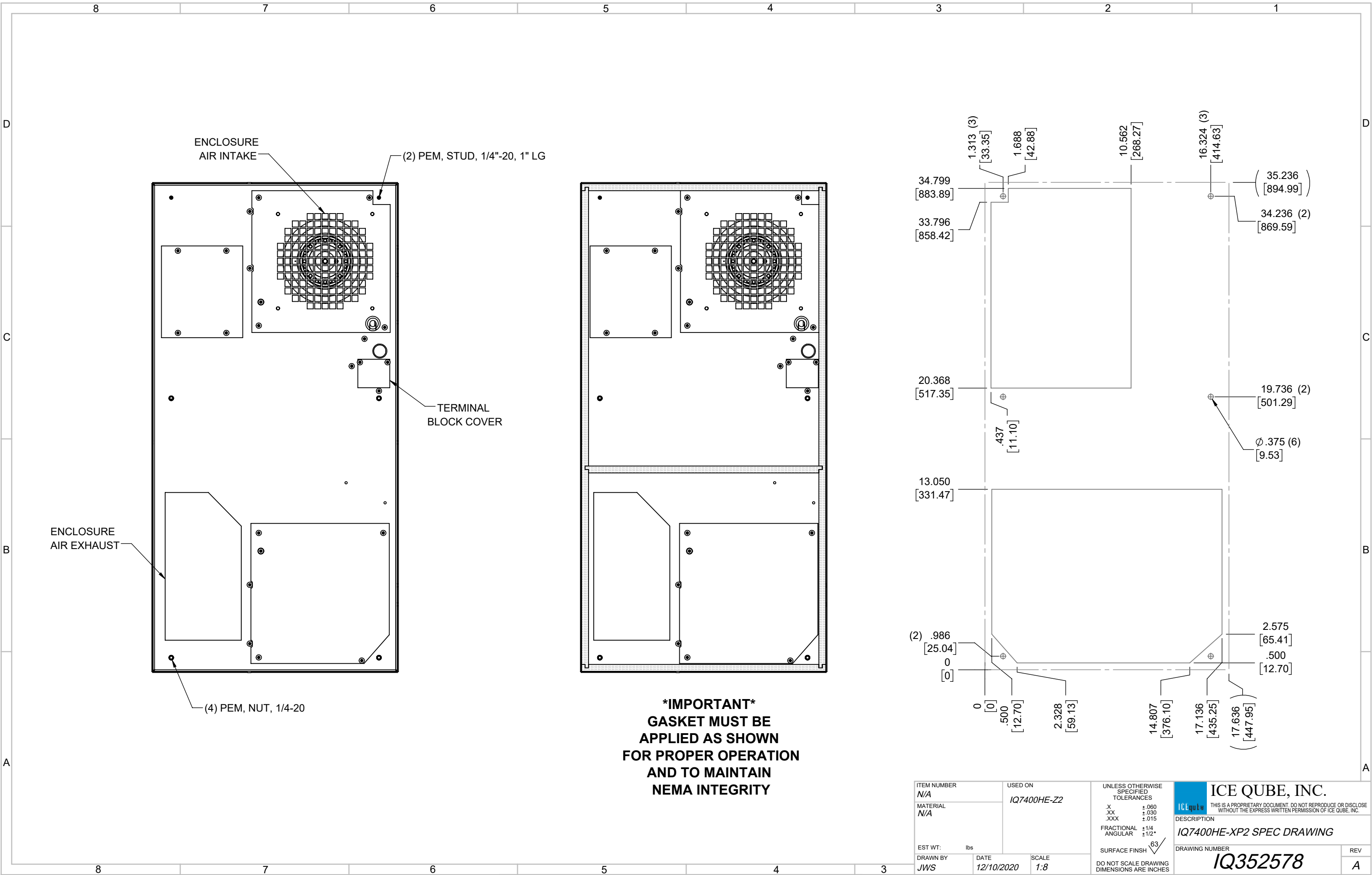
ICE QUBE, INC.

THIS IS A PROPRIETARY DOCUMENT. DO NOT REPRODUCE OR DISCLOSE WITHOUT THE EXPRESS WRITTEN PERMISSION OF ICE QUBE, INC.

DESCRIPTION
IQ7400HE-XP2 SPEC DRAWINGS

DRAWING NUMBER
IQ352578

REV
A



ITEM NUMBER N/A	USED ON IQ7400HE-Z2	UNLESS OTHERWISE SPECIFIED TOLERANCES X ±.060 .XX ±.030 .XXX ±.015	<p>ICE QUBE, INC. THIS IS A PROPRIETARY DOCUMENT. DO NOT REPRODUCE OR DISCLOSE WITHOUT THE EXPRESS WRITTEN PERMISSION OF ICE QUBE, INC.</p>
MATERIAL N/A		FRACTIONAL ±1/4 ANGULAR ±1/2°	
EST WT: lbs	DATE 12/10/2020	SCALE 1:8	DESCRIPTION IQ7400HE-XP2 SPEC DRAWING
DRAWN BY JWS			DRAWING NUMBER IQ352578
			REV A