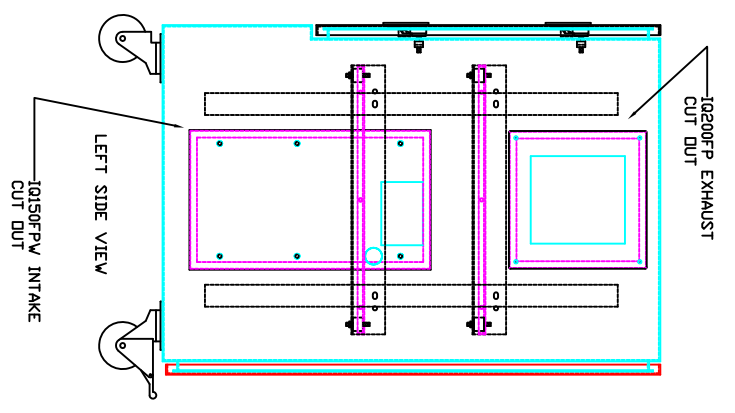
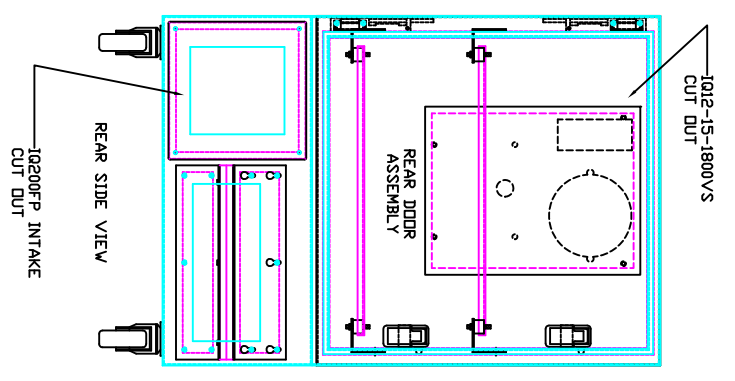
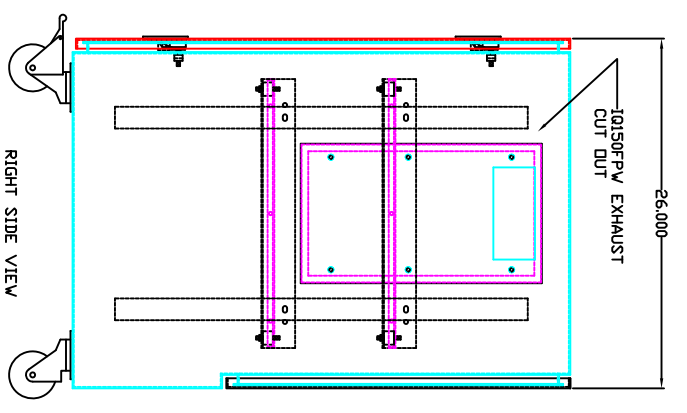
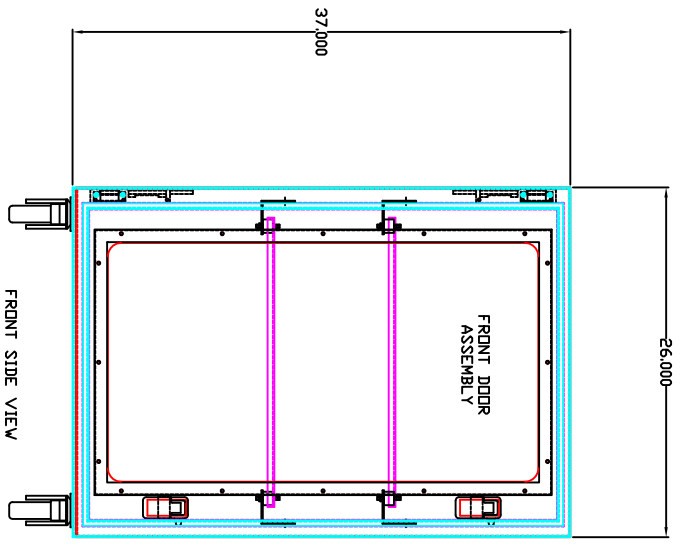


REVISIONS		DATE	CHECKED
REV	DESCRIPTION		

IQ37S-3 SPEC DWG.
REV 1 3-02-07



UNLESS OTHERWISE SPECIFIED
TOLERANCES:
X ± .050
XX ± .030
XXX ± .015
FRACTIONAL ± 1/16"
ANGULAR ± 1/2°

PROPRIETARY DRAWING
THIS DRAWING IS THE PROPERTY OF ICE
CUBE, INC. AND IS NOT TO BE REPRODUCED
OR ALTERED WITHOUT AUTHORIZATION OF
ICE CUBE, INC.

FILE	1037S SPEC DWG	INDUSTRIAL COOLING EQUIPMENT
PROJECTION	1st Angle	141 WILSON AVENUE
DRAWN	GFD	GREENSBURG, PA 15601
SCALE	NONE	724-837-2204 * 1-888-867-8234
DATE	3-22-07	FAX 724-837-3386
SHEET	1 OF 1	PART NAME
		IQ37S-3 SPEC
		DWG NO
		IQ270318
		REV
		0