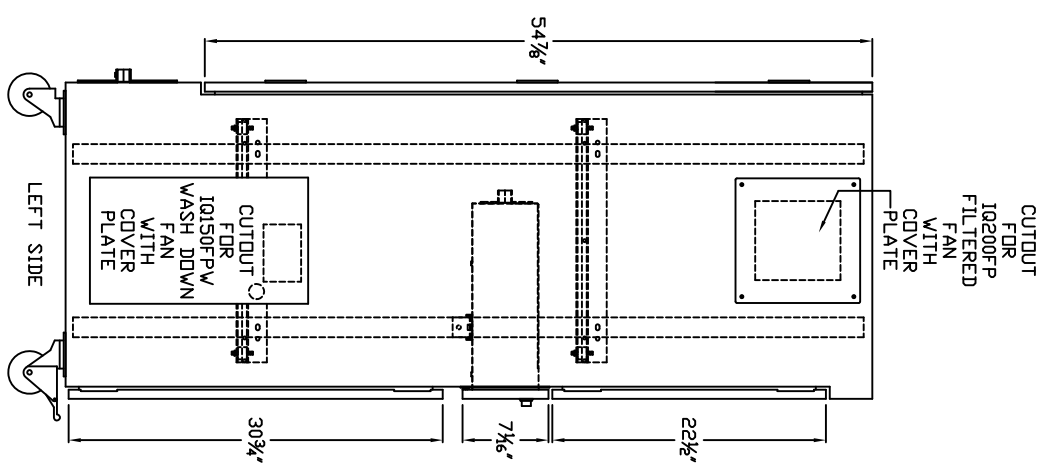
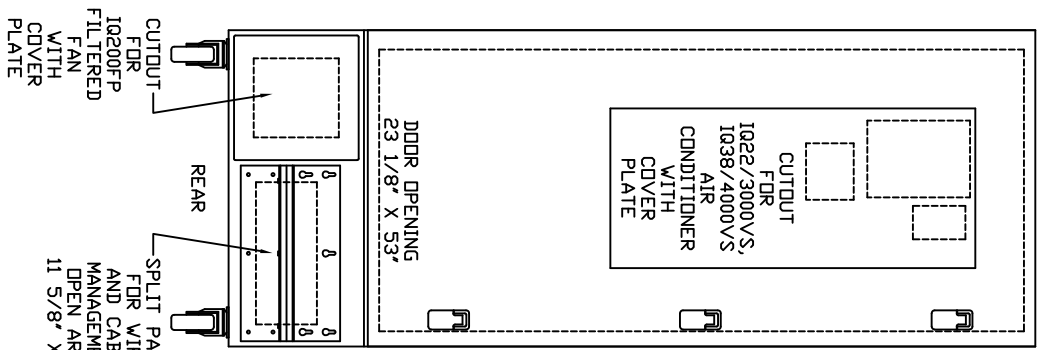
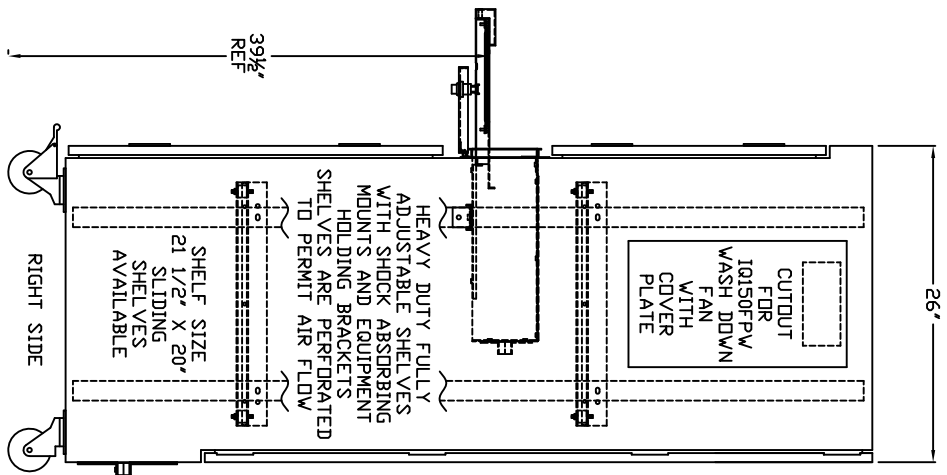
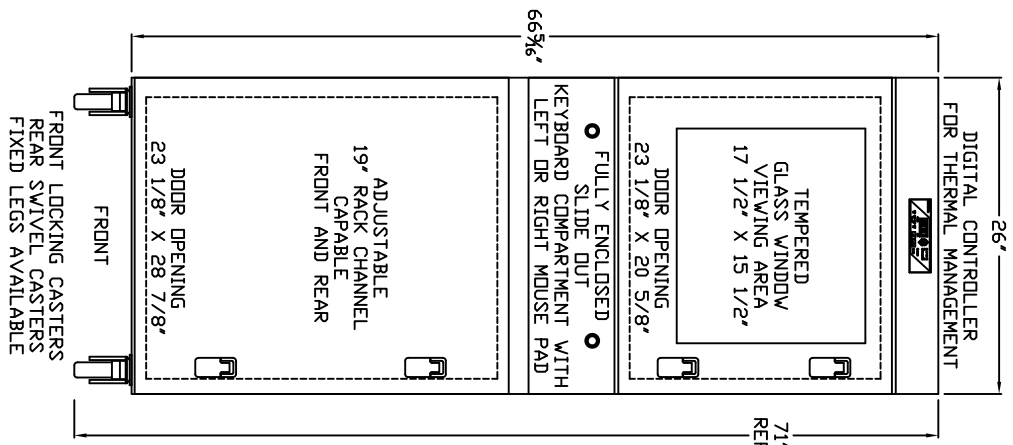


REV	DESCRIPTION	DATE	CHECKED
1	UPDATED	9-20-07	GFD

REVISIONS



ITEM	DESCRIPTION	MATERIAL	SUPPLIER	QTY

UNLESS OTHERWISE SPECIFIED TOLERANCES:	X ± .060	XX ± .030
	XXX ± .015	ANGULAR ± 1/16
PROPRIETARY DRAWING	THIS DRAWING IS THE PROPERTY OF ICE OR ALTERED WITHOUT AUTHORIZATION OF ICE CORP., INC.	

INDUSTRIAL COOLING EQUIPMENT	141 VINTON AVENUE	GREENSBURG, PA 15601	724-837-8204	1-888-667-8234	FAX 724-837-3386
ICE	1067S SPEC				
DRAWN	GFD	SCALE	NONE	DATE	3-22-07
SHEET	1 OF 1	DWG NO	10270319	REV	1