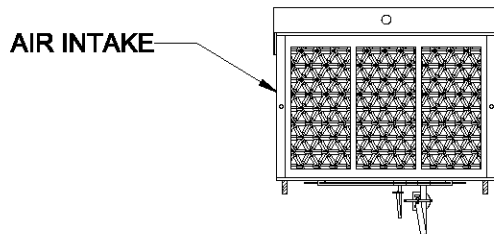
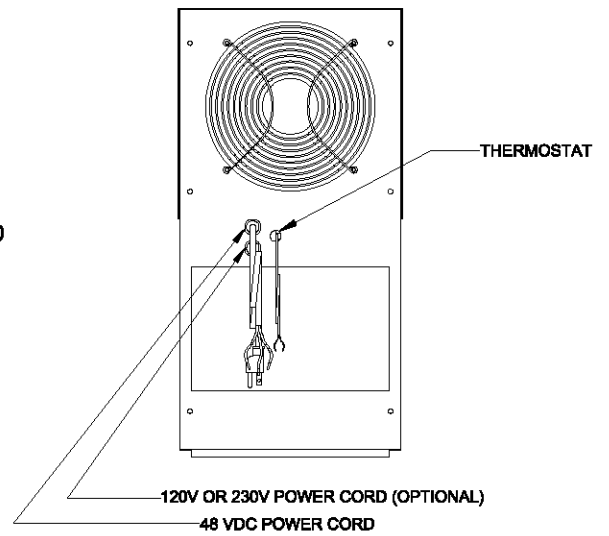
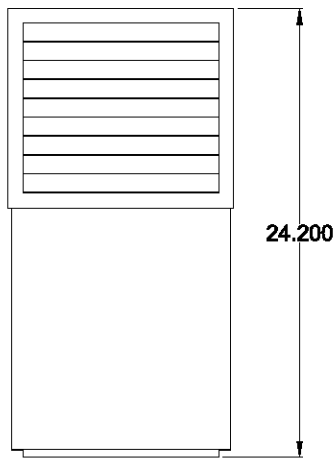
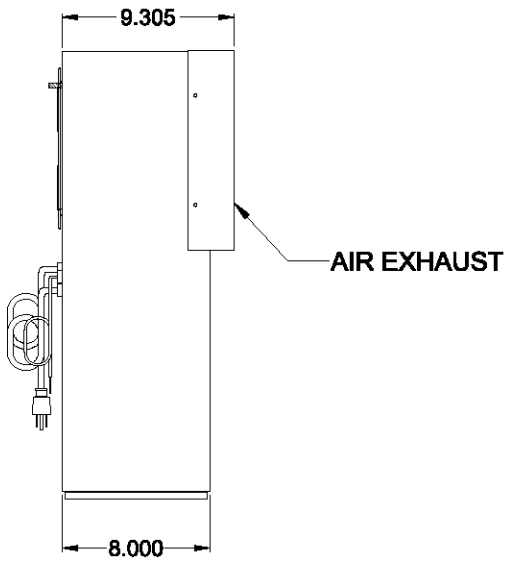
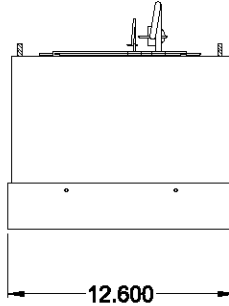
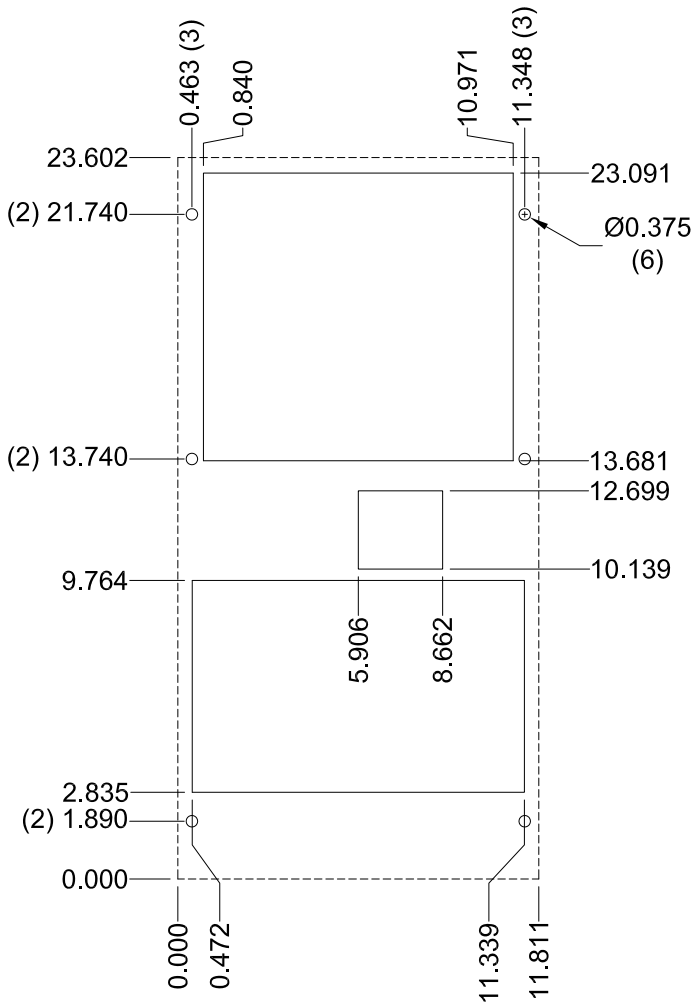


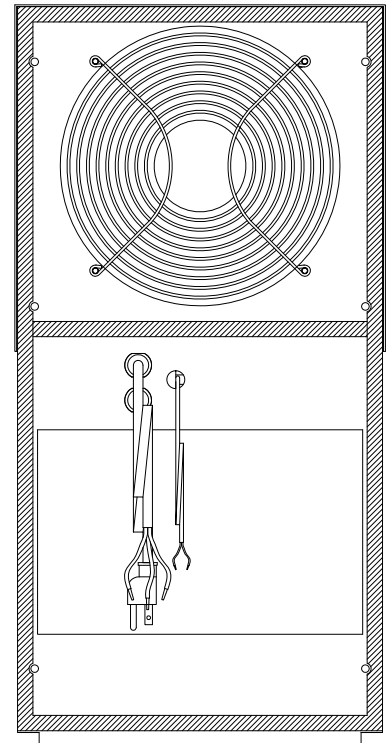
IQ500VP
500 CFM MAXIMUM
1.75 AMPS @ 48VDC
DIMENSIONS: 24.20"H X 12.60"W X 9.31"D
WEIGHT: 43 LBS.



IQ500VP CUTOUT DRAWING



GASKET DRAWING



**GASKET MUST BE
APPLIED AS SHOWN
FOR PROPER OPERATION
AND TO MAINTAIN
NEMA INTEGRITY**

PROPRIETARY DRAWING
THIS DRAWING IS THE PROPERTY OF I.E.E.
QUBE, INC. AND IS NOT TO BE REPRODUCED
OR ALTERED WITHOUT AUTHORIZATION OF
I.E.E. QUBE, INC.

DRAWN: JMH SCALE: NONE
DATE: 10-19-07
SHEET 2 OF 2

I.e.e.
Qube
INDUSTRIAL COOLING EQUIPMENT
141 WILSON AVENUE
GREENSBURG, PA 15601
724-837-2004 • 1-888-848-2244
FAX: 724-837-3388

IQ500VP

IQ300604

1