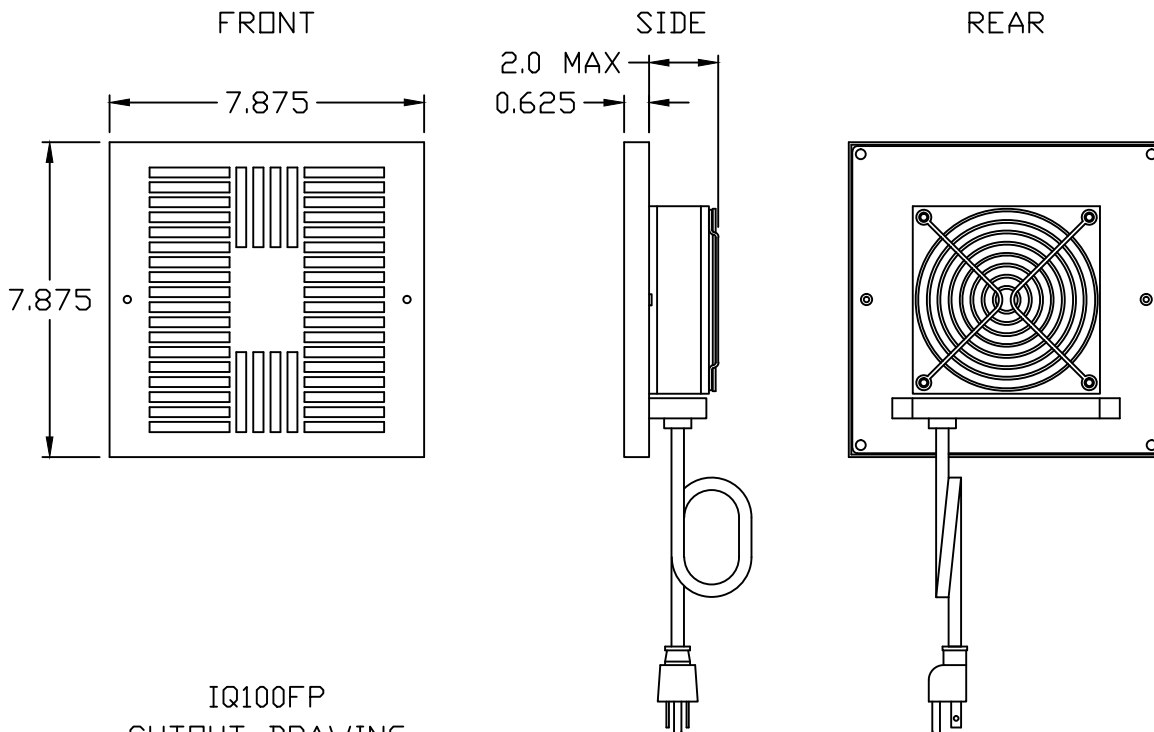
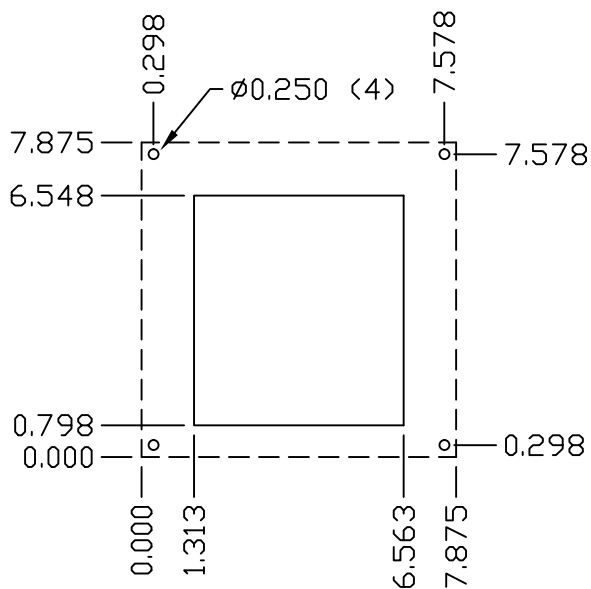


IQ100FP SPEC DRAWING

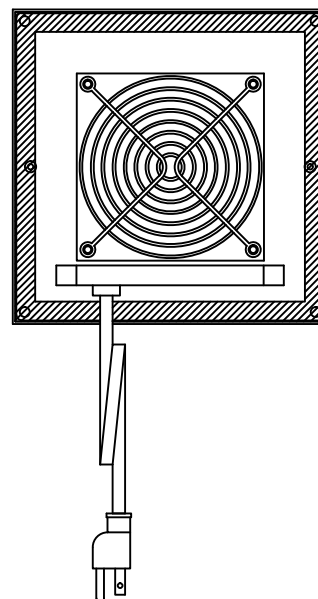
105/80 CFM FREE AIR @ 120/110 VAC 60/50 HZ
 PUSH-PULL : 210/160 CFM FREE AIR @ 120/110 VAC 60/50 HZ
 105/80 CFM FREE AIR @ 230/220 VAC 60/50 HZ
 PUSH-PULL : 210/160 CFM FREE AIR @ 230/220 VAC 60/50 HZ
 MAXIMUM AMPS : .14/.15 @ 120/110 VAC 60/50 HZ
 PUSH-PULL : MAXIMUM AMPS : .28/.30 @ 120/110 VAC 60/50 HZ
 MAXIMUM AMPS : .09/.10 @ 230/220 VAC 60/50 HZ
 PUSH-PULL : MAXIMUM AMPS : .18/.20 @ 230/220 VAC 60/50 HZ
 MAXIMUM OPERATING TEMPERATURE : 176°F
 WEIGHT: 5.5 LBS



IQ100FP
CUTOUT DRAWING



IQ100FP
GASKET
DRAWING



1	ADDED PUSH-PULL	6-12-17	RCC
0	INITIAL RELEASE	5-15-08	JJH
REV	DESCRIPTION	DATE	CHECKED
	REVISIONS		

PROPRIETARY DRAWING	BRW/JD	SCALE	NONE
THIS DRAWING IS THE PROPERTY OF ICE GUBE, INC. AND IS NOT TO BE REPRODUCED OR ALTERED WITHOUT AUTHORIZATION OF ICE GUBE, INC.	DATE	5-15-08	
	SHEET	1	OF 1

ICEgube <small>INDUSTRIAL COOLING EQUIPMENT 341 VILSON AVENUE BETHLEHEM, PA 18020 781-927-0204 • 1-800-947-0204 FAX 781-927-0206</small>	PART NAME	IQ100FP
	REV	1
	REV NO	IQ280304