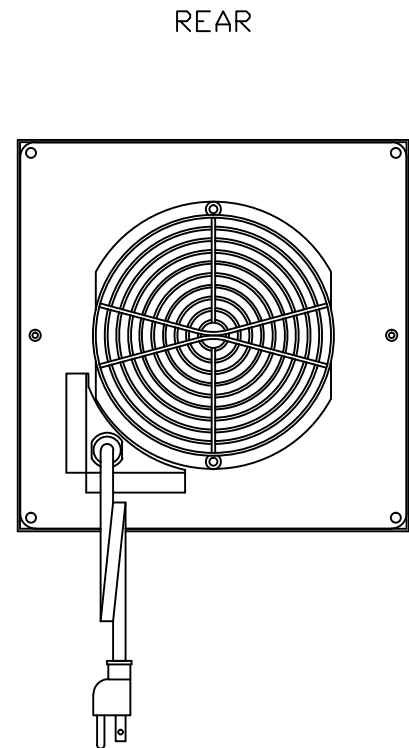
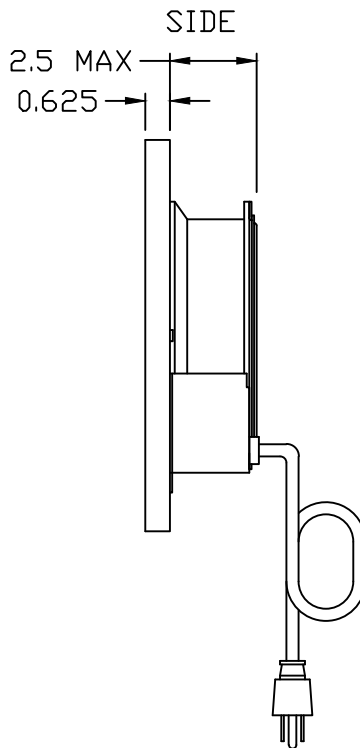
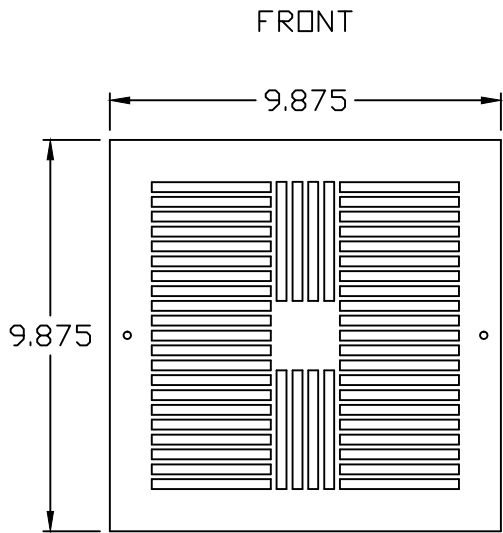
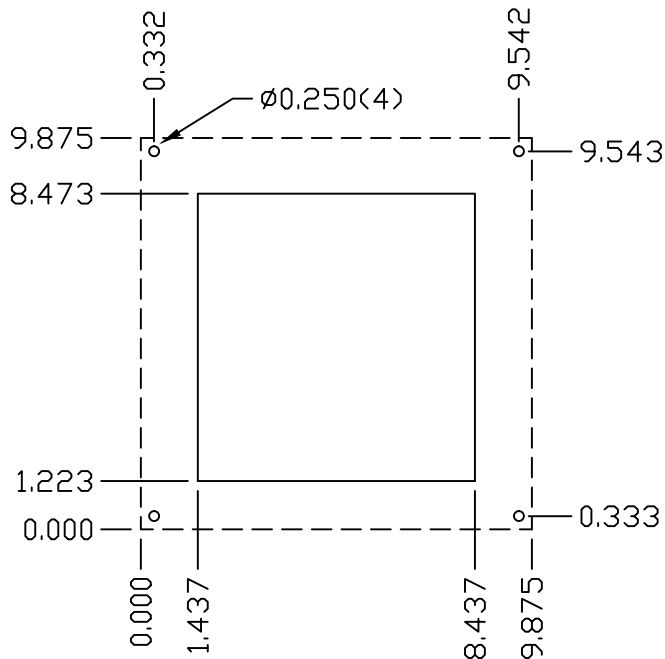


IQ200FP SPEC DRAWING

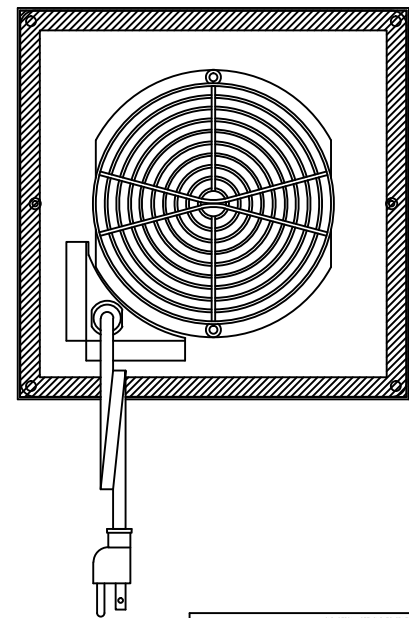
235/190 CFM FREE AIR @ 120/110 VAC 60/50 HZ
 PUSH-PULL : 470/380 CFM FREE AIR @ 120/110 VAC 60/50 HZ
 235/190 CFM FREE AIR @ 230/220 VAC 60/50 HZ
 PUSH-PULL : 470/380 CFM FREE AIR @ 230/220 VAC 60/50 HZ
 MAXIMUM AMPS : .35/.39 @ 120/110 VAC 60/50 HZ
 PUSH-PULL : MAXIMUM AMPS : .70/.78 @ 120/110 VAC 60/50 HZ
 MAXIMUM AMPS : .17/.19 @ 230/ 220 VAC 60/50 HZ
 PUSH-PULL : MAXIMUM AMPS : .34/.38 @ 230/220 VAC 60/50 HZ
 MAXIMUM OPERATING TEMPERATURE : 176°F
 WEIGHT: 5.5 LBS



**IQ200FP
CUTOUT DRAWING**



**IQ200FP
GASKET DRAWING**



1	ADDED PUSH-PULL	6-12-17	RCC
0	INITIAL RELEASE	5-15-08	JJH
REV	DESCRIPTION	DATE	CHECKED
	REVISIONS		

PROPRIETARY DRAWING
 THIS DRAWING IS THE PROPERTY OF ICE
 QUOTE, INC. AND IS NOT TO BE REPRODUCED
 OR ALTERED WITHOUT AUTHORIZATION BY
 ICE QUOTE, INC.

DRAWN	GED	SCALE	NONE
DATE	5-15-08		
SHEET 1 OF 1			

ICEquote
INDUSTRIAL COOLING EQUIPMENT
 100 VILLAGE SQUARE
 GARDEN CITY, NY 11530
 718-667-0000 • 1-800-667-0000
 FAX 718-667-0000

IQ200FP
IQ280306

1