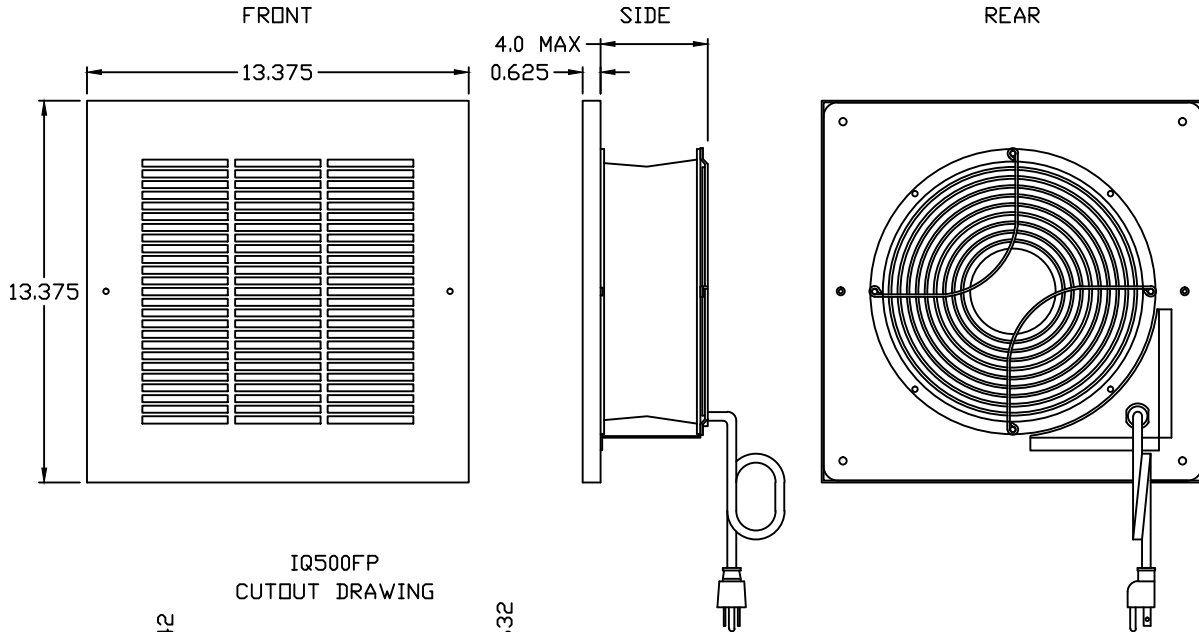


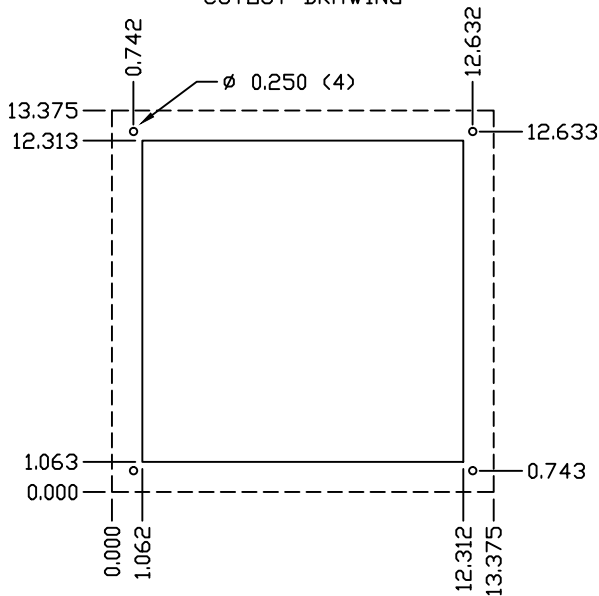
IQ500FP SPEC DRAWING

547/442 CFM FREE AIR @ 120/110 VAC 60/50 HZ
 PUSH-PULL : 1094/884 CFM FREE AIR @ 120/110 VAC 60/50 HZ
 547/442 CFM FREE AIR @ 230/220 VAC 60/50 HZ
 PUSH-PULL : 1094/884 CFM FREE AIR @ 230/220 VAC 60/50 HZ
 MAXIMUM AMPS : .28/.30 @ 120/110 VAC 60/50 HZ
 PUSH-PULL : MAXIMUM AMPS : .56/.60 @ 120/110 VAC 60/50 HZ
 MAXIMUM AMPS : .14/.15 @ 230/220 VAC 60/50 HZ
 PUSH-PULL : MAXIMUM AMPS : .28/.30 @ 230/220 VAC 60/50 HZ
 MAXIMUM OPERATING TEMPERATURE : 158°F

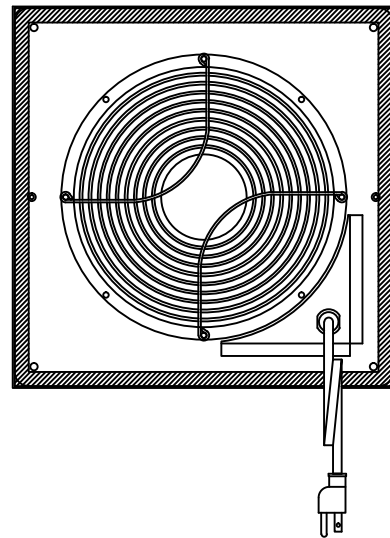
WEIGHT: 15 LBS



IQ500FP
CUTOUT DRAWING



IQ500FP
GASKET DRAWING



1	ADDED PUSH-PULL	6-12-17	RCC
0	INITIAL RELEASE	5-15-08	JJH
REV	DESCRIPTION	DATE	CHECKED
	REVISIONS		

PROPRIETARY DRAWING	DRAWN	SCALE
THIS DRAWING IS THE PROPERTY OF IQC	GED	NONE
OR ANY OTHER COMPANY OR INDIVIDUAL	DATE	5-15-08
IQC, INC.	SHEET	1 DF 1

	<small>INDUSTRIAL COOLING EQUIPMENT 341 VALDEN AVENUE GREENSBURG, PA 15602 724-837-2204 • 1-800-957-9234 FAX 724-837-2206</small>
	IQ500FP
	IQ280307
	1